



**STARK WIE EIN STIER**

# SERRATED PROFILE 22/40/2,0 (vertical) ON ALUMINIUM SUPPORTING SUBSTRATES

## CAD DETAILS

### CONTENTS:

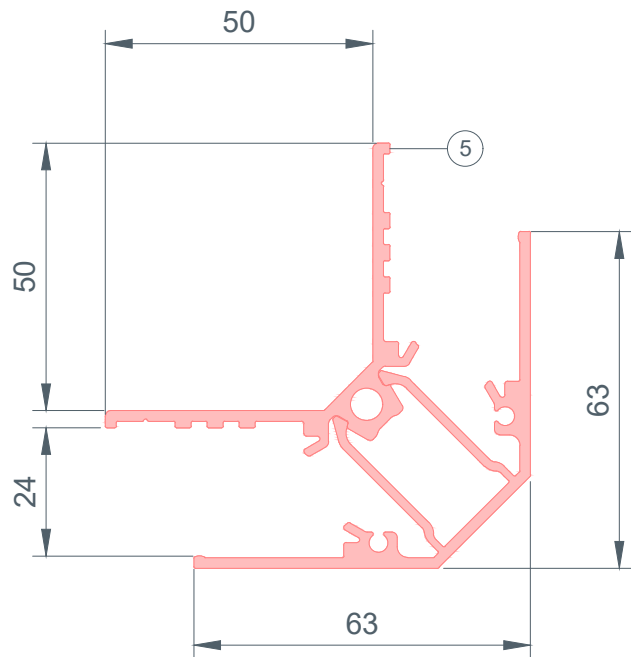
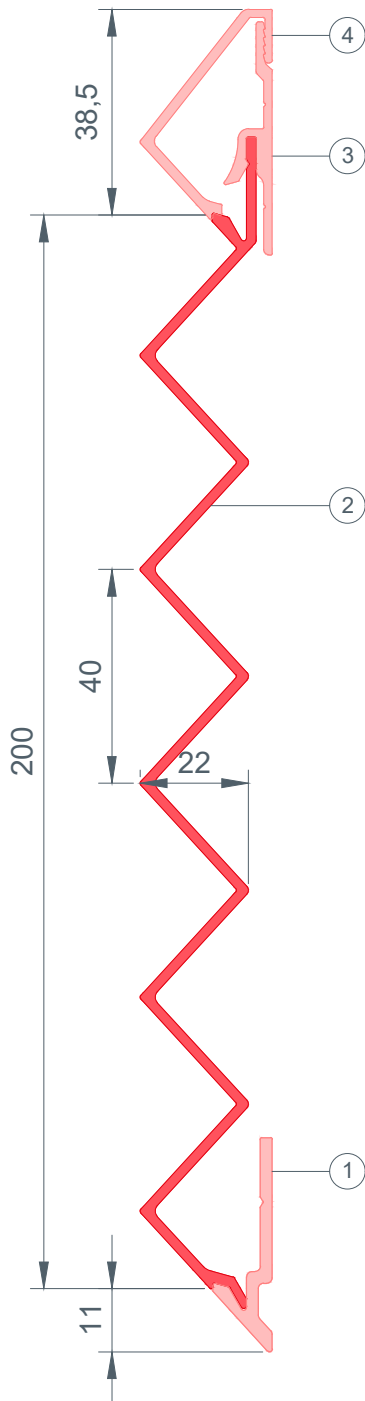
- 2 vertical cross-section – product overview
- 3 vertical cross-section – wall bracket
- 4 vertical cross-section – bottom connection
- 5 vertical cross-section – storey separation
- 6 horizontal cross-section – wall connection
- 7 horizontal cross-section – external corner
- 8 horizontal cross-section – internal corner
- 9 vertical cross-section – window ledge
- 10 horizontal cross-section – window reveals
- 11 vertical cross-section – window lintel
- 12 vertical cross-section – window lintel with blinds
- 13 horizontal cross-section – joint connection
- 14 vertical cross-section – top connection
- 15 vertical cross-section – roof parapet



STARK WIE EIN STIER

# product overview SERRATED PROFILE 22/40/2,0 (vertical)

## CAD DETAILS

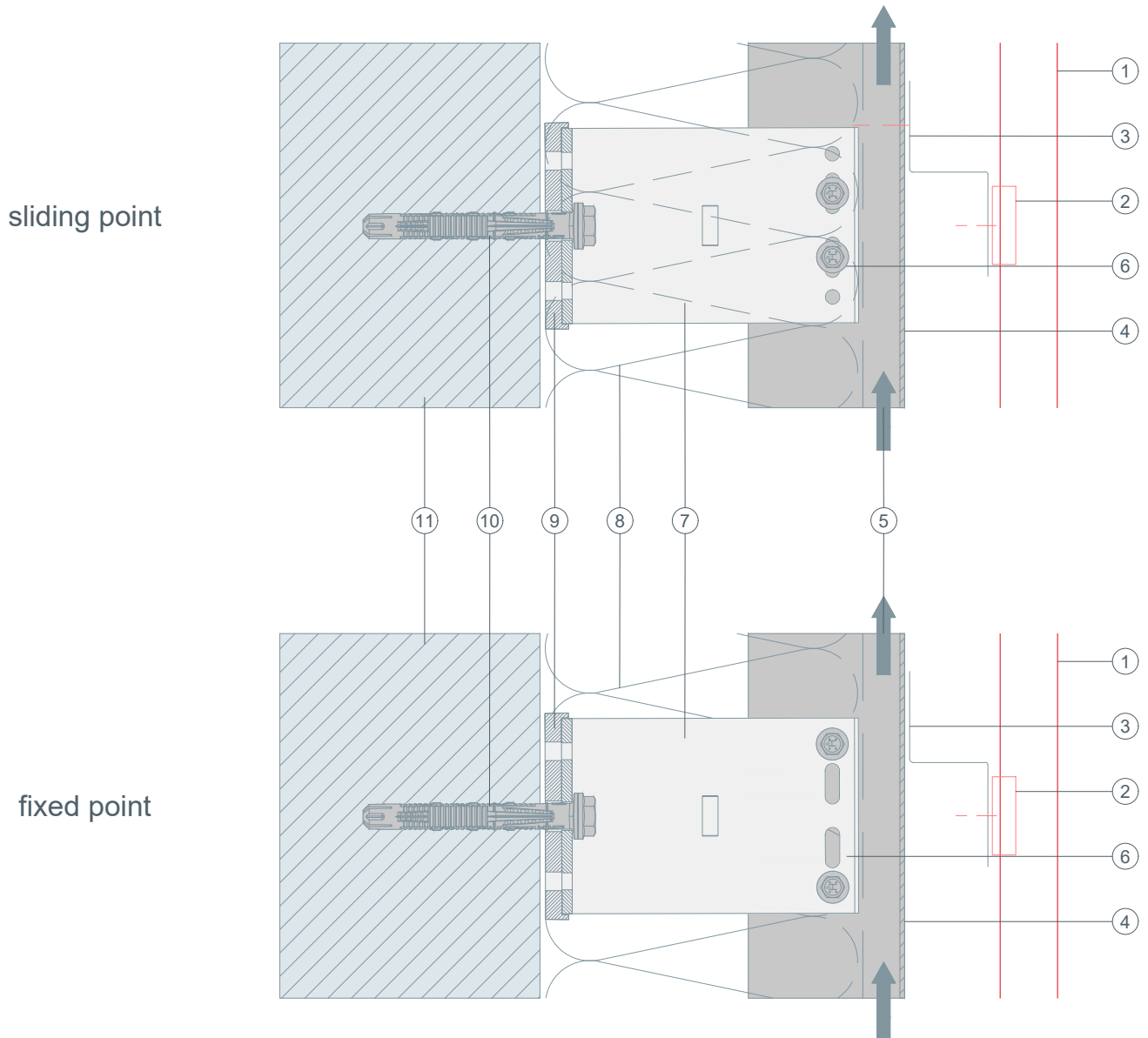


- ① SERRATED PROFILE 22/40/2,0 (vertical)
- ② starter profile for serrated profile (PREFA)
- ③ closing profile for serrated profile (PREFA)
- ④ sliding clip for serrated profile
- ⑤ corner profil for serrated profile



STARK WIE EIN STIER

# wall bracket vertical cross-section SERRATED PROFILE 22/40/2,0 (vertical) CAD DETAILS

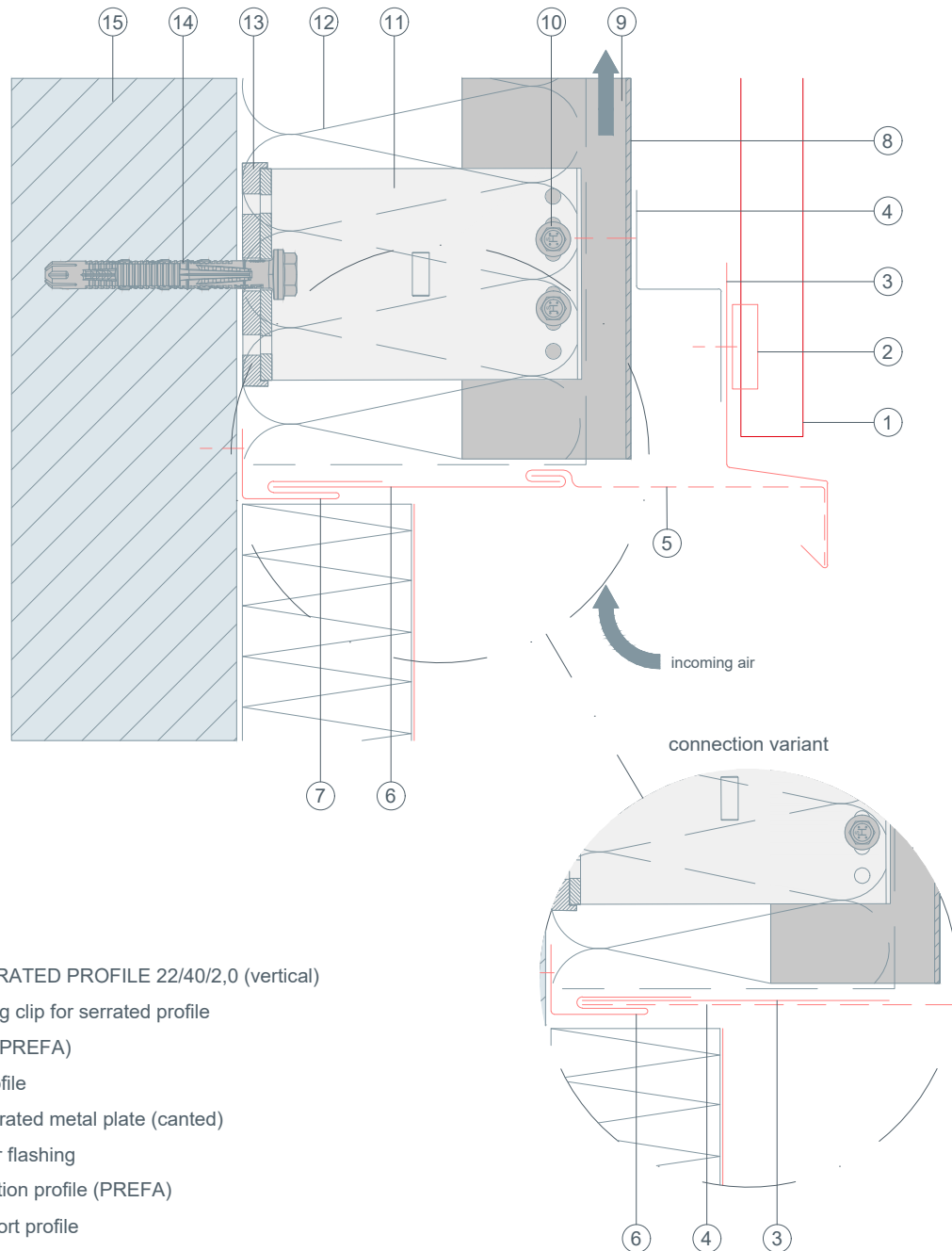


- ① SERRATED PROFILE 22/40/2,0 (vertical)
- ② sliding clip for serrated profile
- ③ Z-profile
- ④ support profile
- ⑤ ventilation gap
- ⑥ connection screw
- ⑦ space bracket
- ⑧ insulation
- ⑨ thermal break
- ⑩ fastener driven into the supporting structure
- ⑪ structural substrate



STARK WIE EIN STIER

# bottom connection vertical cross-section SERRATED PROFILE 22/40/2,0 (vertical) CAD DETAILS

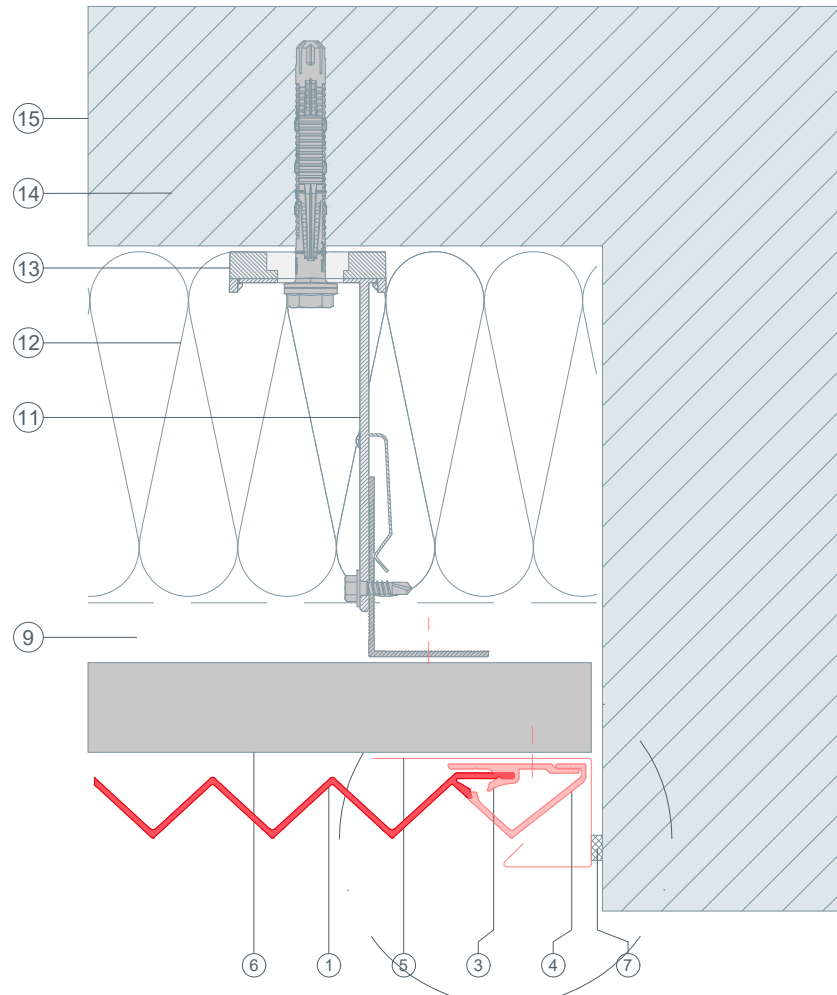


- ① SERRATED PROFILE 22/40/2,0 (vertical)
- ② sliding clip for serrated profile
- ③ drip (PREFA)
- ④ Z-profile
- ⑤ perforated metal plate (canted)
- ⑥ cover flashing
- ⑦ insertion profile (PREFA)
- ⑧ support profile
- ⑨ ventilation gap
- ⑩ connection screw
- ⑪ space bracket
- ⑫ insulation
- ⑬ thermal break
- ⑭ fastener driven into the supporting structure
- ⑮ structural substrate



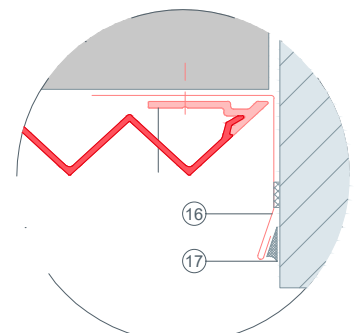
STARK WIE EIN STIER

# wall connection horizontal cross-section SERRATED PROFILE 22/40/2,0 (vertical) CAD DETAILS



- ① SERRATED PROFILE 22/40/2,0 (vertical)
- ② starter profile for serrated profile (PREFA)
- ③ sliding clip for serrated profile
- ④ closing profile for serrated profile (PREFA)
- ⑤ channel profile (canted)
- ⑥ Z-profile
- ⑦ sealing tape
- ⑧ support profile
- ⑨ ventilation gap
- ⑩ connection screw
- ⑪ space bracket
- ⑫ insulation
- ⑬ thermal break
- ⑭ fastener driven into the supporting structure
- ⑮ structural substrate
- ⑯ wall bracket
- ⑰ permanently elastic sealing joint

connection variant

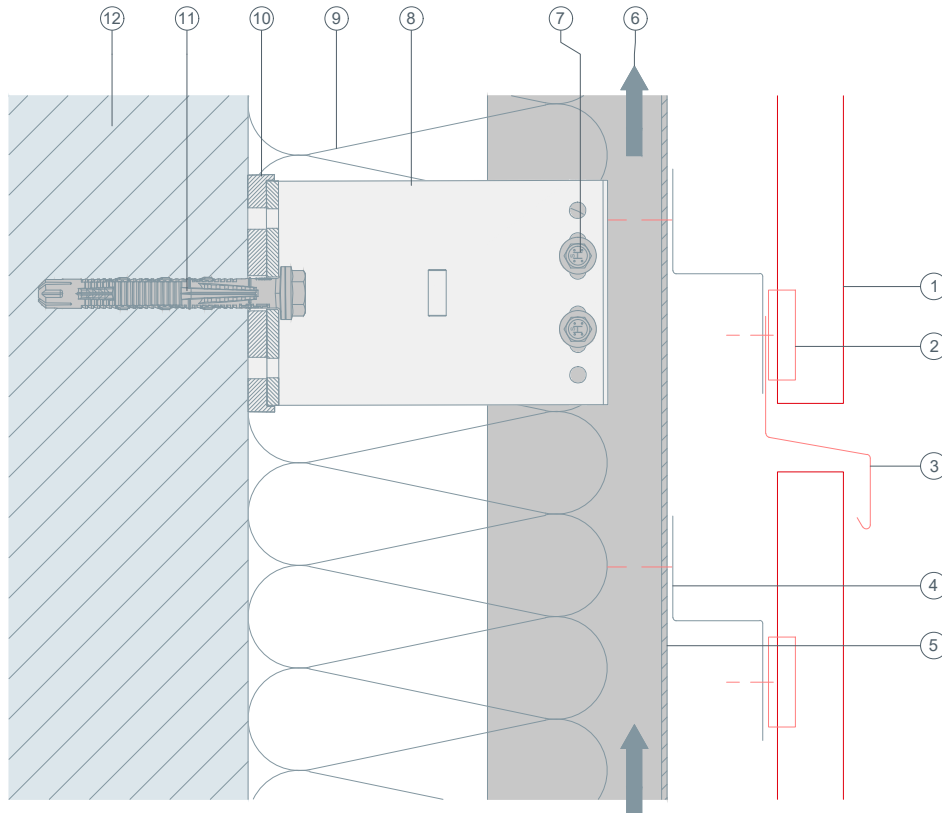




STARK WIE EIN STIER

# storey separation vertical cross-section SERRATED PROFILE 22/40/2,0 (vertical)

## CAD DETAILS



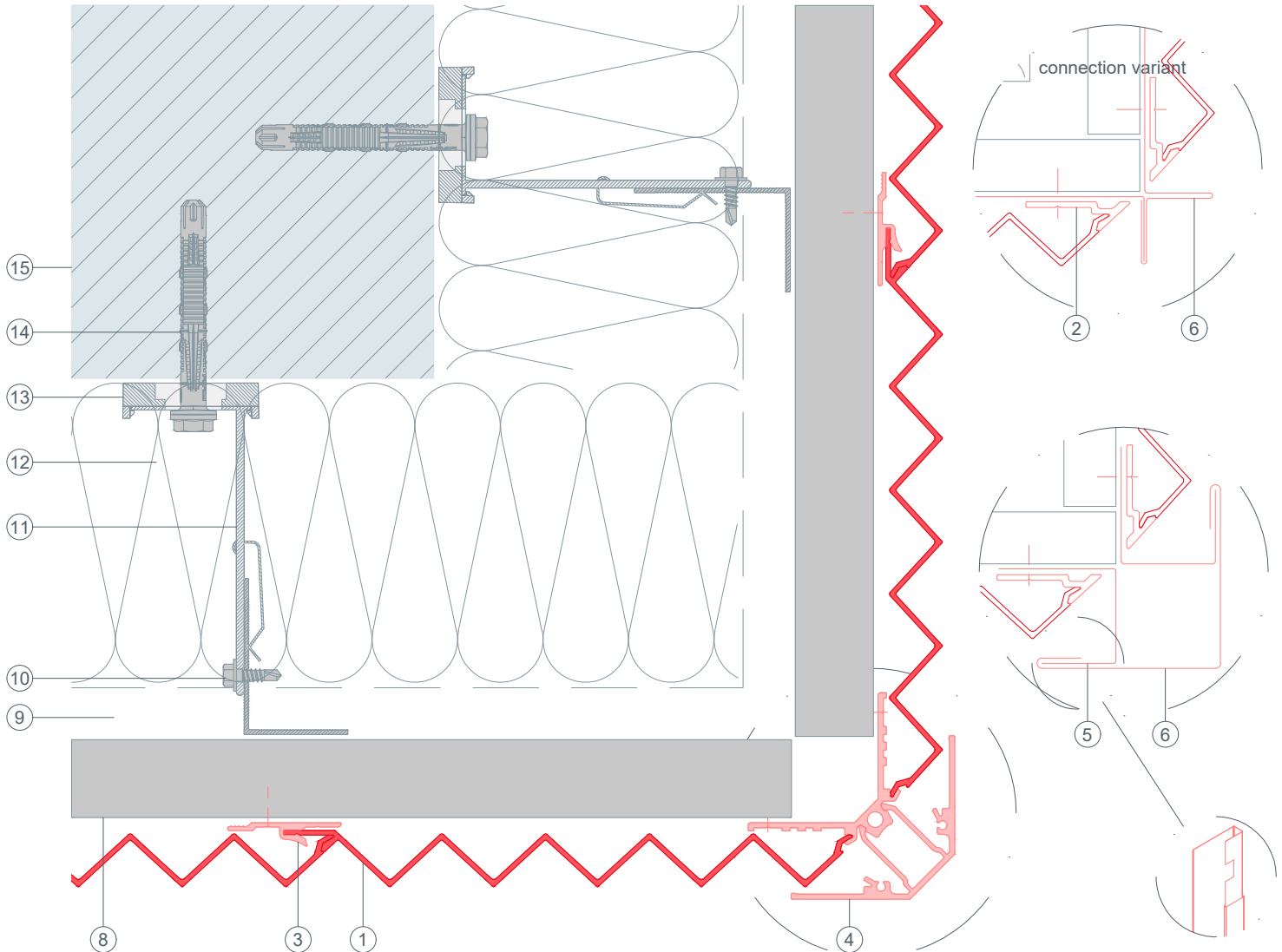
- ① SERRATED PROFILE 22/40/2,0 (vertical)
- ② sliding clip for serrated profile
- ③ drip (PREFA)
- ④ Z-profile
- ⑤ support profile
- ⑥ ventilation gap
- ⑦ connection screw
- ⑧ space bracket
- ⑨ insulation
- ⑩ thermal break
- ⑪ fastener driven into the supporting structure
- ⑫ structural substrate



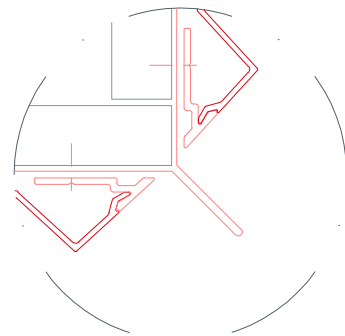
STARK WIE EIN STIER

# external corner horizontal cross-section SERRATED PROFILE 22/40/2,0 (vertical)

## CAD DETAILS



- ① SERRATED PROFILE 22/40/2,0 (vertical)
- ② starter profile for serrated profile (PREFA)
- ③ sliding clip for serrated profile
- ④ external corner für Zackenprofil
- ⑤ channel profile (canted)
- ⑥ external corner flashing
- ⑦ Z-profile
- ⑧ support profile
- ⑨ ventilation gap
- ⑩ connection screw
- ⑪ space bracket
- ⑫ insulation
- ⑬ thermal break
- ⑭ fastener driven into the supporting structure
- ⑮ structural substrate

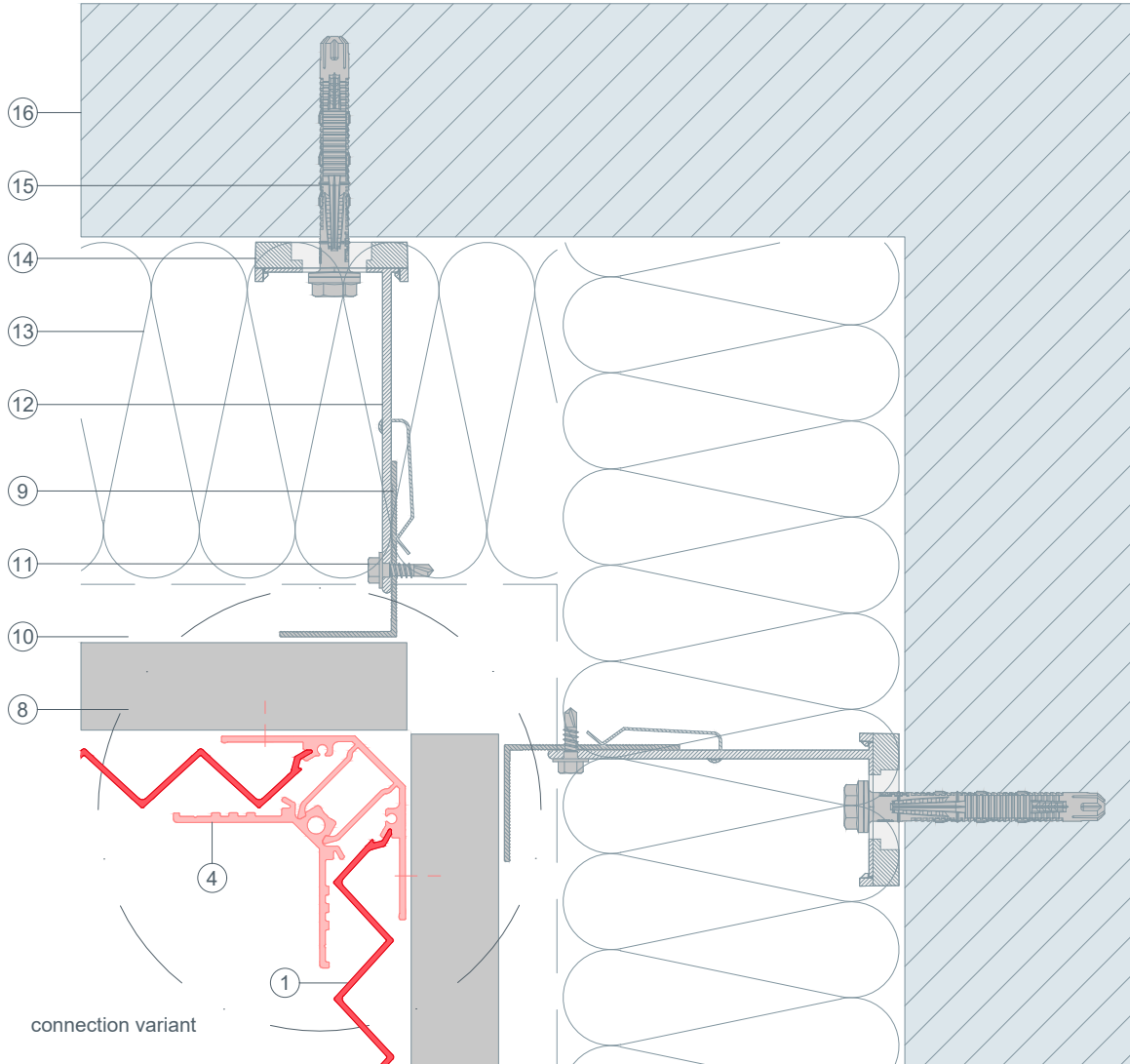




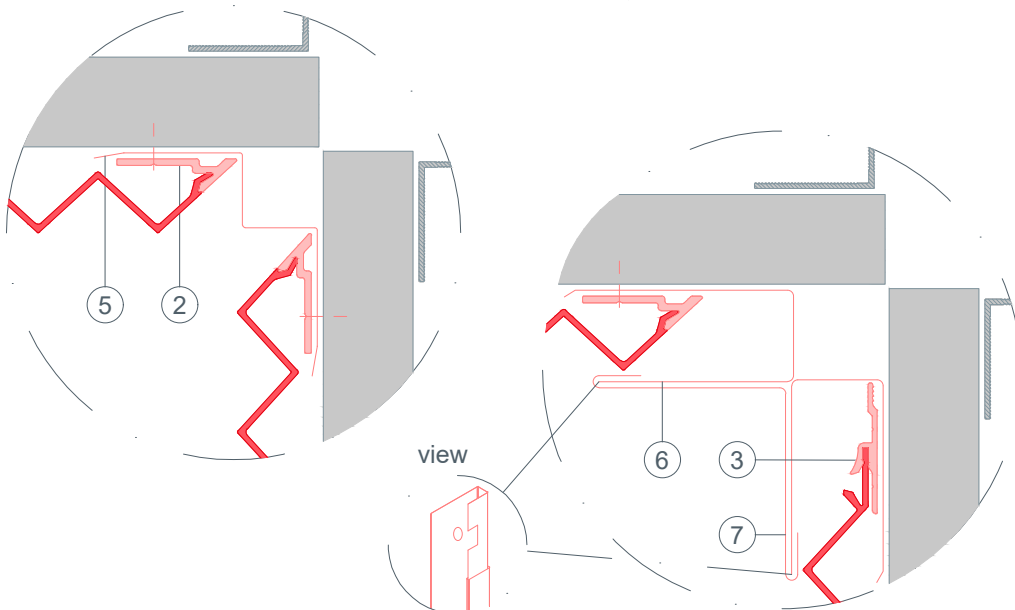
STARK WIE EIN STIER

# internal corner horizontal cross-section SERRATED PROFILE 22/40/2,0 (vertical)

CAD DETAILS



connection variant



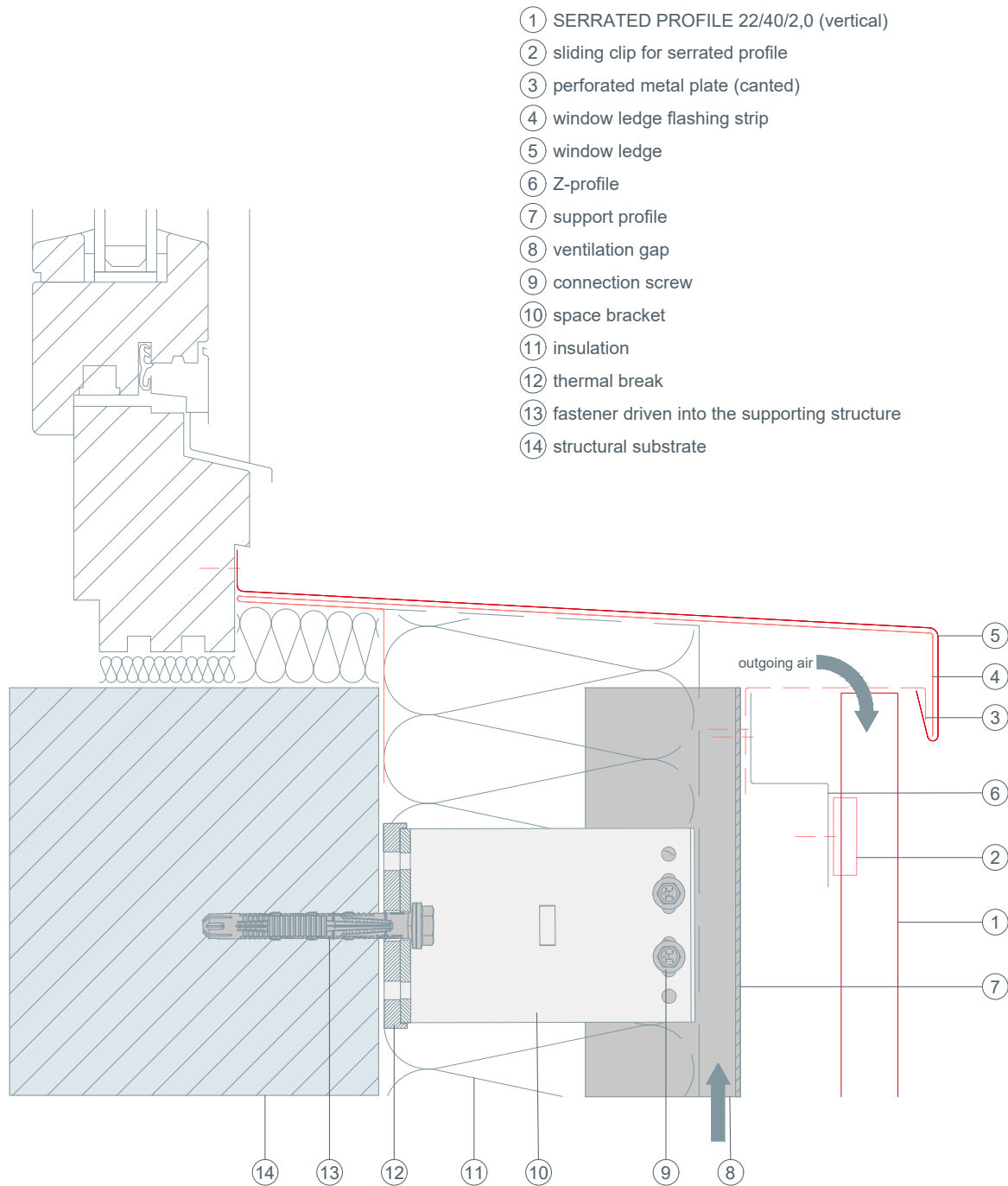
- ① SERRATED PROFILE 22/40/2,0 (vertical)
- ② starter profile for serrated profile (PREFA)
- ③ sliding clip for serrated profile
- ④ corner profil for serrated profile
- ⑤ internal corner
- ⑥ channel profile (canted)
- ⑦ internal corner (canted)
- ⑧ Z-profile
- ⑨ support profile
- ⑩ ventilation gap
- ⑪ connection screw
- ⑫ space bracket
- ⑬ insulation
- ⑭ thermal break
- ⑮ fastener driven into the supporting structure
- ⑯ structural substrate





STARK WIE EIN STIER

# window ledge vertical cross-section SERRATED PROFILE 22/40/2,0 (vertical) CAD DETAILS

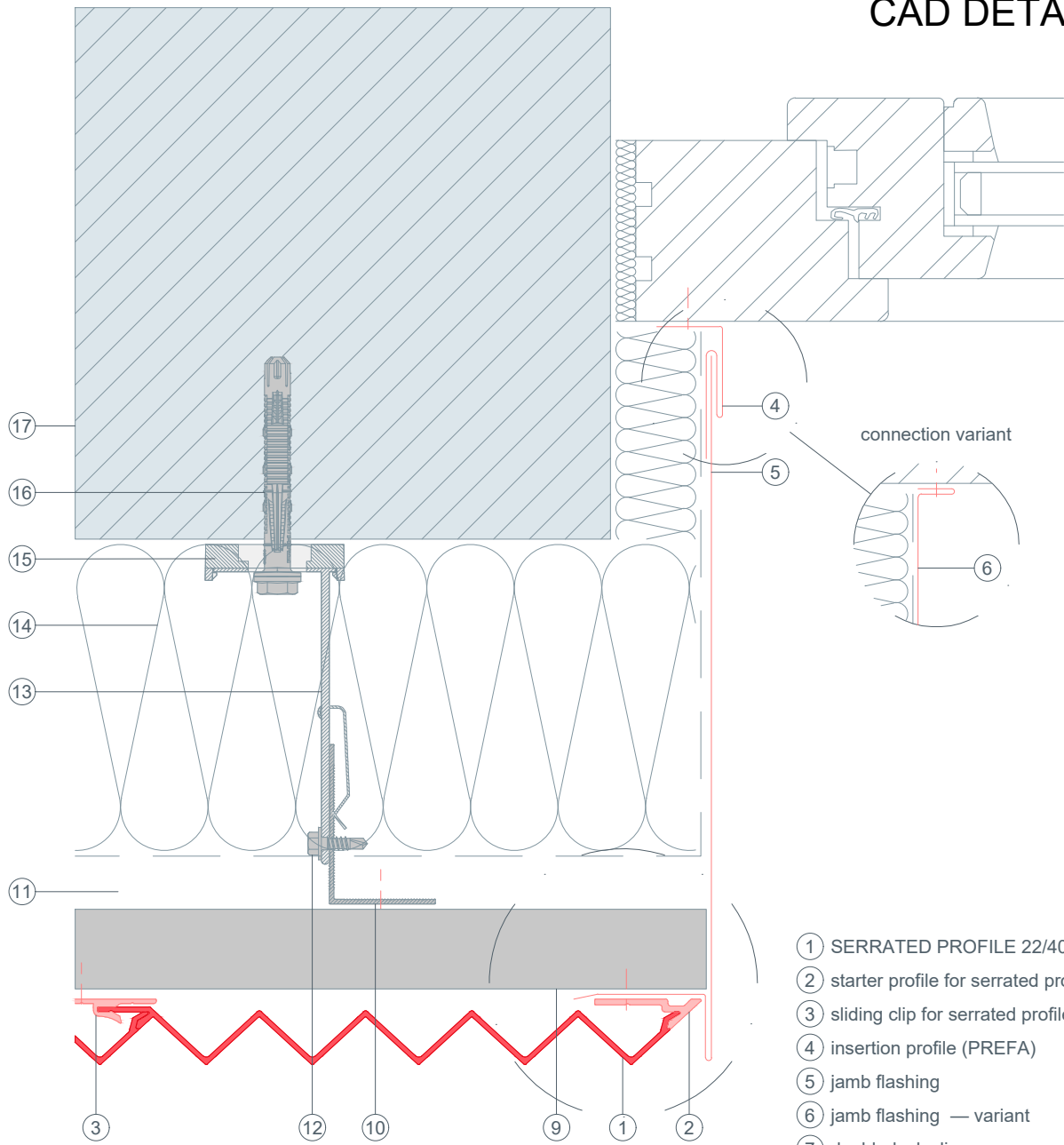




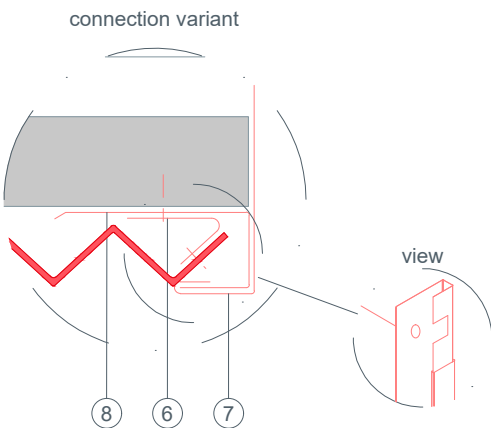
STARK WIE EIN STIER

# window reveals horizontal cross-section SERRATED PROFILE 22/40/2,0 (vertical)

## CAD DETAILS



- ① SERRATED PROFILE 22/40/2,0 (vertical)
- ② starter profile for serrated profile (PREFA)
- ③ sliding clip for serrated profile
- ④ insertion profile (PREFA)
- ⑤ jamb flashing
- ⑥ jamb flashing — variant
- ⑦ double-lock clip
- ⑧ channel profile (canted)
- ⑨ Z-profile
- ⑩ support profile
- ⑪ ventilation gap
- ⑫ connection screw
- ⑬ space bracket
- ⑭ insulation
- ⑮ thermal break
- ⑯ fastener driven into the supporting structure
- ⑰ structural substrate

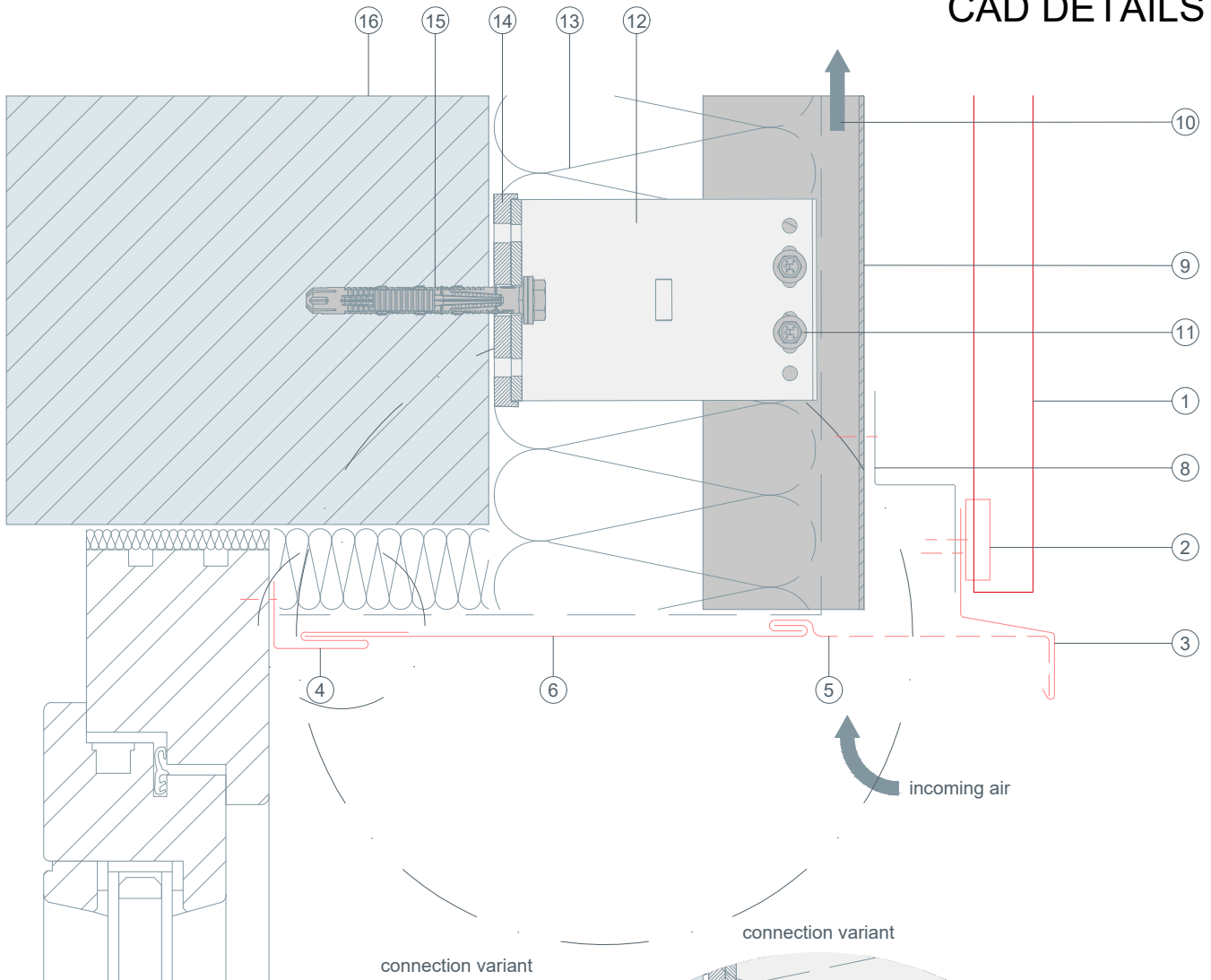




STARK WIE EIN STIER

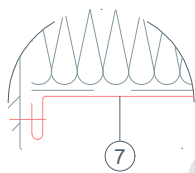
# window lintel vertical cross-section SERRATED PROFILE 22/40/2,0 (vertical)

CAD DETAILS

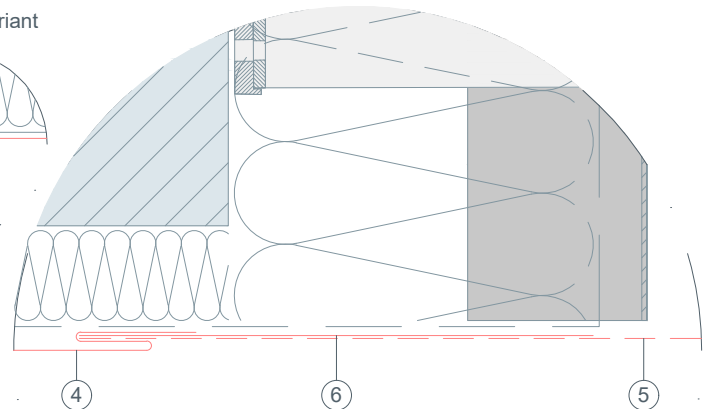


- ① SERRATED PROFILE 22/40/2,0 (vertical)
- ② sliding clip for serrated profile
- ③ drip (PREFA)
- ④ insertion profile (PREFA)
- ⑤ perforated metal plate (canted)
- ⑥ cover flashing
- ⑦ connection variant
- ⑧ Z-profile
- ⑨ support profile
- ⑩ ventilation gap
- ⑪ connection screw
- ⑫ space bracket
- ⑬ insulation
- ⑭ thermal break
- ⑮ fastener driven into the supporting structure
- ⑯ structural substrate

connection variant



connection variant



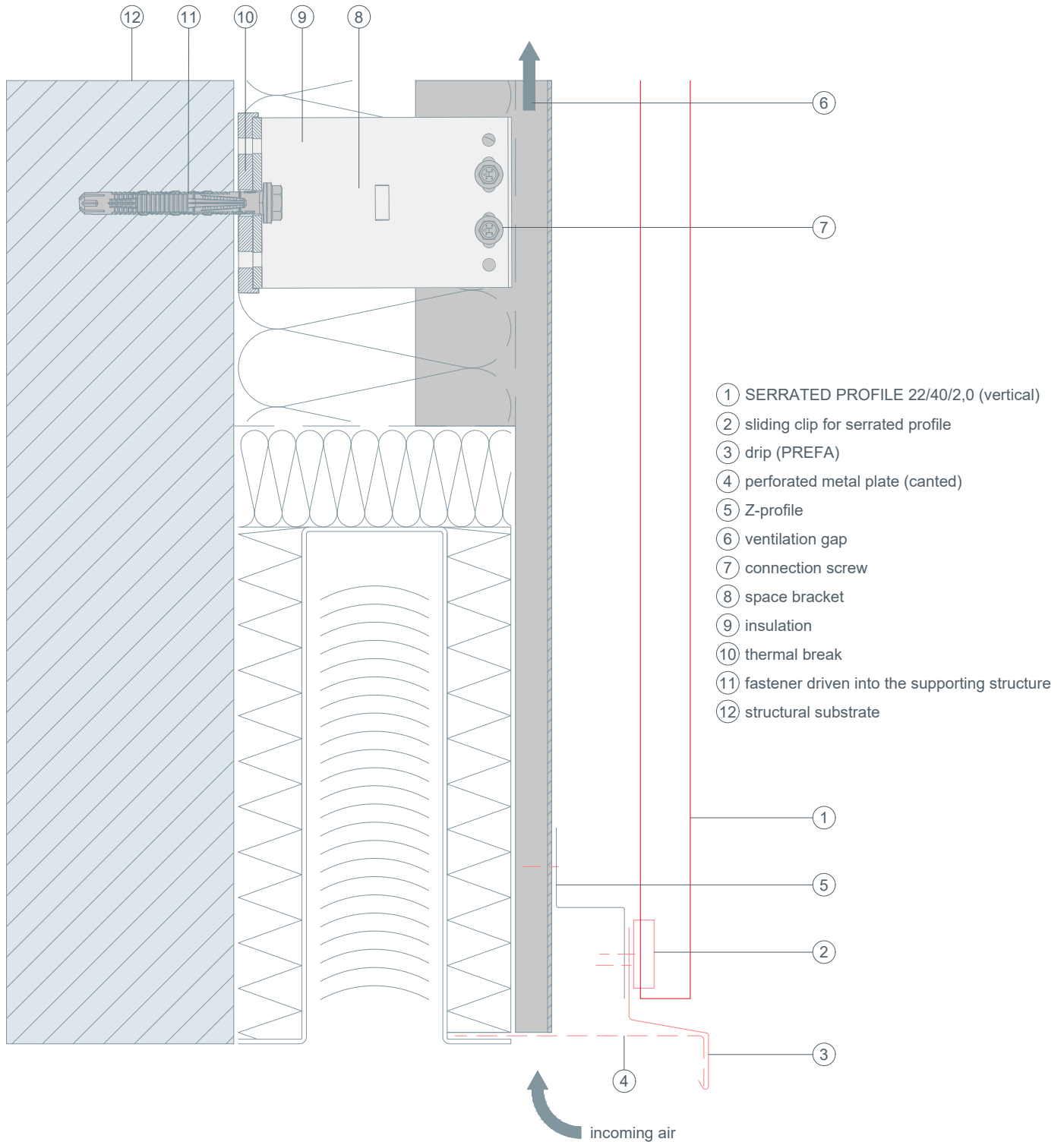
incoming air



STARK WIE EIN STIER

# window lintel with blinds vertical cross-section SERRATED PROFILE 22/40/2,0 (vertical)

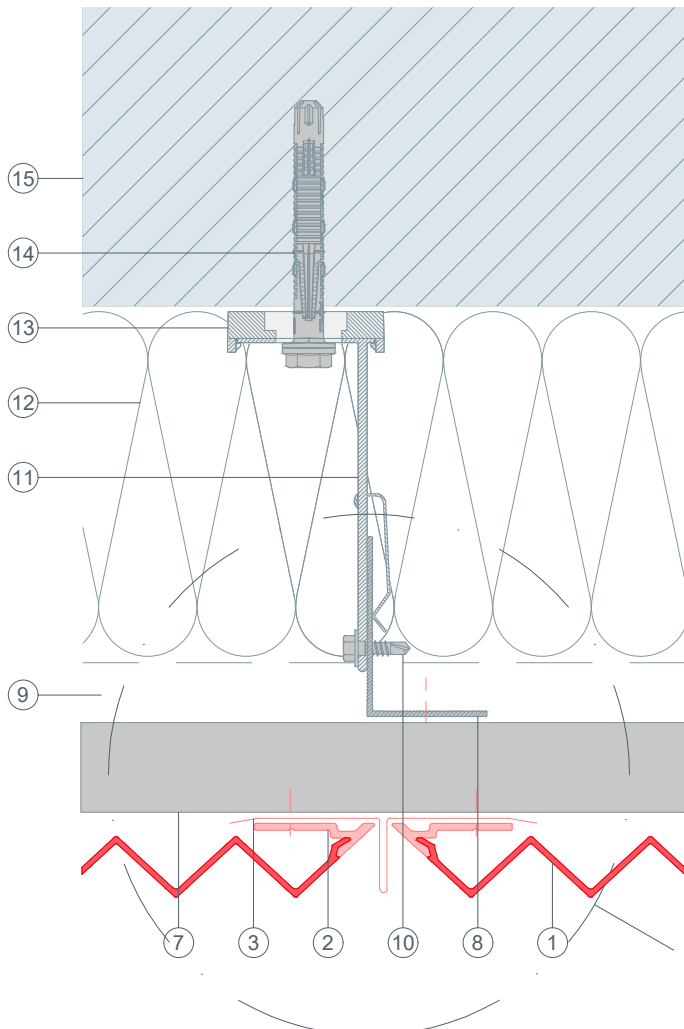
## CAD DETAILS



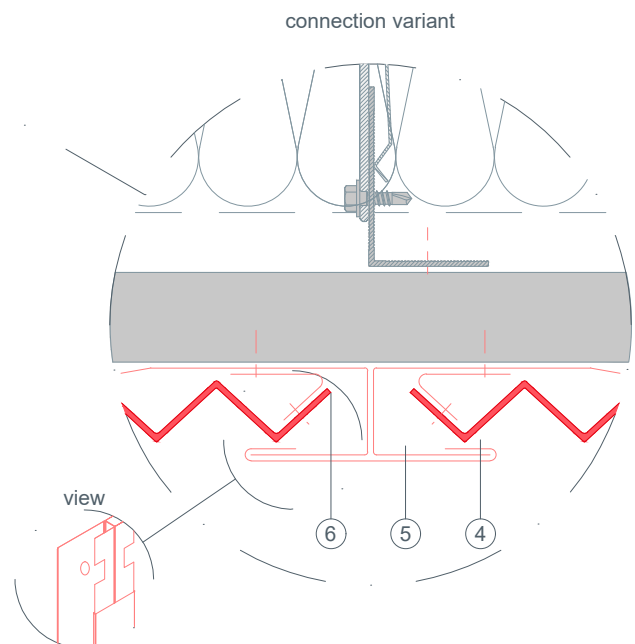


STARK WIE EIN STIER

# joint connection horizontal cross-section SERRATED PROFILE 22/40/2,0 (vertical) CAD DETAILS



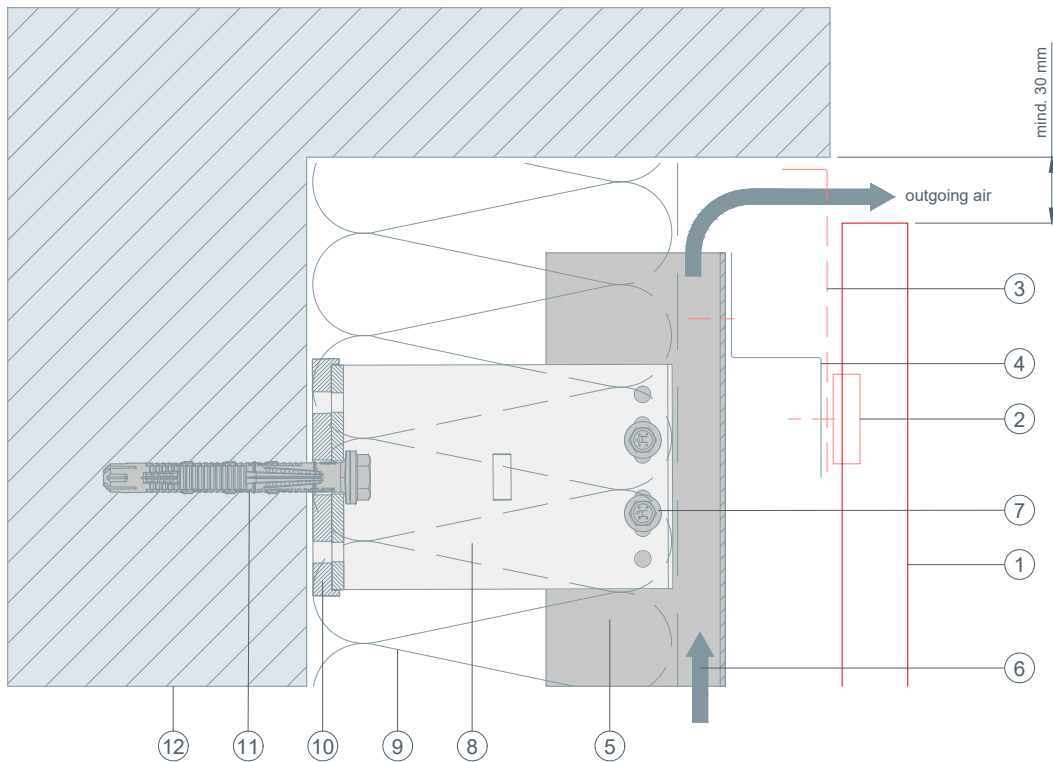
- ① SERRATED PROFILE 22/40/2,0 (vertical)
- ② starter profile for serrated profile (PREFA)
- ③ joint connection (PREFA)
- ④ channel profile (canted)
- ⑤ cover for joint connection
- ⑥ double-lock clip
- ⑦ Z-profile
- ⑧ support profile
- ⑨ ventilation gap
- ⑩ connection screw
- ⑪ space bracket
- ⑫ insulation
- ⑬ thermal break
- ⑭ fastener driven into the supporting structure
- ⑮ structural substrate





STARK WIE EIN STIER

# top connection vertical cross-section SERRATED PROFILE 22/40/2,0 (vertical) CAD DETAILS



- ① SERRATED PROFILE 22/40/2,0 (vertical)
- ② sliding clip for serrated profile
- ③ perforated metal plate (canted)
- ④ Z-profile
- ⑤ support profile
- ⑥ ventilation gap
- ⑦ connection screw
- ⑧ space bracket
- ⑨ insulation
- ⑩ thermal break
- ⑪ fastener driven into the supporting structure
- ⑫ structural substrate



STARK WIE EIN STIER

# roof parapet vertical cross-section SERRATED PROFILE 22/40/2,0 (vertical) CAD DETAILS

