



STARK WIE EIN STIER

SERRATED PROFILE 22/40/2,0 (horizontal) ON ALUMINIUM SUPPORTING SUBSTRATES

CAD DETAILS

CONTENTS:

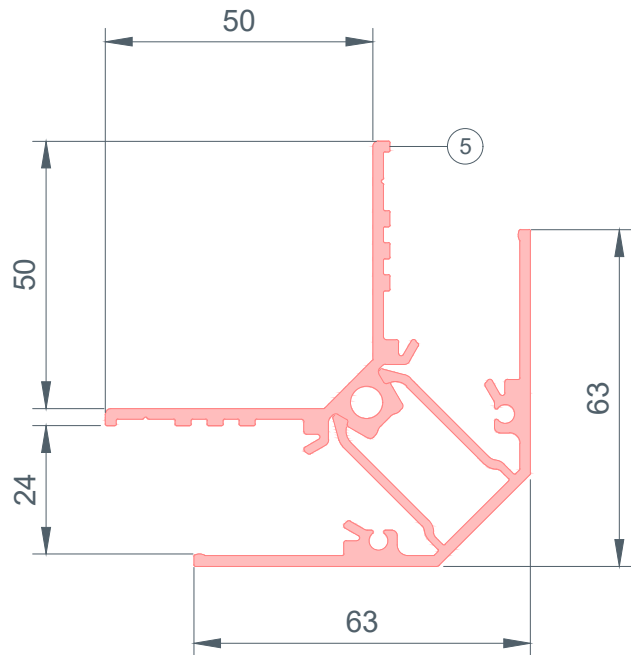
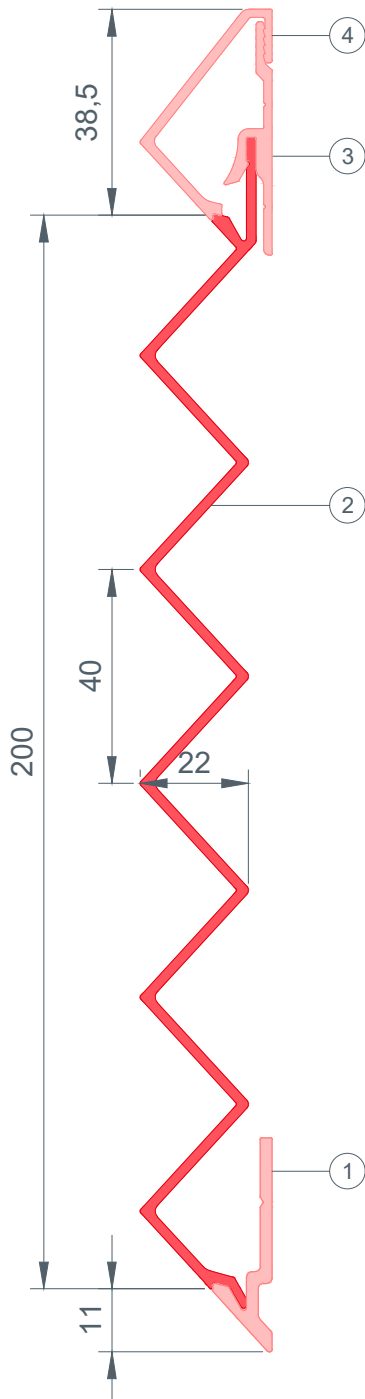
- 2 vertical cross-section – product overview
- 3 vertical cross-section – wall bracket
- 4 vertical cross-section – bottom connection
- 5 vertical cross-section – storey separation
- 6 horizontal cross-section – wall connection
- 7 horizontal cross-section – external corner
- 8 horizontal cross-section – internal corner
- 9 vertical cross-section – window ledge
- 10 horizontal cross-section – window reveals
- 11 vertical cross-section – window lintel
- 12 horizontal cross-section – joint connection
- 13 vertical cross-section – top connection
- 14 vertical cross-section – roof parapet



STARK WIE EIN STIER

product overview SERRATED PROFILE 22/40/2,0 (horizontal)

CAD DETAILS



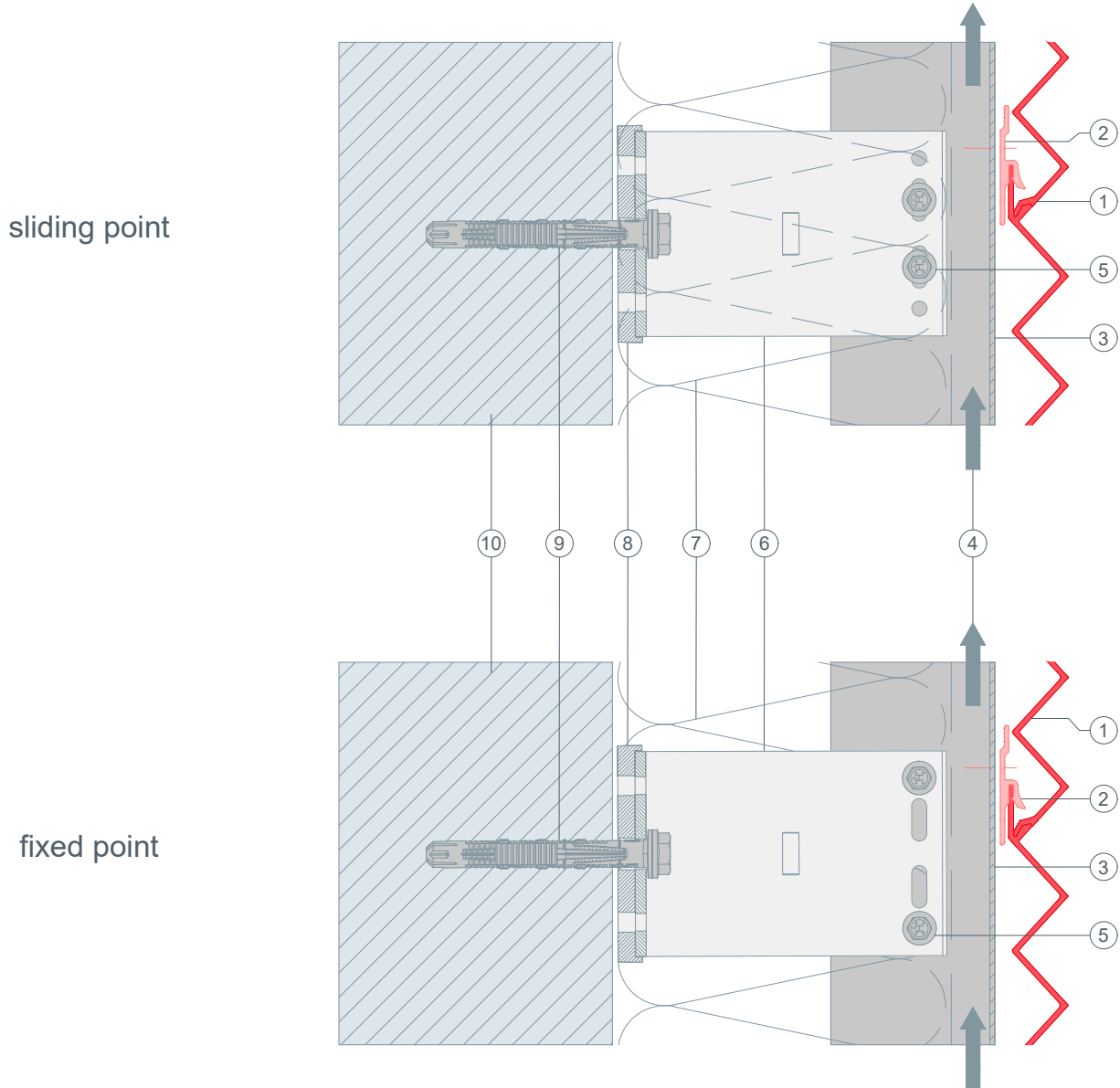
- ① SERRATED PROFILE 22/40/2,0 (horizontal)
- ② starter profile for serrated profile (PREFA)
- ③ closing profile for serrated profile (PREFA)
- ④ sliding clip for serrated profile
- ⑤ corner profile for serrated profile



STARK WIE EIN STIER

wall bracket vertical cross-section SERRATED PROFILE 22/40/2,0 (horizontal)

CAD DETAILS

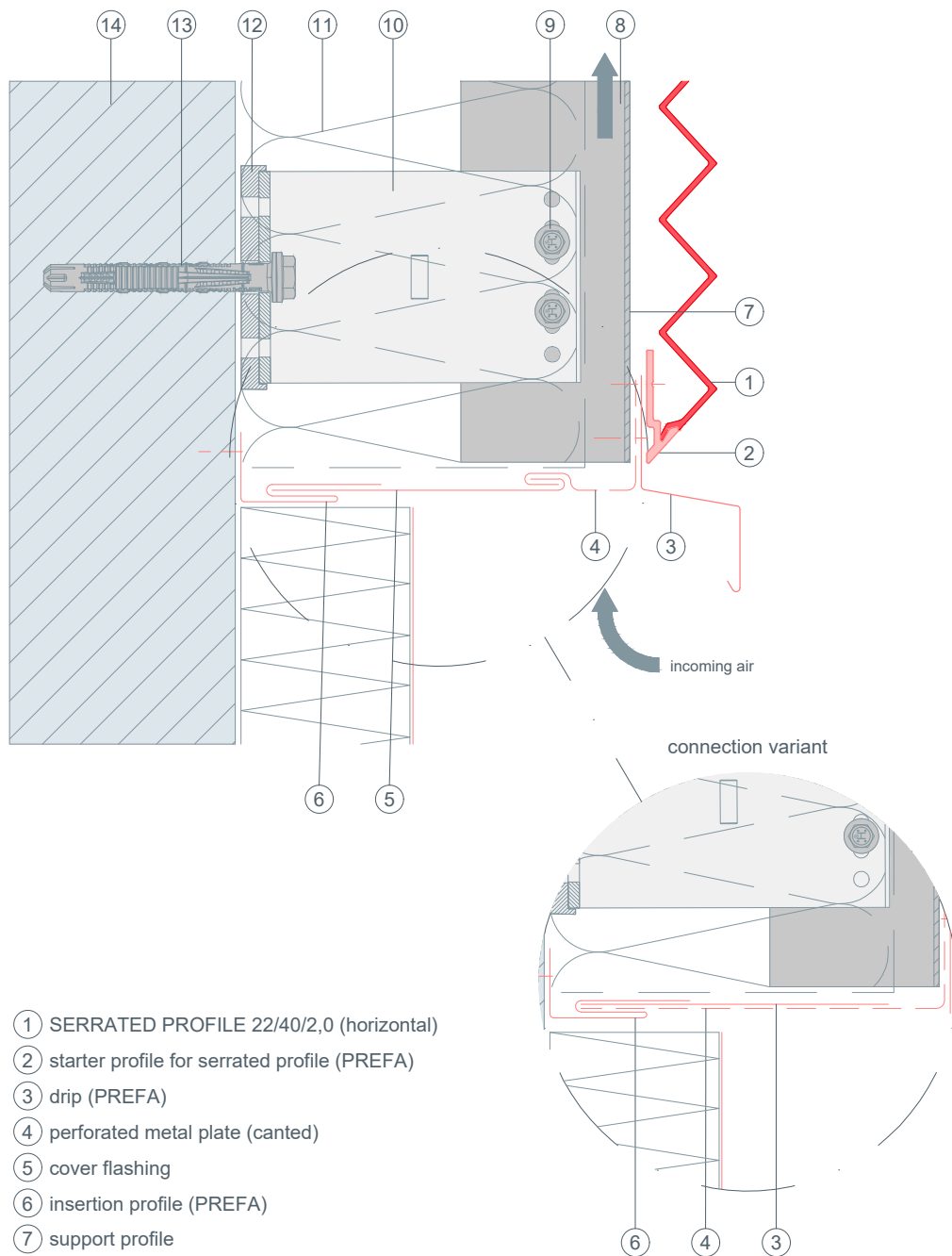


- ① SERRATED PROFILE 22/40/2,0 (horizontal)
- ② sliding clip for serrated profile
- ③ support profile
- ④ ventilation gap
- ⑤ connection screw
- ⑥ spacer bracket
- ⑦ insulation
- ⑧ thermal break
- ⑨ fastener driven into the supporting structure
- ⑩ structural substrate



STARK WIE EIN STIER

bottom connection vertical cross-section SERRATED PROFILE 22/40/2,0 (horizontal) CAD DETAILS



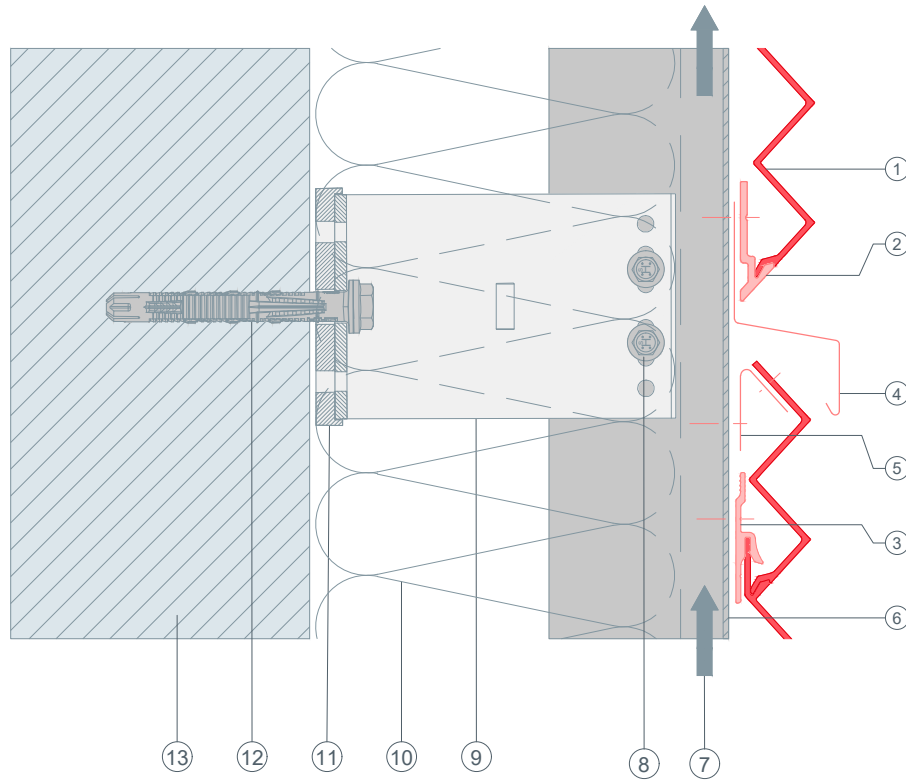
- ① SERRATED PROFILE 22/40/2,0 (horizontal)
- ② starter profile for serrated profile (PREFA)
- ③ drip (PREFA)
- ④ perforated metal plate (canted)
- ⑤ cover flashing
- ⑥ insertion profile (PREFA)
- ⑦ support profile
- ⑧ ventilation gap
- ⑨ connection screw
- ⑩ spacer bracket
- ⑪ insulation
- ⑫ thermal break
- ⑬ fastener driven into the supporting structure
- ⑭ structural substrate



STARK WIE EIN STIER

storey separation vertical cross-section SERRATED PROFILE 22/40/2,0 (horizontal)

CAD DETAILS

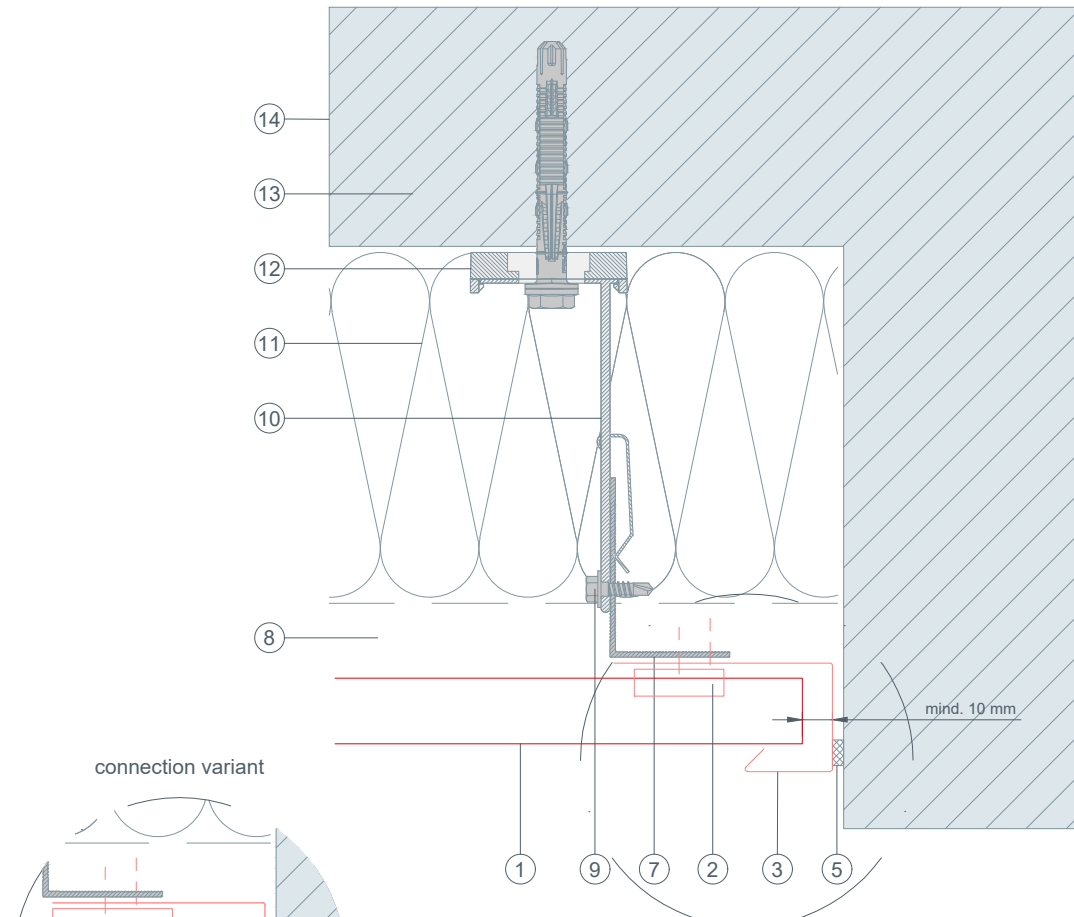


- ① SERRATED PROFILE 22/40/2,0 (horizontal)
- ② starter profile for serrated profile (PREFA)
- ③ sliding clip for serrated profile
- ④ drip (PREFA)
- ⑤ double-lock clip
- ⑥ support profile
- ⑦ ventilation gap
- ⑧ connection screw
- ⑨ spacer bracket
- ⑩ insulation
- ⑪ thermal break
- ⑫ fastener driven into the supporting structure
- ⑬ structural substrate



STARK WIE EIN STIER

wall connection horizontal cross-section SERRATED PROFILE 22/40/2,0 (horizontal) CAD DETAILS



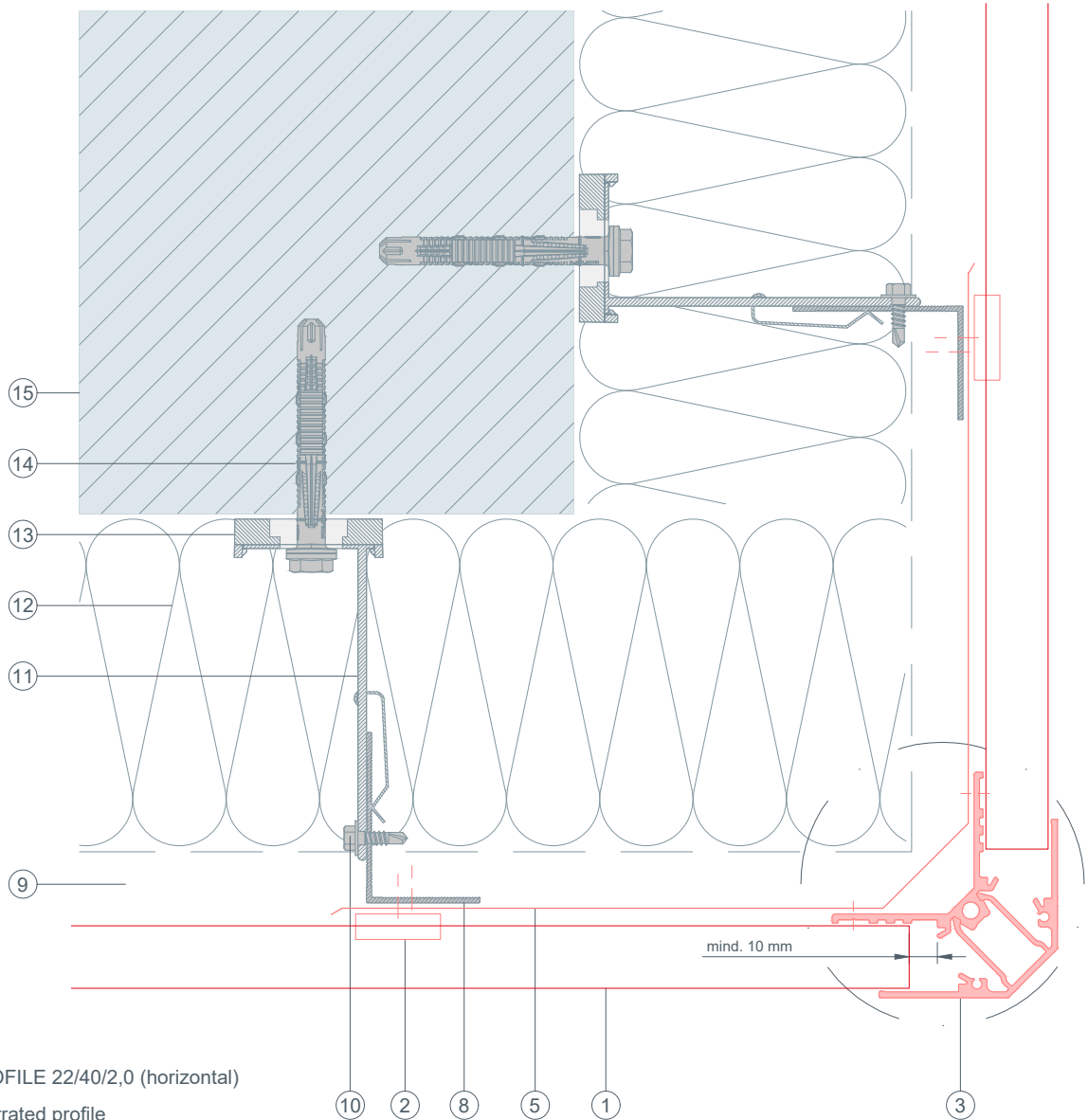
- ① SERRATED PROFILE 22/40/2,0 (horizontal)
- ② sliding clip for serrated profile
- ③ channel profile (canted)
- ④ closing profile
- ⑤ sealing tape
- ⑥ permanently elastic sealing joint
- ⑦ support profile
- ⑧ ventilation gap
- ⑨ connection screw
- ⑩ spacer bracket
- ⑪ insulation
- ⑫ thermal break
- ⑬ fastener driven into the supporting structure
- ⑭ structural substrate



STARK WIE EIN STIER

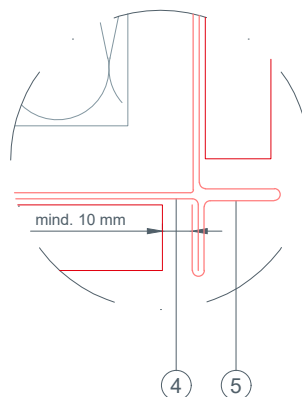
external corner horizontal cross-section SERRATED PROFILE 22/40/2,0 (horizontal)

CAD DETAILS

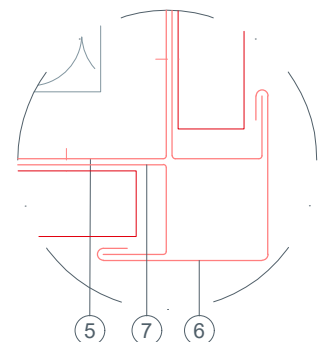


- ① SERRATED PROFILE 22/40/2,0 (horizontal)
- ② sliding clip for serrated profile
- ③ corner profile for serrated profile
- ④ external corner flashing (two parts) – PREFA
- ⑤ corner connector
- ⑥ external corner flashing
- ⑦ channel profile for corner profile
- ⑧ support profile
- ⑨ ventilation gap
- ⑩ connection screw
- ⑪ spacer bracket
- ⑫ insulation
- ⑬ thermal break
- ⑭ fastener driven into the supporting structure
- ⑮ structural substrate

connection variant

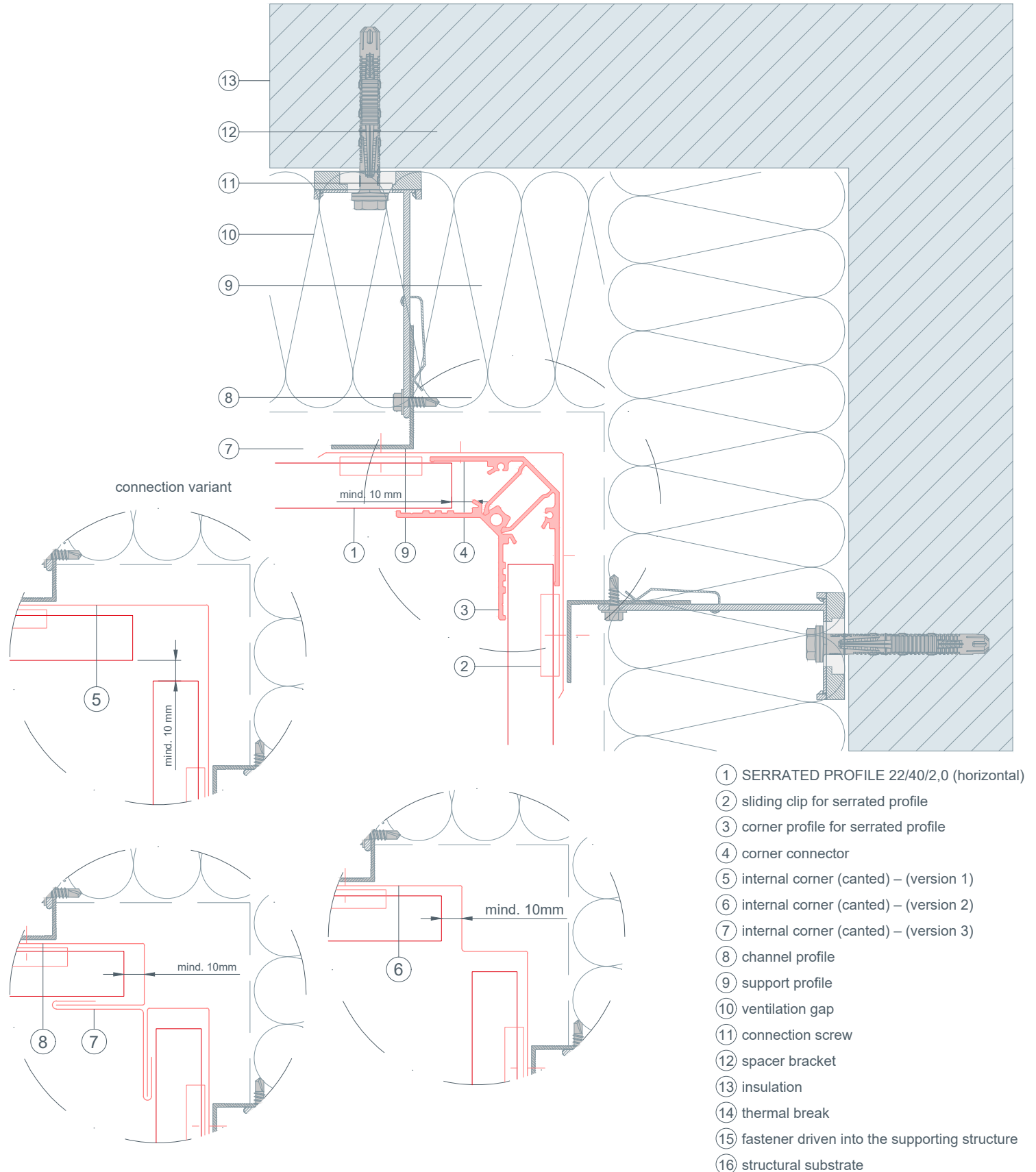


connection variant





internal corner horizontal cross-section SERRATED PROFILE 22/40/2,0 (horizontal) CAD DETAILS



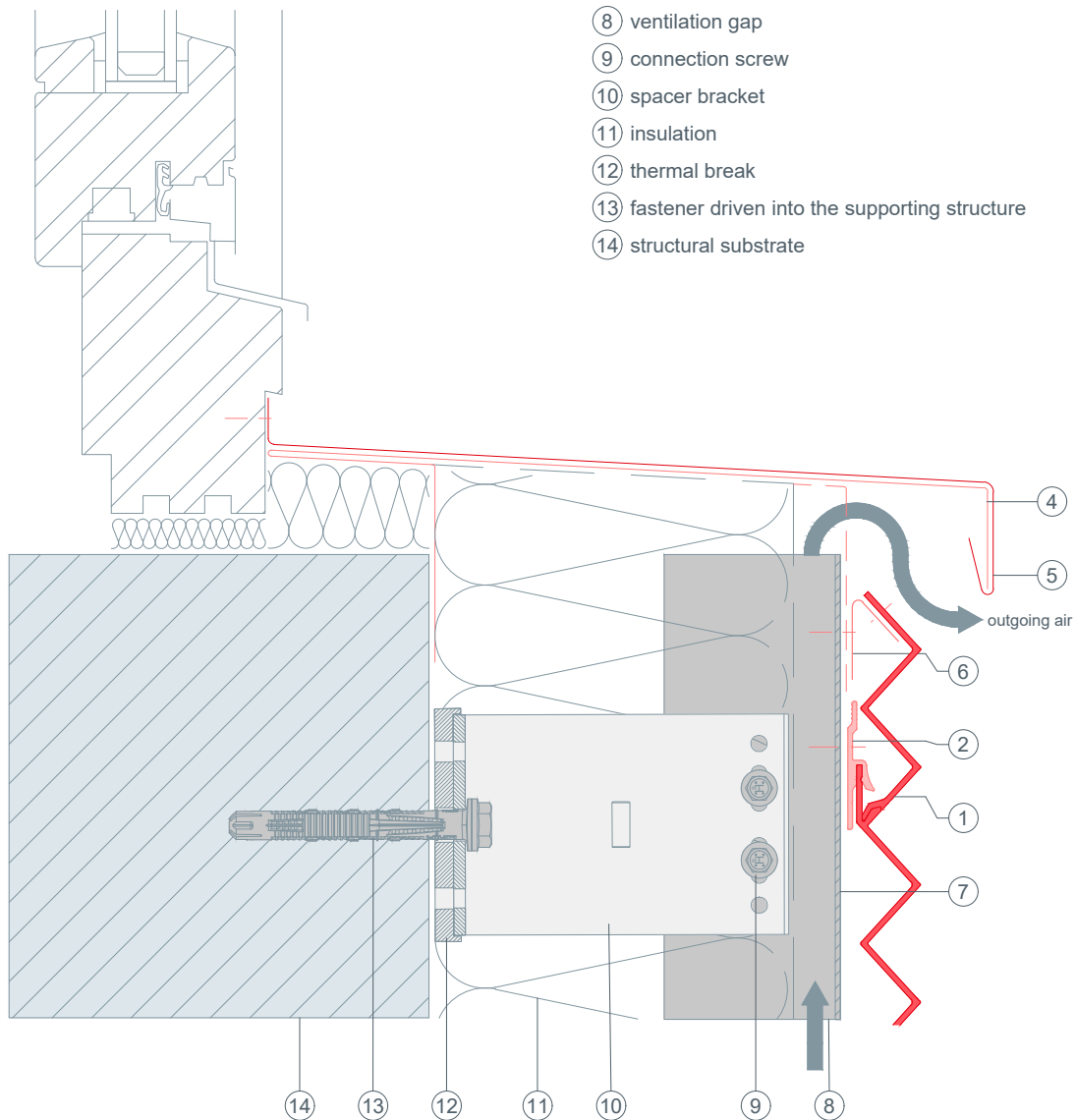


STARK WIE EIN STIER

window ledge vertical cross-section SERRATED PROFILE 22/40/2,0 (horizontal)

CAD DETAILS

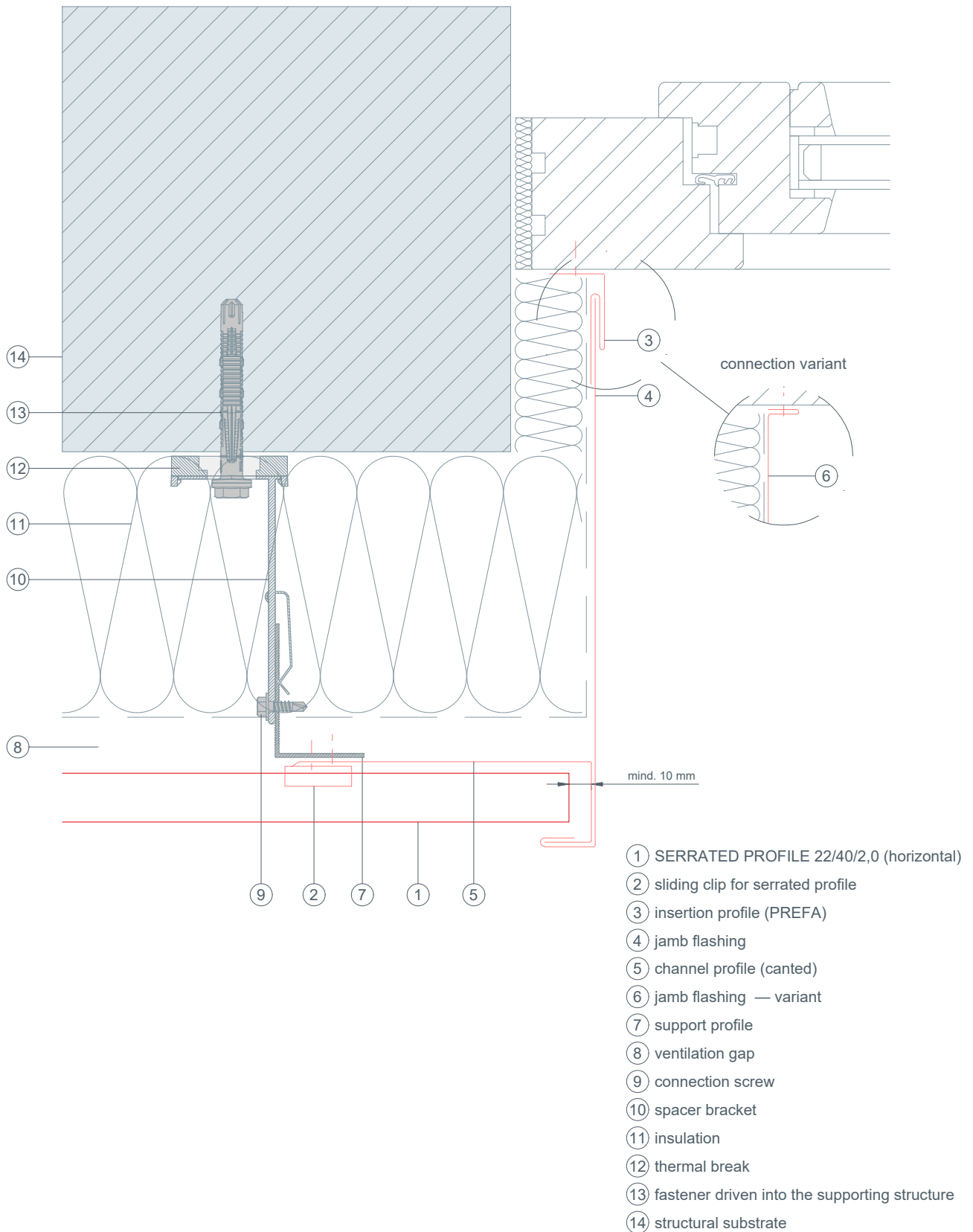
- ① SERRATED PROFILE 22/40/2,0 (horizontal)
- ② sliding clip for serrated profile
- ③ perforated metal plate (canted)
- ④ window ledge flashing strip
- ⑤ window ledge
- ⑥ double-lock clip
- ⑦ support profile
- ⑧ ventilation gap
- ⑨ connection screw
- ⑩ spacer bracket
- ⑪ insulation
- ⑫ thermal break
- ⑬ fastener driven into the supporting structure
- ⑭ structural substrate





STARK WIE EIN STIER

window reveals horizontal cross-section SERRATED PROFILE 22/40/2,0 (horizontal) CAD DETAILS

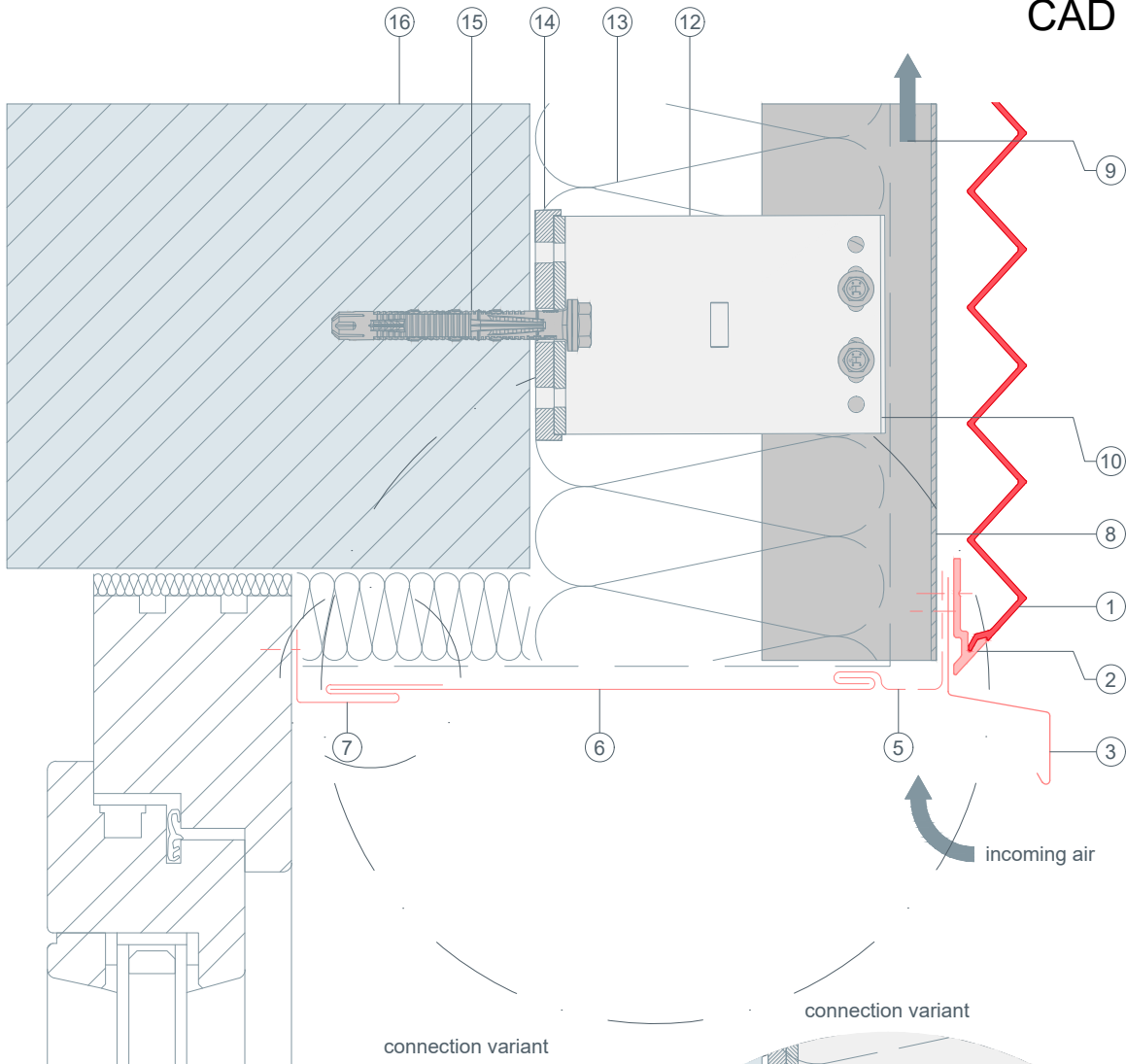




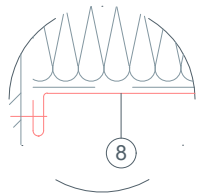
STARK WIE EIN STIER

window lintel vertical cross-section SERRATED PROFILE 22/40/2,0 (horizontal)

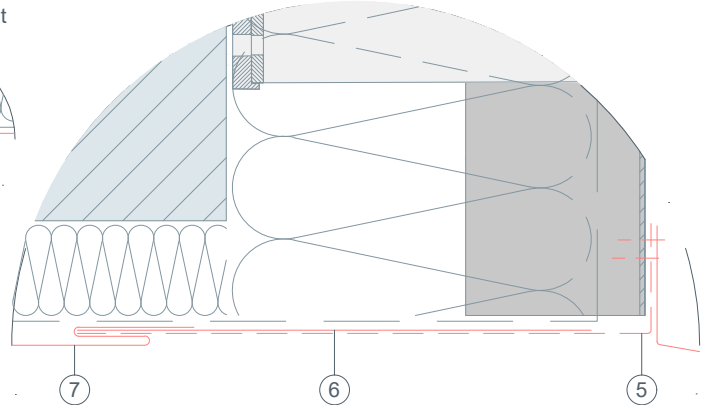
CAD DETAILS



connection variant



connection variant



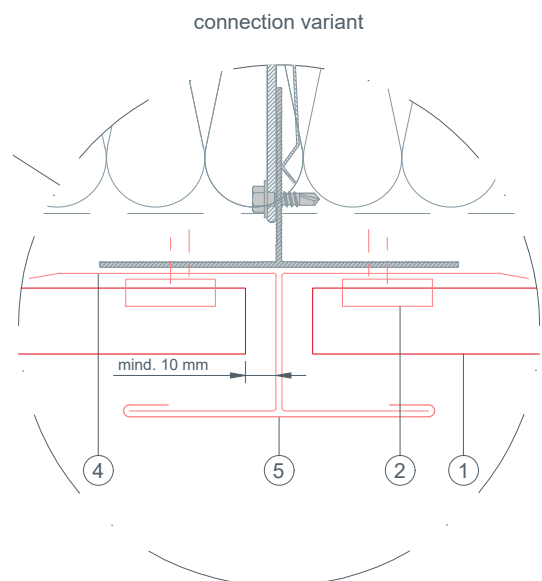
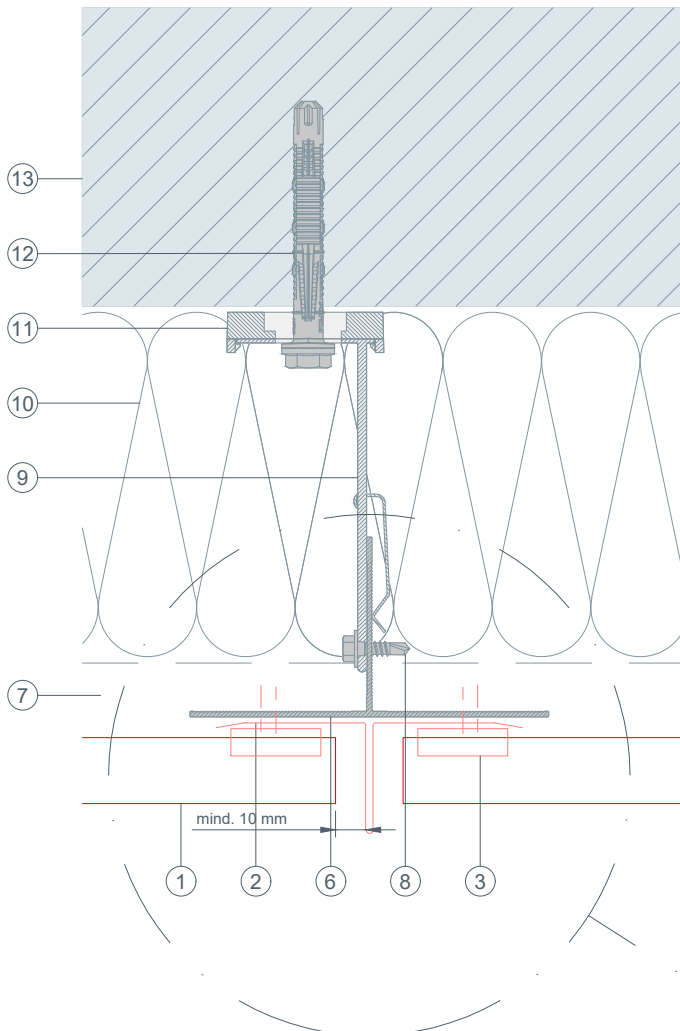
- ① SERRATED PROFILE 22/40/2,0 (horizontal)
- ② starter profile for serrated profile (PREFA)
- ③ sliding clip for serrated profile
- ④ drip (PREFA)
- ⑤ perforated metal plate (canted)
- ⑥ cover flashing
- ⑦ insertion profile (PREFA)
- ⑧ cover flashing (Variante 1)
- ⑨ support profile
- ⑩ ventilation gap
- ⑪ connection screw
- ⑫ spacer bracket
- ⑬ insulation
- ⑭ thermal break
- ⑮ fastener driven into the supporting structure
- ⑯ structural substrate





STARK WIE EIN STIER

joint connection horizontal cross-section SERRATED PROFILE 22/40/2,0 (horizontal) CAD DETAILS



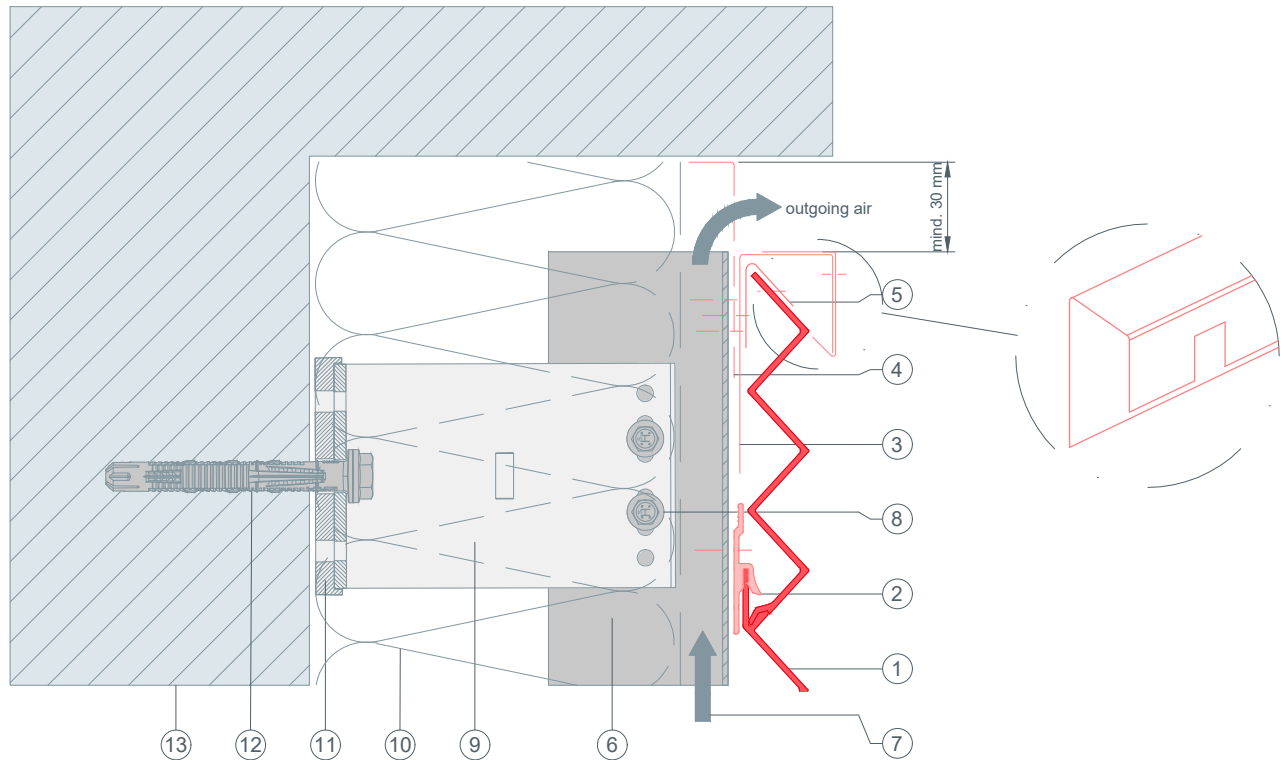
- ① SERRATED PROFILE 22/40/2,0 (horizontal)
- ② sliding clip for serrated profile
- ③ joint connection (PREFA)
- ④ channel profile (canted)
- ⑤ cover for vertical joint connection
- ⑥ support profile
- ⑦ ventilation gap
- ⑧ connection screw
- ⑨ spacer bracket
- ⑩ insulation
- ⑪ thermal break
- ⑫ fastener driven into the supporting structure
- ⑬ structural substrate



STARK WIE EIN STIER

top connection vertical cross-section SERRATED PROFILE 22/40/2,0 (horizontal)

CAD DETAILS

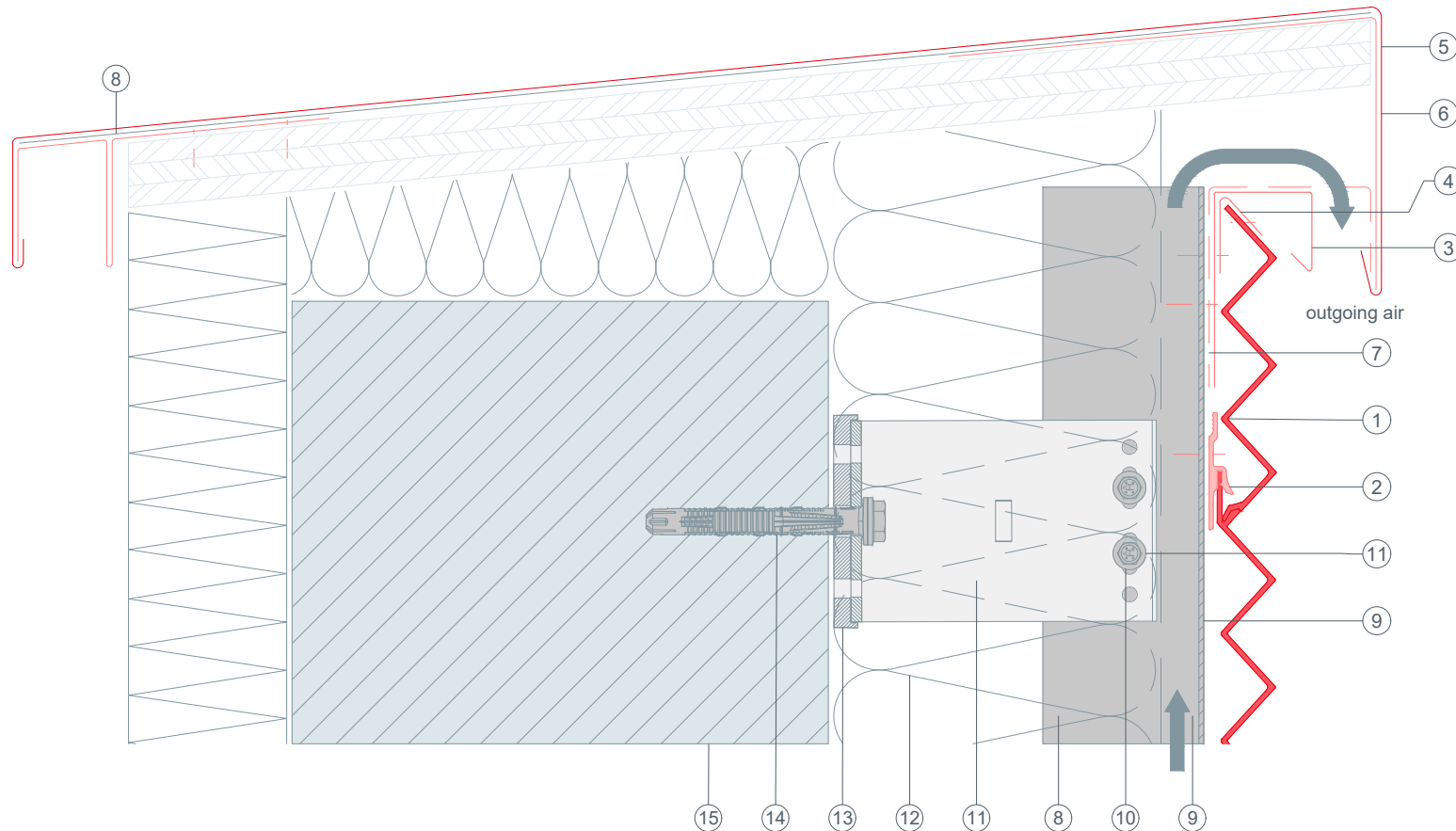


- ① SERRATED PROFILE 22/40/2,0 (horizontal)
- ② sliding clip for serrated profile
- ③ channel profile (canted)
- ④ perforated metal plate (canted)
- ⑤ double-lock clip
- ⑥ support profile
- ⑦ ventilation gap
- ⑧ connection screw
- ⑨ spacer bracket
- ⑩ insulation
- ⑪ thermal break
- ⑫ fastener driven into the supporting structure
- ⑬ structural substrate



STARK WIE EIN STIER

roof parapet vertical cross-section SERRATED PROFILE 22/40/2,0 (horizontal) CAD DETAILS



- ① SERRATED PROFILE 22/40/2,0 (horizontal)
- ② sliding clip for serrated profile
- ③ channel profile (canted)
- ④ double-lock clip
- ⑤ roof parapet flashing
- ⑥ cleat strip
- ⑦ perforated metal plate (canted)
- ⑧ separating layer
- ⑨ support profile
- ⑩ ventilation gap
- ⑪ connection screw
- ⑫ spacer bracket
- ⑬ insulation
- ⑭ thermal break
- ⑮ fastener driven into the supporting structure
- ⑯ structural substrate