



STARK WIE EIN STIER

PREFABOND (fastened mechanically)

CAD DETAILS

CONTENTS:

- 2 profile
- 3 horizontal cross-section
- 4 vertical cross-section
- 5 vertical cross-section – joint backing strip
- 6 vertical cross-section – bottom connection
- 7 horizontal cross-section – wall connection
- 8 horizontal cross-section – external corner
- 9 horizontal cross-section – internal corner
- 10 vertical cross-section – window ledge
- 11 horizontal cross-section – window reveals (variant 1)
- 12 horizontal cross-section – window reveals (variant 2)
- 13 vertical cross-section – window lintel
- 14 vertical cross-section – window lintel with blinds
- 15 horizontal cross-section – top connection
- 16 vertical cross-section – roof parapet

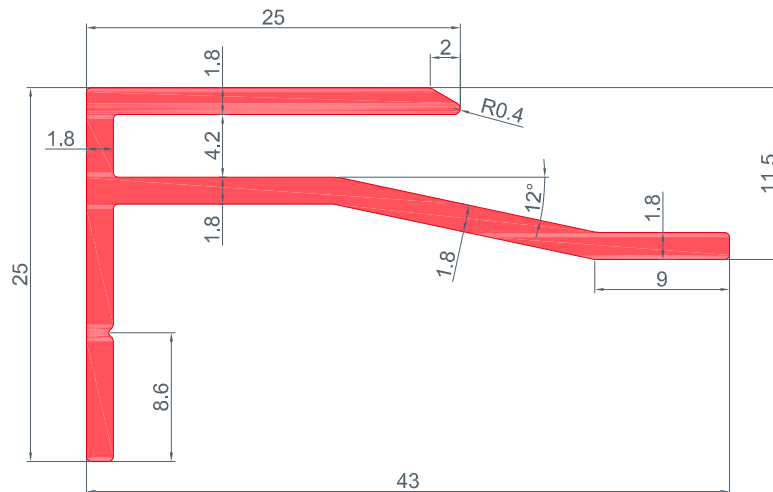


STARK WIE EIN STIER

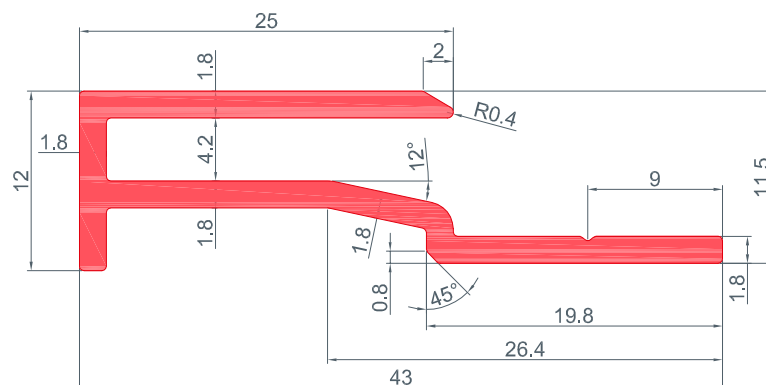
profile PREFABOND (fastened mechanically)

CAD DETAILS

F-PROFILE



U-PROFILE

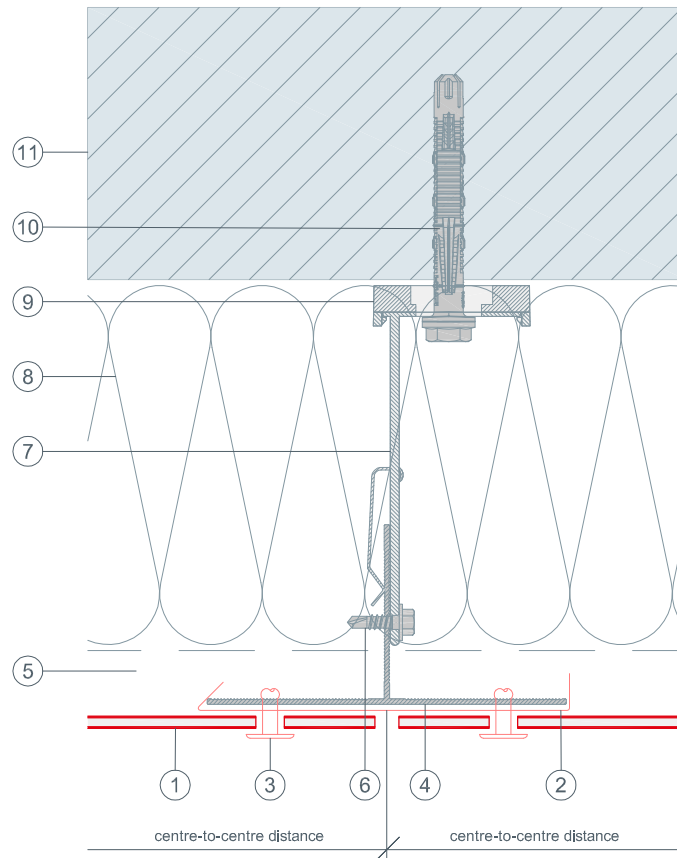




STARK WIE EIN STIER

horizontal cross-section PREFABOND (fastened mechanically)

CAD DETAILS



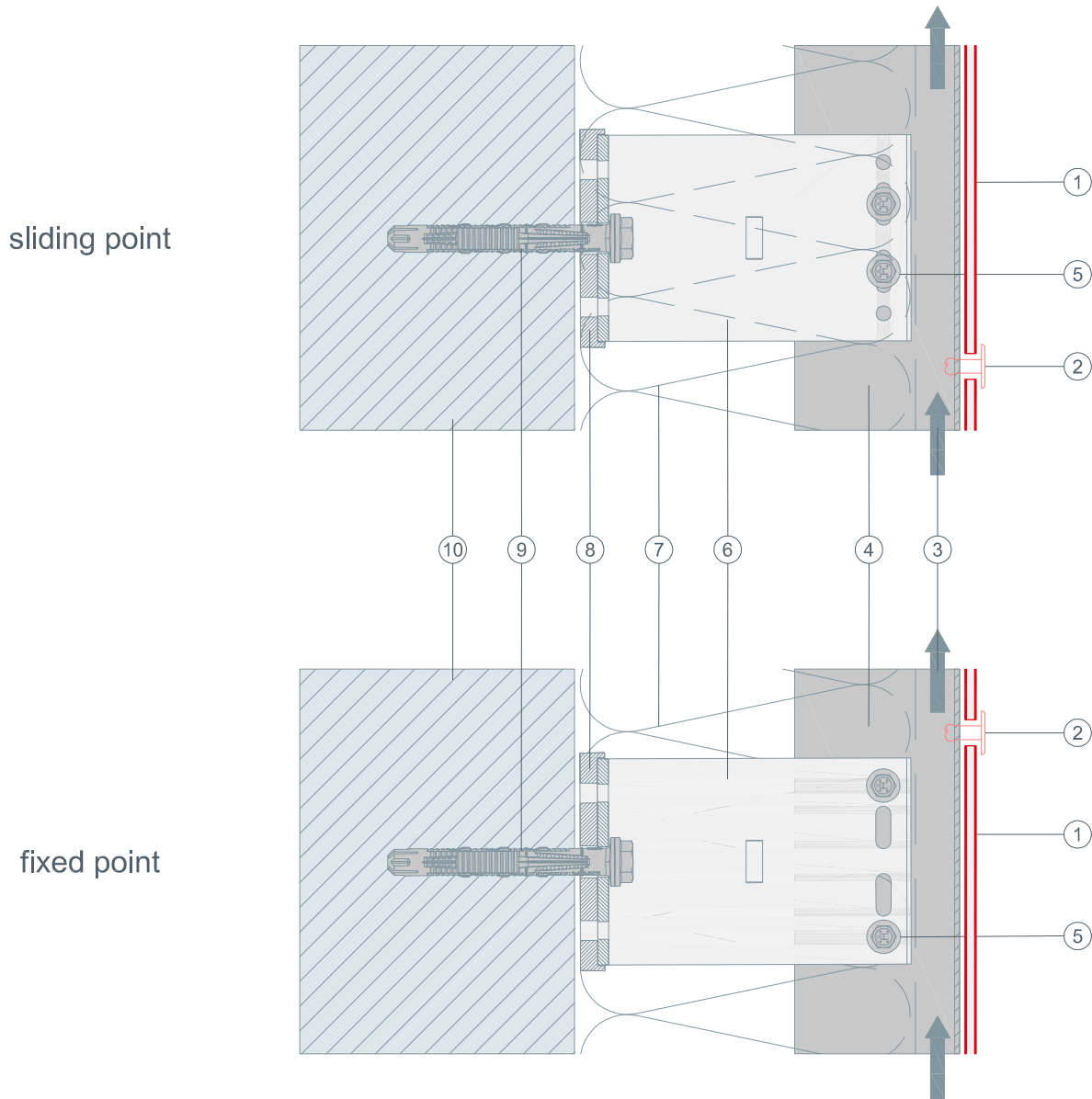
- ① PREFABOND (fastened mechanically)
- ② joint backing strip (vertical)
- ③ façade rivet
- ④ support profile
- ⑤ ventilation gap
- ⑥ connection screw
- ⑦ spacer bracket
- ⑧ insulation
- ⑨ thermal break
- ⑩ fastener driven into the supporting structure
- ⑪ structural substrate



STARK WIE EIN STIER

vertical cross-section PREFABOND (fastened mechanically)

CAD DETAILS



sliding point

fixed point

- ① PREFABOND (fastened mechanically)
- ② façade rivet
- ③ support profile
- ④ ventilation gap
- ⑤ connection screw
- ⑥ spacer bracket
- ⑦ insulation
- ⑧ thermal break
- ⑨ fastener driven into the supporting structure
- ⑩ structural substrate



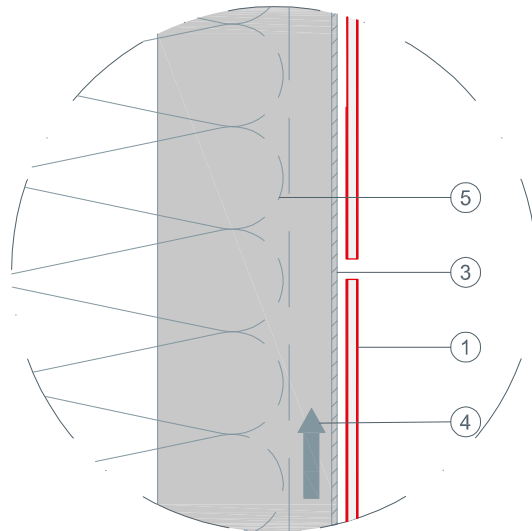
STARK WIE EIN STIER

joint backing strip vertical cross-section

PREFABOND (fastened mechanically)

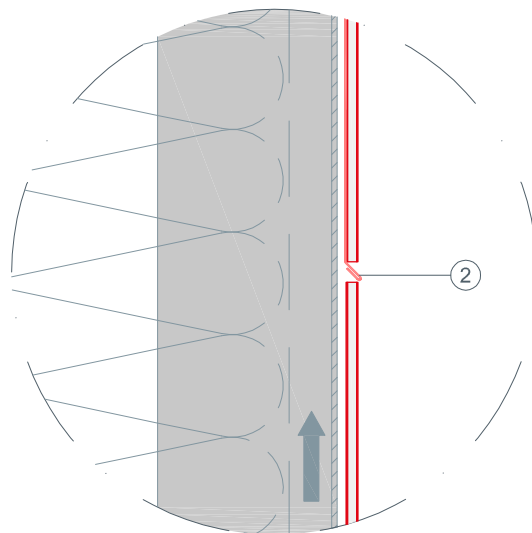
CAD DETAILS

variant 1
open joints



- ① PREFABOND (fastened mechanically)
- ② joint backing strip (horizontal)
- ③ support profile
- ④ ventilation gap
- ⑤ insulation

variant 2
joint backing strip

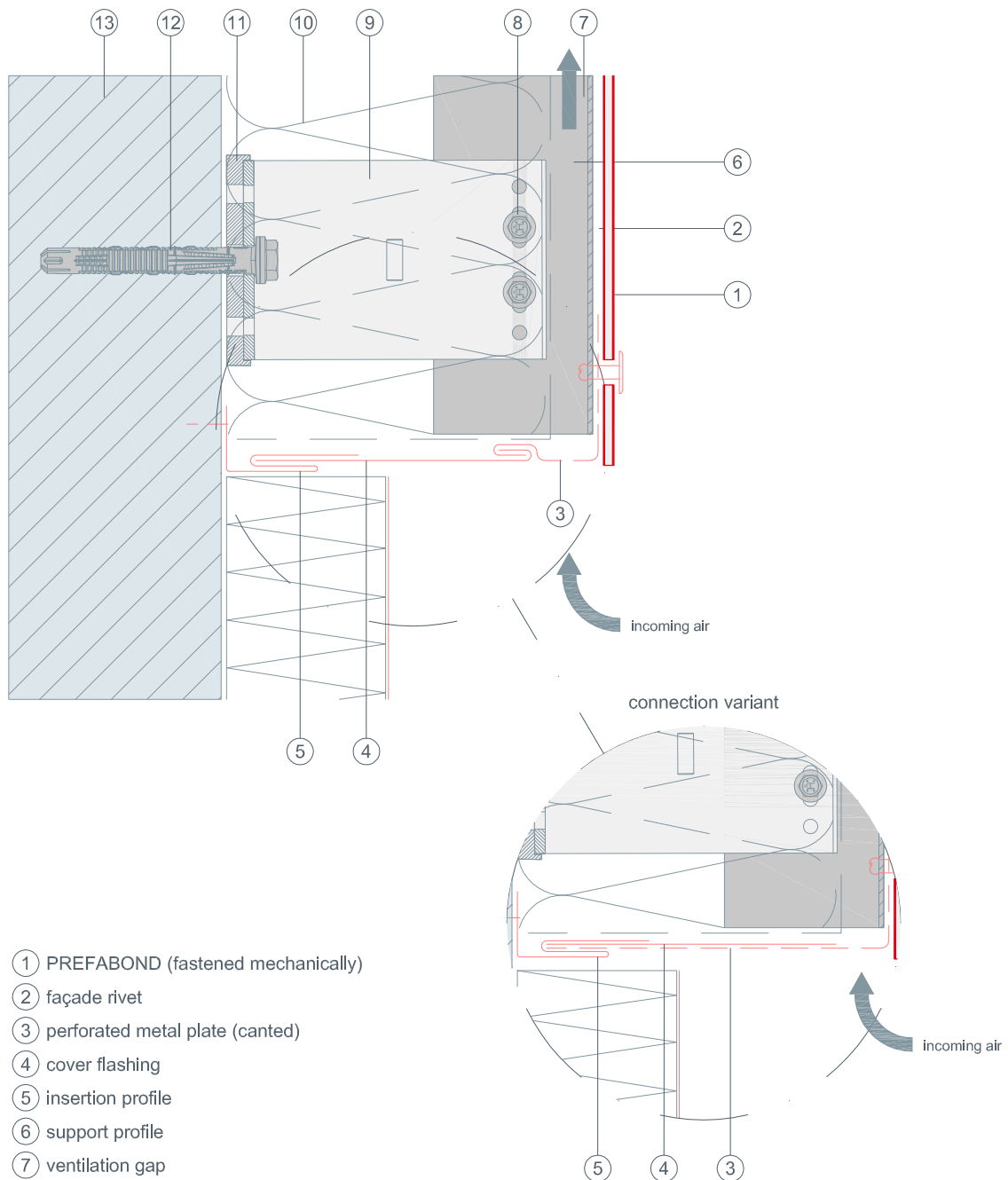




STARK WIE EIN STIER

bottom connection vertical cross-section PREFABOND (fastened mechanically)

CAD DETAILS



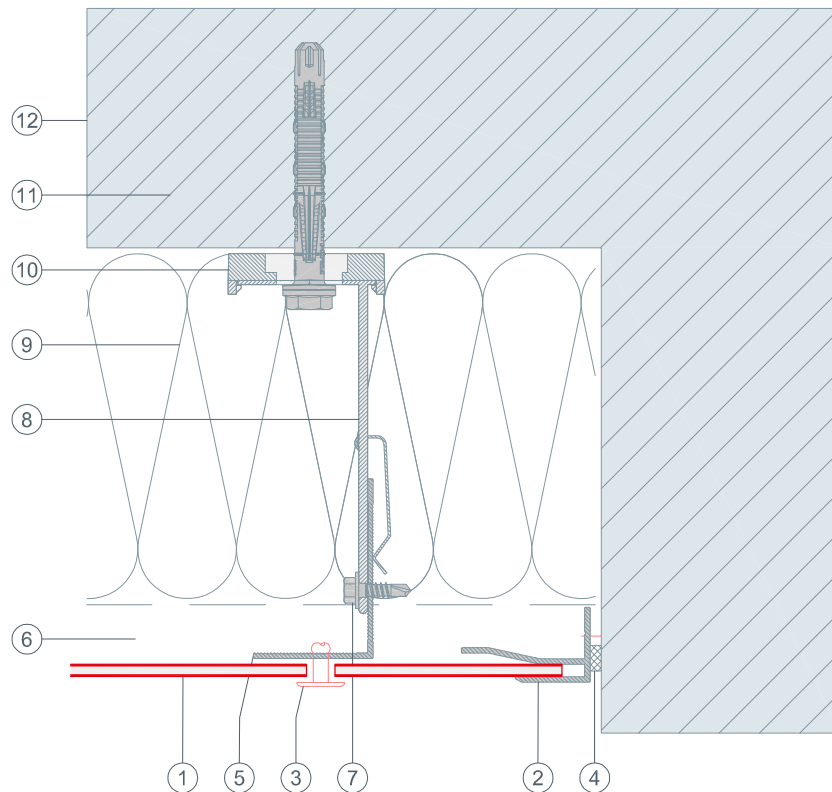
- ① PREFABOND (fastened mechanically)
- ② façade rivet
- ③ perforated metal plate (canted)
- ④ cover flashing
- ⑤ insertion profile
- ⑥ support profile
- ⑦ ventilation gap
- ⑧ connection screw
- ⑨ spacer bracket
- ⑩ insulation
- ⑪ thermal break
- ⑫ fastener driven into the supporting structure
- ⑬ structural substrate



STARK WIE EIN STIER

wall connection horizontal cross-section PREFABOND (fastened mechanically)

CAD DETAILS



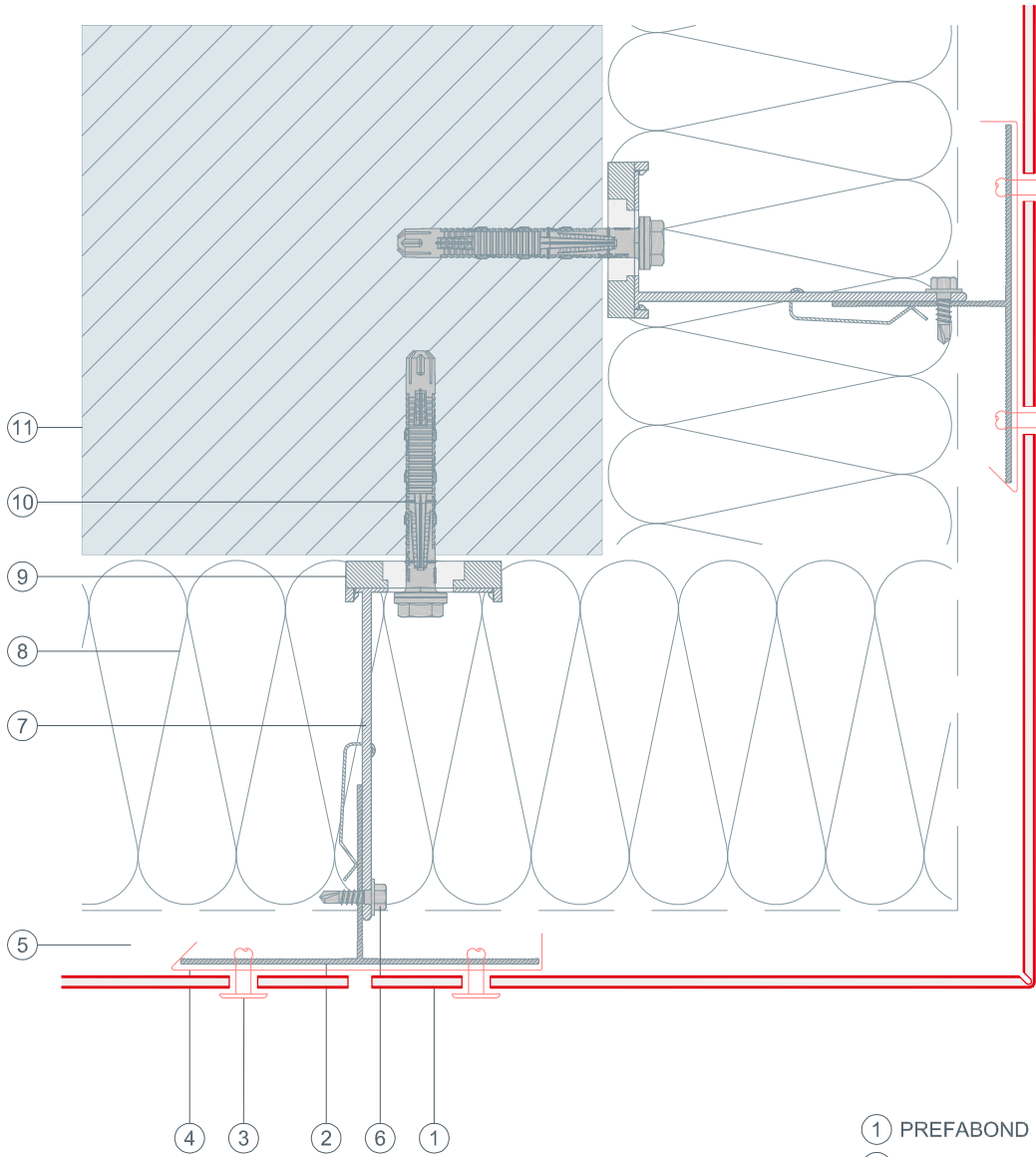
- ① PREFABOND (fastened mechanically)
- ② F-profile for PREFABOND panels
- ③ façade rivet
- ④ sealing tape
- ⑤ support profile
- ⑥ ventilation gap
- ⑦ connection screw
- ⑧ spacer bracket
- ⑨ insulation
- ⑩ thermal break
- ⑪ fastener driven into the supporting structure
- ⑫ structural substrate



STARK WIE EIN STIER

external corner horizontal cross-section PREFABOND (fastened mechanically)

CAD DETAILS

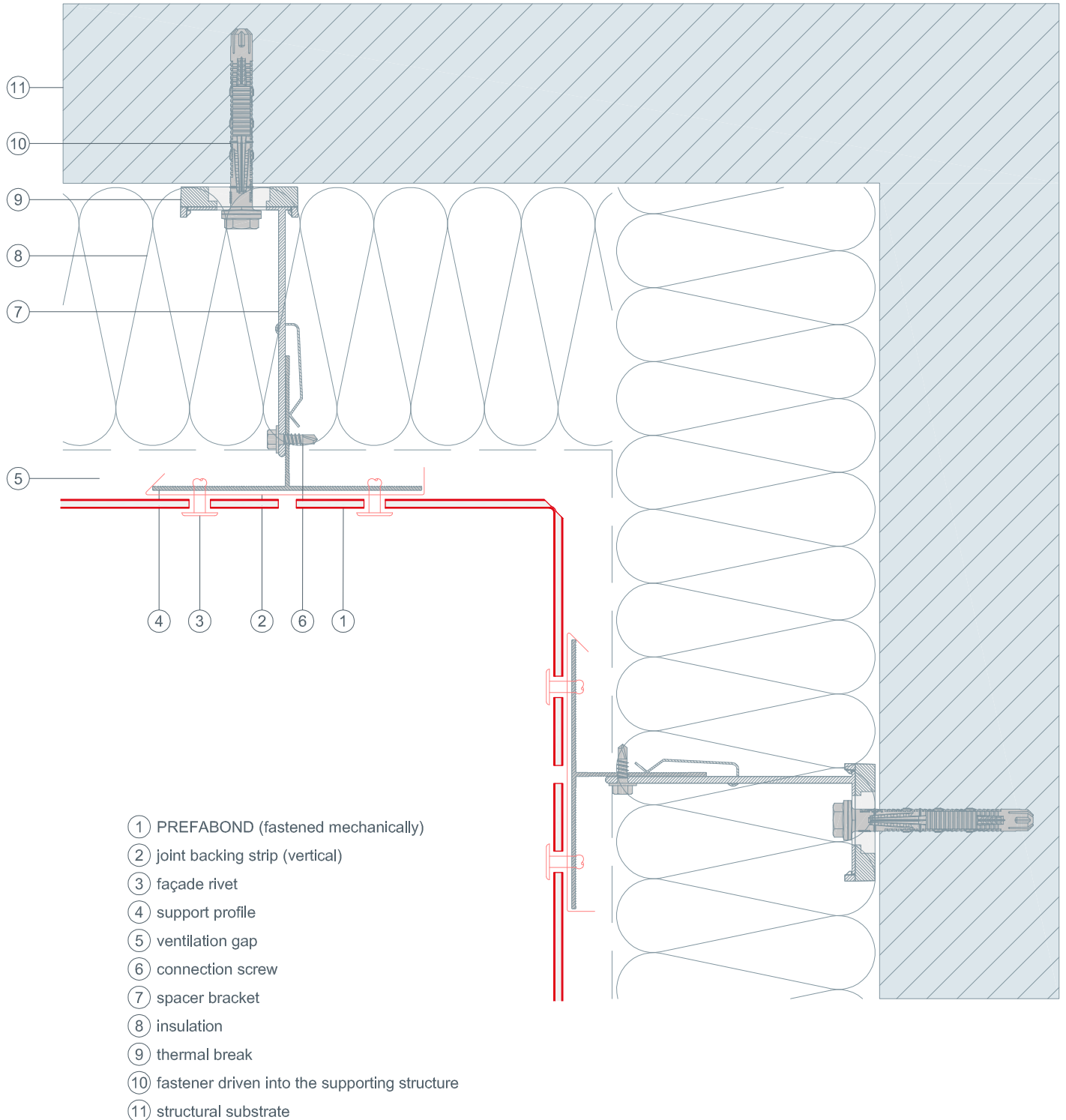


- ① PREFABOND (fastened mechanically)
- ② joint backing strip (vertical)
- ③ façade rivet
- ④ support profile
- ⑤ ventilation gap
- ⑥ connection screw
- ⑦ spacer bracket
- ⑧ insulation
- ⑨ thermal break
- ⑩ fastener driven into the supporting structure
- ⑪ structural substrate



STARK WIE EIN STIER

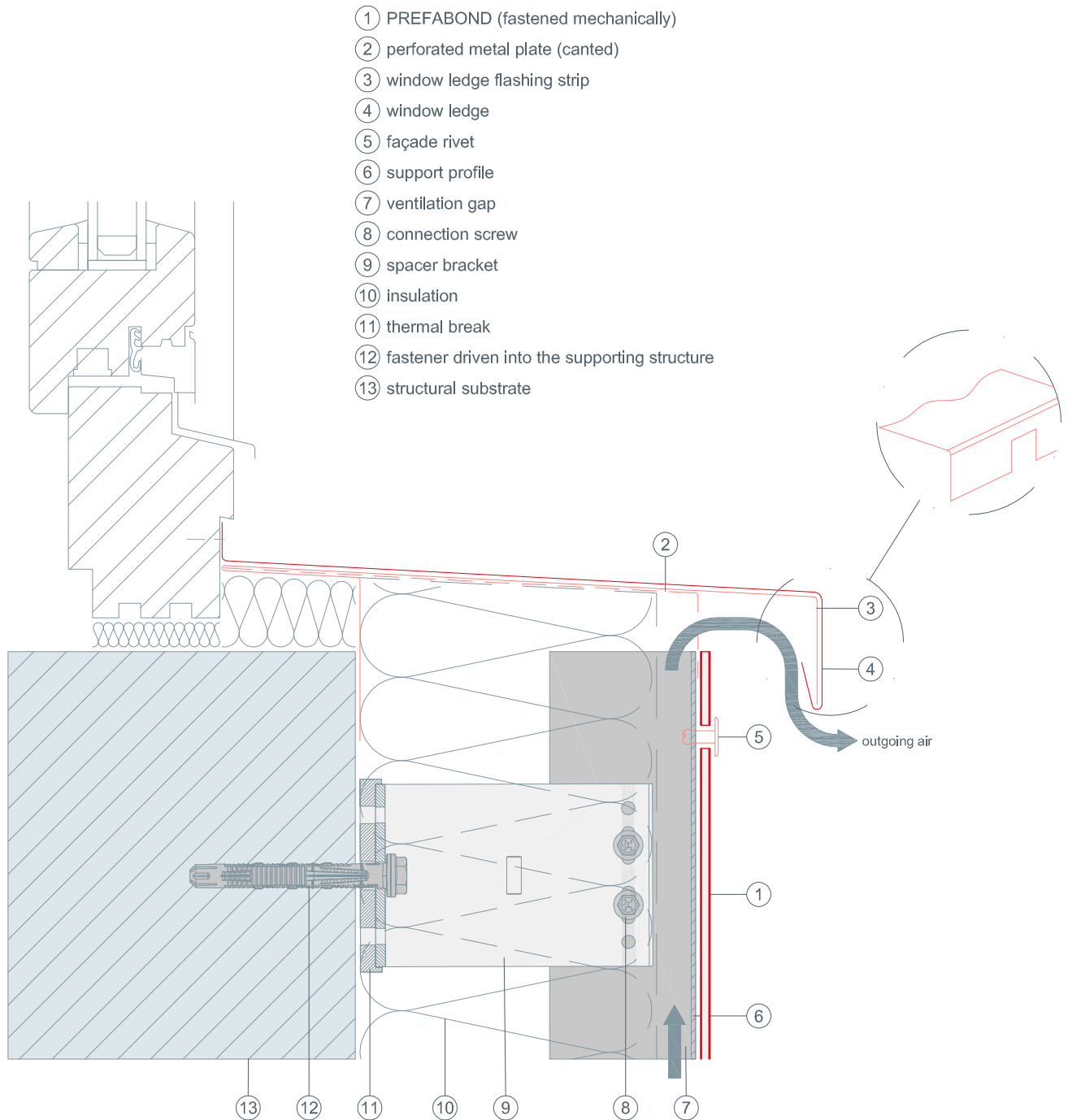
internal corner horizontal cross-section SIDING & SIDING.X (horizontal) CAD DETAILS





STARK WIE EIN STIER

window ledge vertical cross-section PREFABOND (fastened mechanically) CAD DETAILS

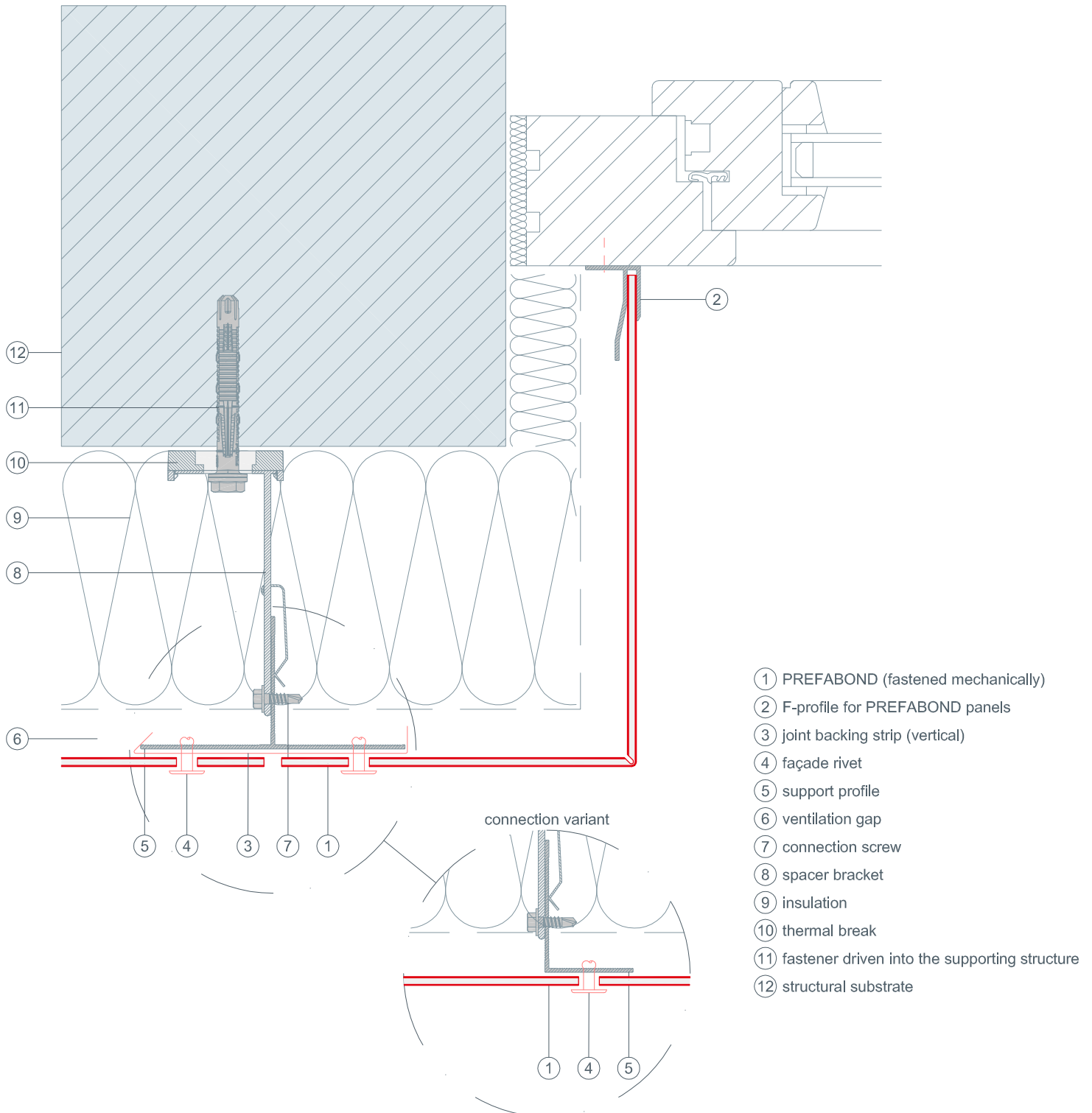




STARK WIE EIN STIER

window reveals (variant 1) horizontal cross-section PREFABOND (fastened mechanically)

CAD DETAILS



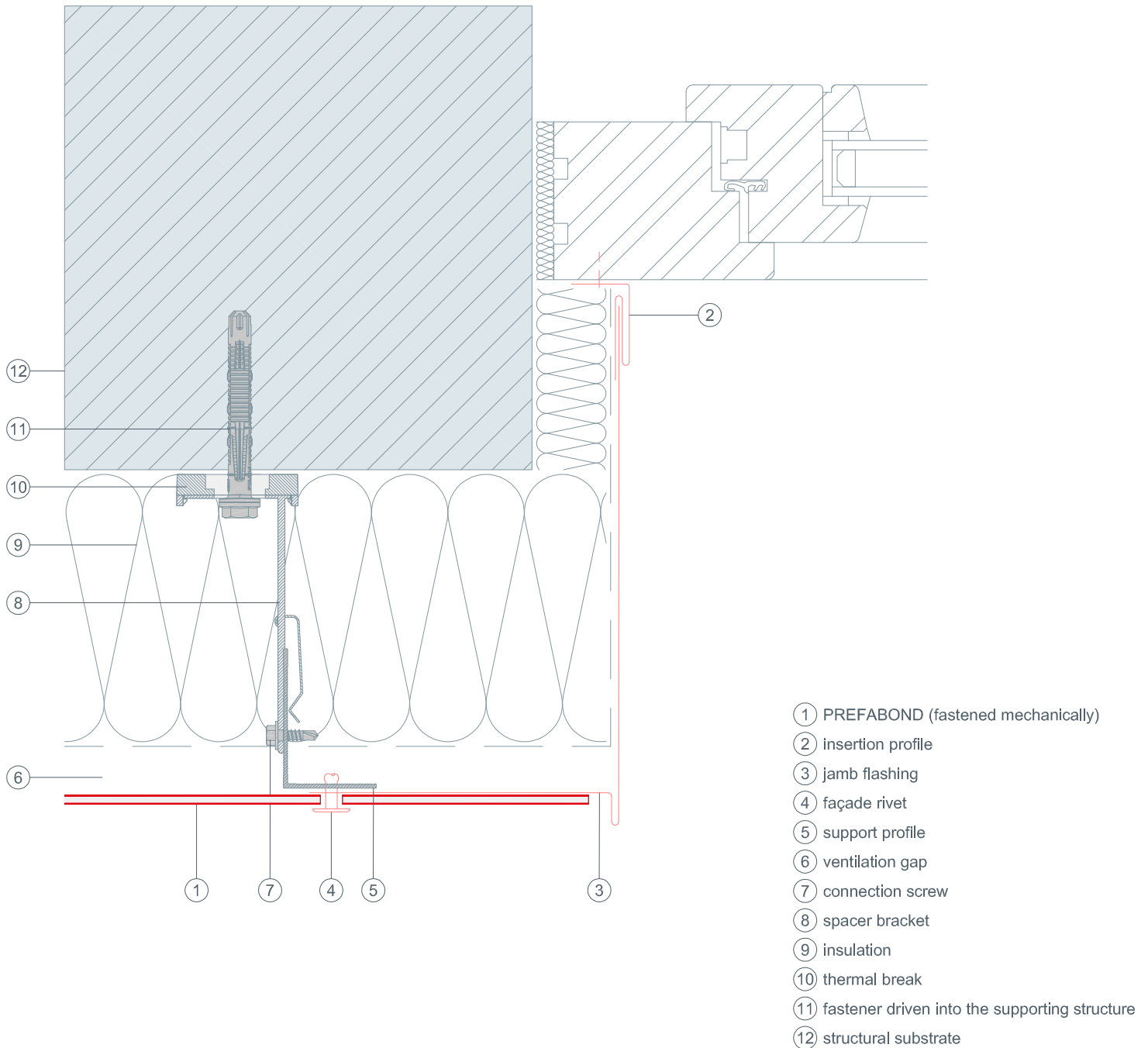
- ① PREFABOND (fastened mechanically)
- ② F-profile for PREFABOND panels
- ③ joint backing strip (vertical)
- ④ façade rivet
- ⑤ support profile
- ⑥ ventilation gap
- ⑦ connection screw
- ⑧ spacer bracket
- ⑨ insulation
- ⑩ thermal break
- ⑪ fastener driven into the supporting structure
- ⑫ structural substrate



STARK WIE EIN STIER

window reveals (variant 2) horizontal cross-section PREFABOND (fastened mechanically)

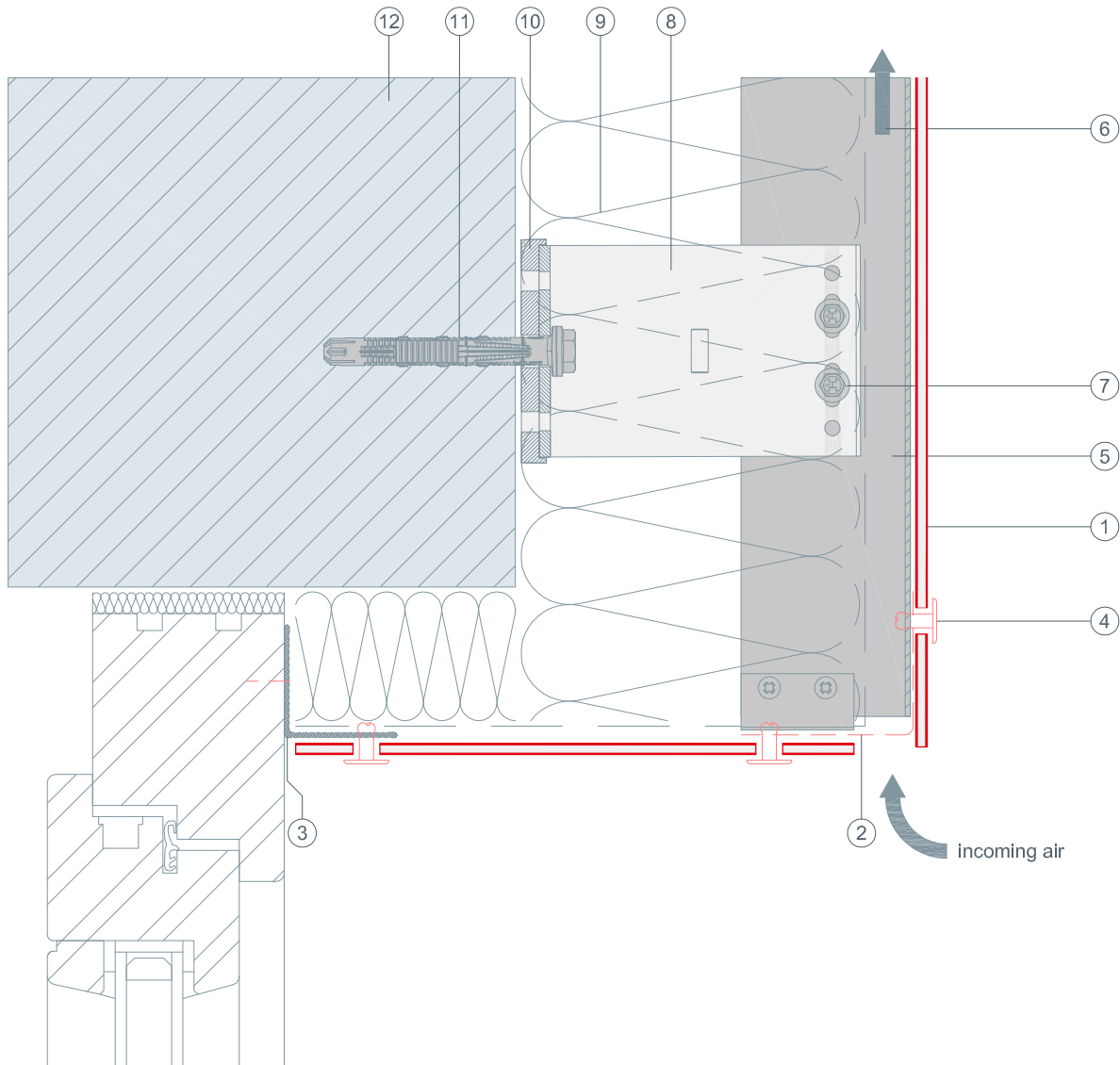
CAD DETAILS





STARK WIE EIN STIER

window lintel vertical cross-section PREFABOND (fastened mechanically)



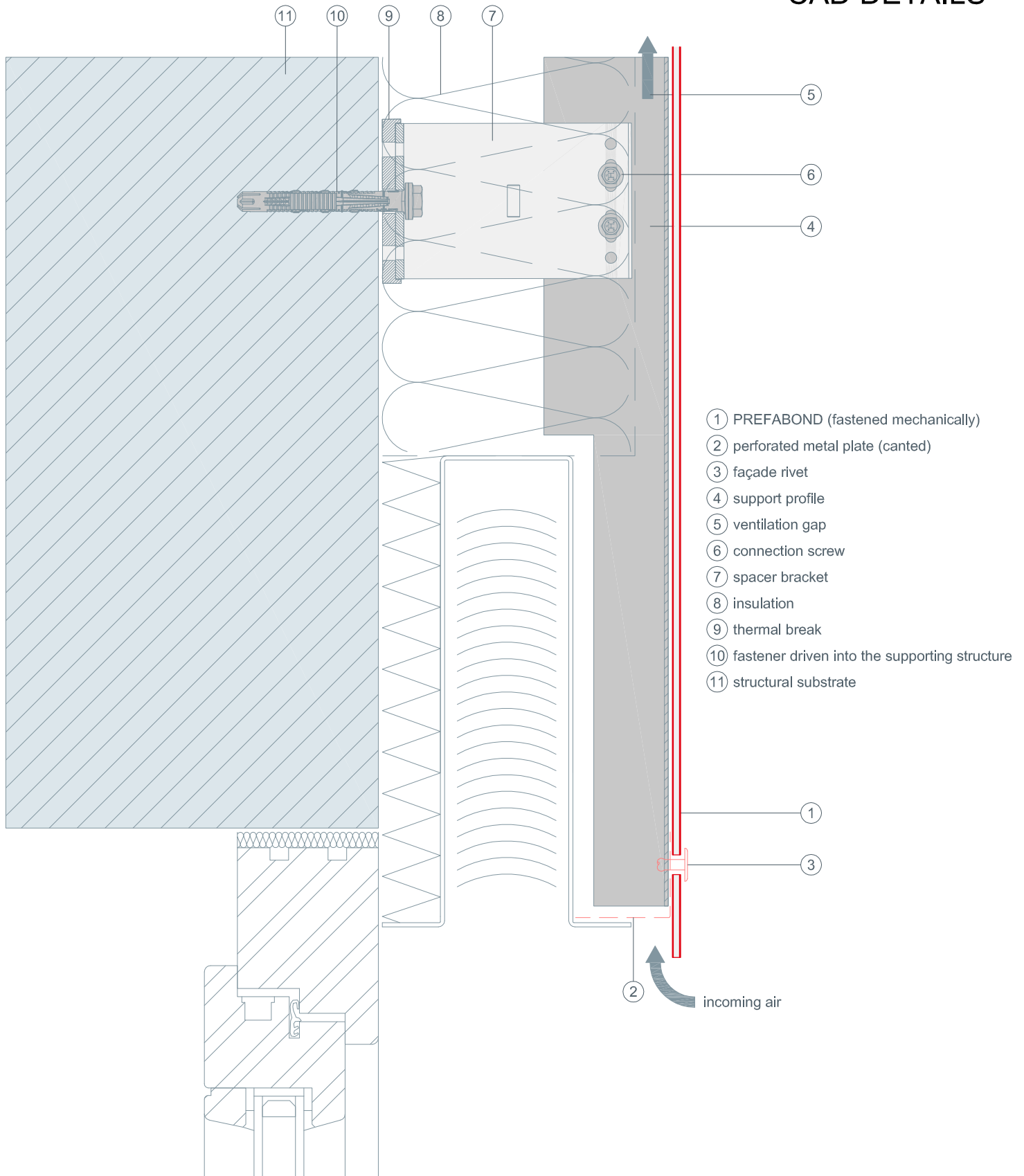
- ① PREFABOND (fastened mechanically)
- ② perforated metal plate (canted)
- ③ bracket
- ④ façade rivet
- ⑤ support profile
- ⑥ ventilation gap
- ⑦ connection screw
- ⑧ spacer bracket
- ⑨ insulation
- ⑩ thermal break
- ⑪ fastener driven into the supporting structure
- ⑫ structural substrate



STARK WIE EIN STIER

window lintel with blinds vertical cross-section PREFABOND (fastened mechanically)

CAD DETAILS

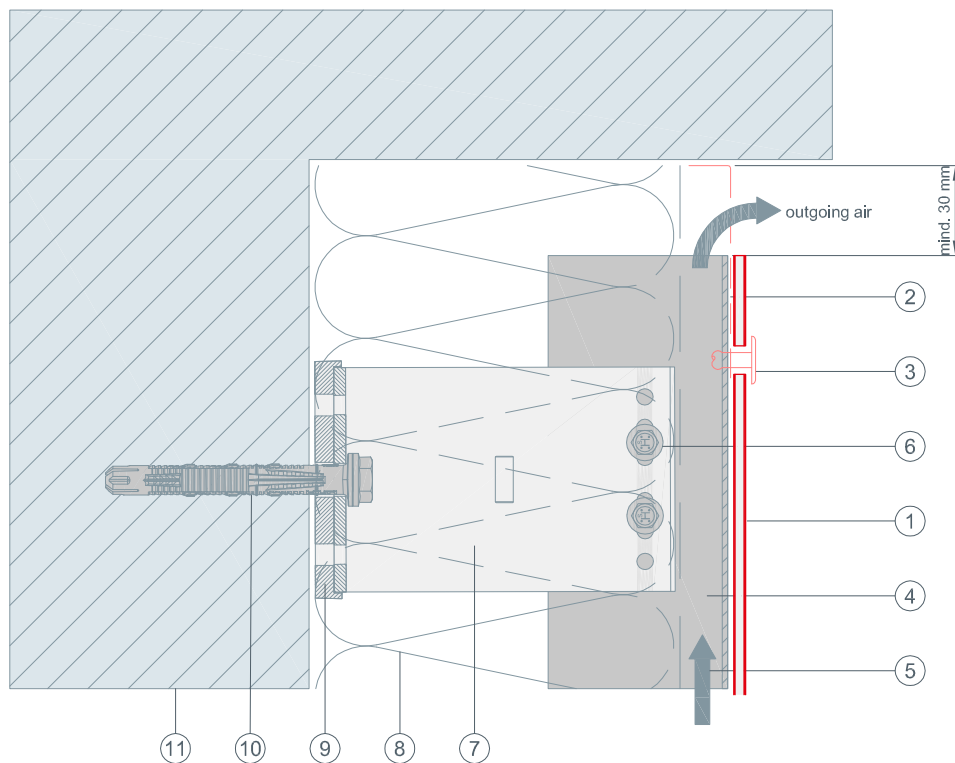




STARK WIE EIN STIER

top connection vertical cross-section PREFABOND (fastened mechanically)

CAD DETAILS

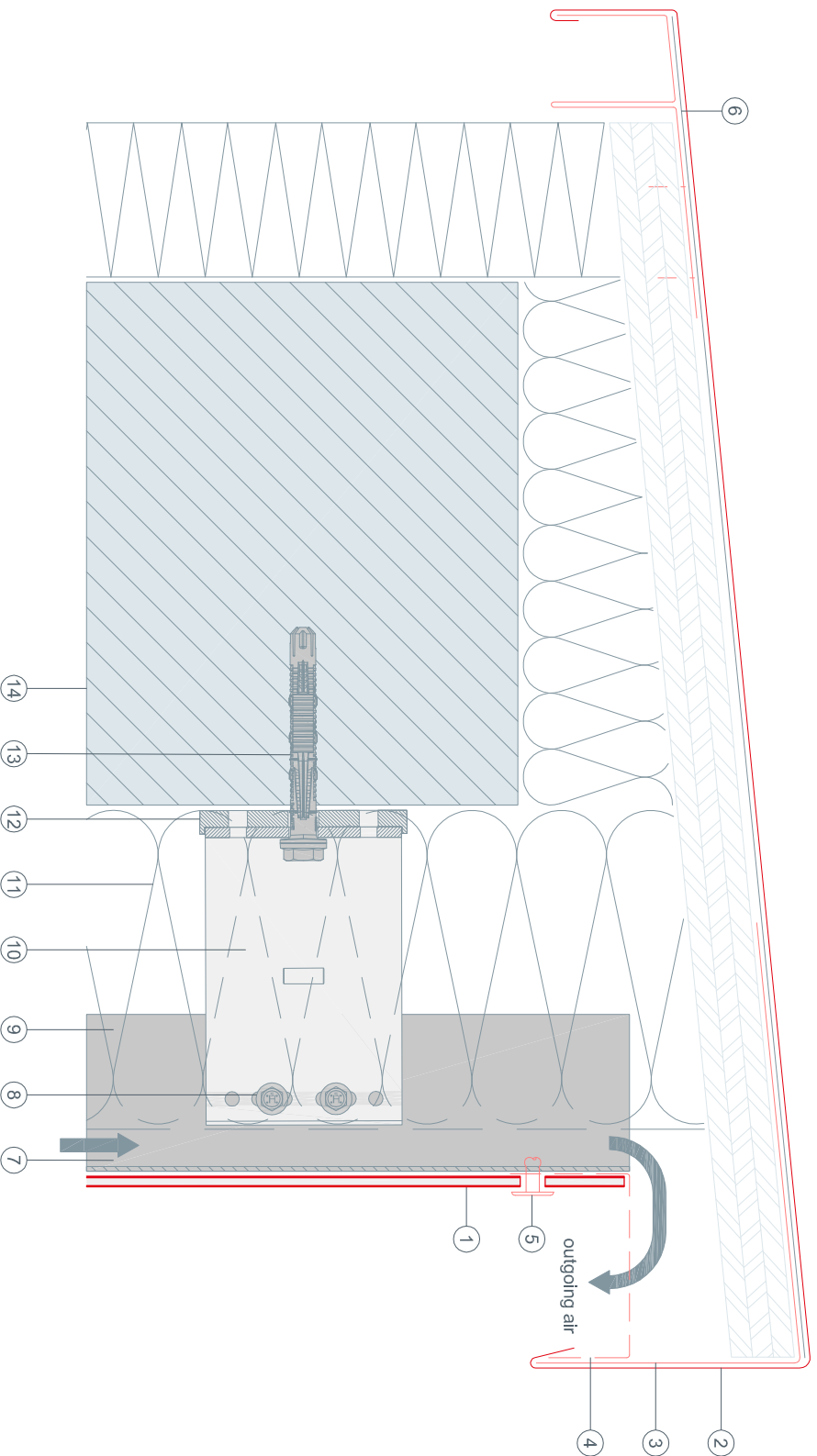


- ① PREFABOND (fastened mechanically)
- ② perforated metal plate (canted)
- ③ façade rivet
- ④ support profile
- ⑤ ventilation gap
- ⑥ connection screw
- ⑦ spacer bracket
- ⑧ insulation
- ⑨ thermal break
- ⑩ fastener driven into the supporting structure
- ⑪ structural substrate



STARK WIE EIN STIER

roof parapet vertical cross-section PREFABOND (fastened mechanically) CAD DETAILS



- ① PREFABOND (fastened mechanically)
- ② roof parapet flashing
- ③ cleat strip
- ④ perforated metal plate (canted)
- ⑤ facade rivet
- ⑥ separation layer
- ⑦ support profile
- ⑧ ventilation gap
- ⑨ connection screw
- ⑩ spacer bracket
- ⑪ insulation
- ⑫ thermal break
- ⑬ fastener driven into the supporting structure
- ⑭ structural substrate