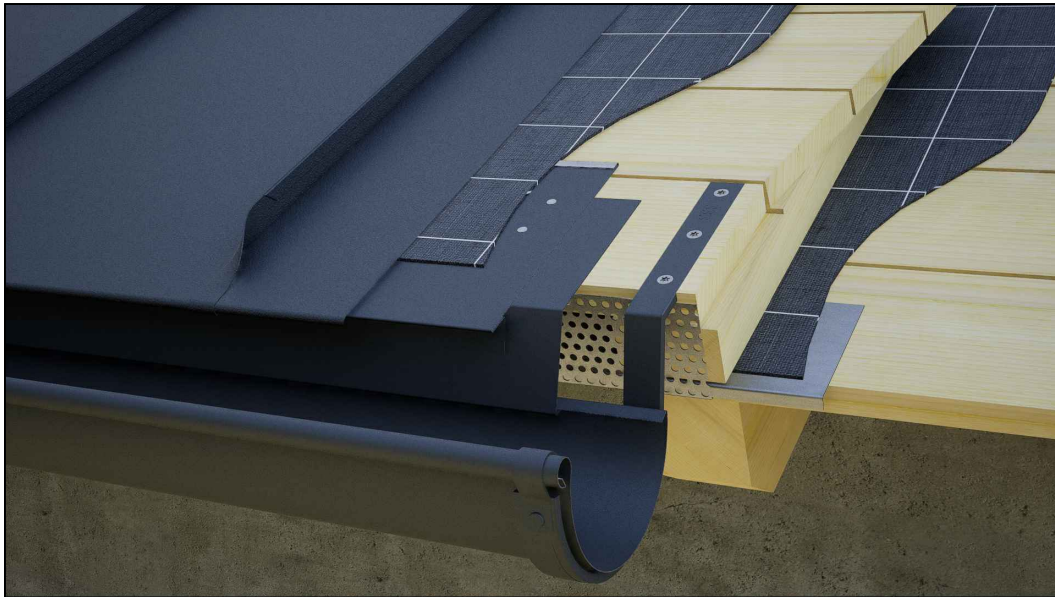




**STARK WIE EIN STIER**

# Prefalz

## CAD DETAILS



### CONTENTS:

- 2 MINIMUM ROOF PITCH
- 3 Forming transverse seams
- 4 seam formation
- 5 seam formation
- 6 hip and ridge construction (non-ventilated)
- 7 step-shaped transition formation with sprocket (step work)
- 8 step-shaped transition formation (step work)
- 9 roof break (variant 1)
- 10 roof break (variant 2)
- 11 roof break (variant 3)
- 12 roof break (variant 4)
- 13 labyrinth ventilation system
- 14 ridge construction — variant
- 15 one-sided ridge ventilation
- 16 mono-pitched-roof end with ventilation gap
- 17 frog-mouth vent cover
- 18 ridge ventilation with ridge vent — variant
- 19 ridge ventilation with ridge vent — variant
- 20 one-sided ridge ventilation
- 21 lateral wall connection
- 22 wall ventilation with wall connection
- 23 roof parapet VAR 1
- 24 roof parapet VAR 2
- 25 joint connection variants
- 26 roof verge constructions
- 27 safety valley
- 28 recessed valley
- 29 eaves construction — on-roof gutter
- 30 eaves construction with on-roof gutter (with ventilation gap) — variants 1
- 31 eaves construction — on-roof gutter with ventilation gap — variants 2
- 32 construction of an angled edge
- 33 eaves construction
- 34 inlaid gutter
- 35 roof anchor hook SDH Industry 31
- 36 walkway support
- 37 solar bracket Sunny
- 38 seam clamps
- 39 internal box gutter
- 40 cable feed-through on roof conduit
- 41 cable feed-through on ridge ventilation
- 42 cable feed-through on adhesive flashing
- 43 lateral wall connection
- 44 valley construction with tapered double-lock standing seam strip
- 45 valley construction with parallel double-lock standing seam strip
- 46 solar bracket PREFALZ Vario



STARK WIE EIN STIER

# MINIMUM ROOF PITCH

## CAD DETAILS

MINIMUM ROOF PITCH	3°	5°	7°	12°	14°	16°	17°	22°	≥ 25°
Prefalz	<ul style="list-style-type: none"> <li>Observe national guidelines (roof underlay, no valleys/penetrations, etc.)</li> <li>Sealant in longitudinal seams.</li> </ul>								
* ROOF TILE				rafter length: up to 7 m					
				rafter length: 7–12 m					
				rafter length: > 12 m					
* R.16 ROOF TILE							up to 25°: to be installed on a separating layer		
* SHINGLE									
* RHOMBOID ROOF TILE 29 × 29									
* RHOMBOID ROOF TILE 44 × 44				rafter length: up to 7 m					
				rafter length: 7–12 m					
				rafter length: > 12 m					
* FX.12 ROOF PANEL							up to 25°: to be installed on a separating layer		

\* In general, we recommend using suitable separating layers.

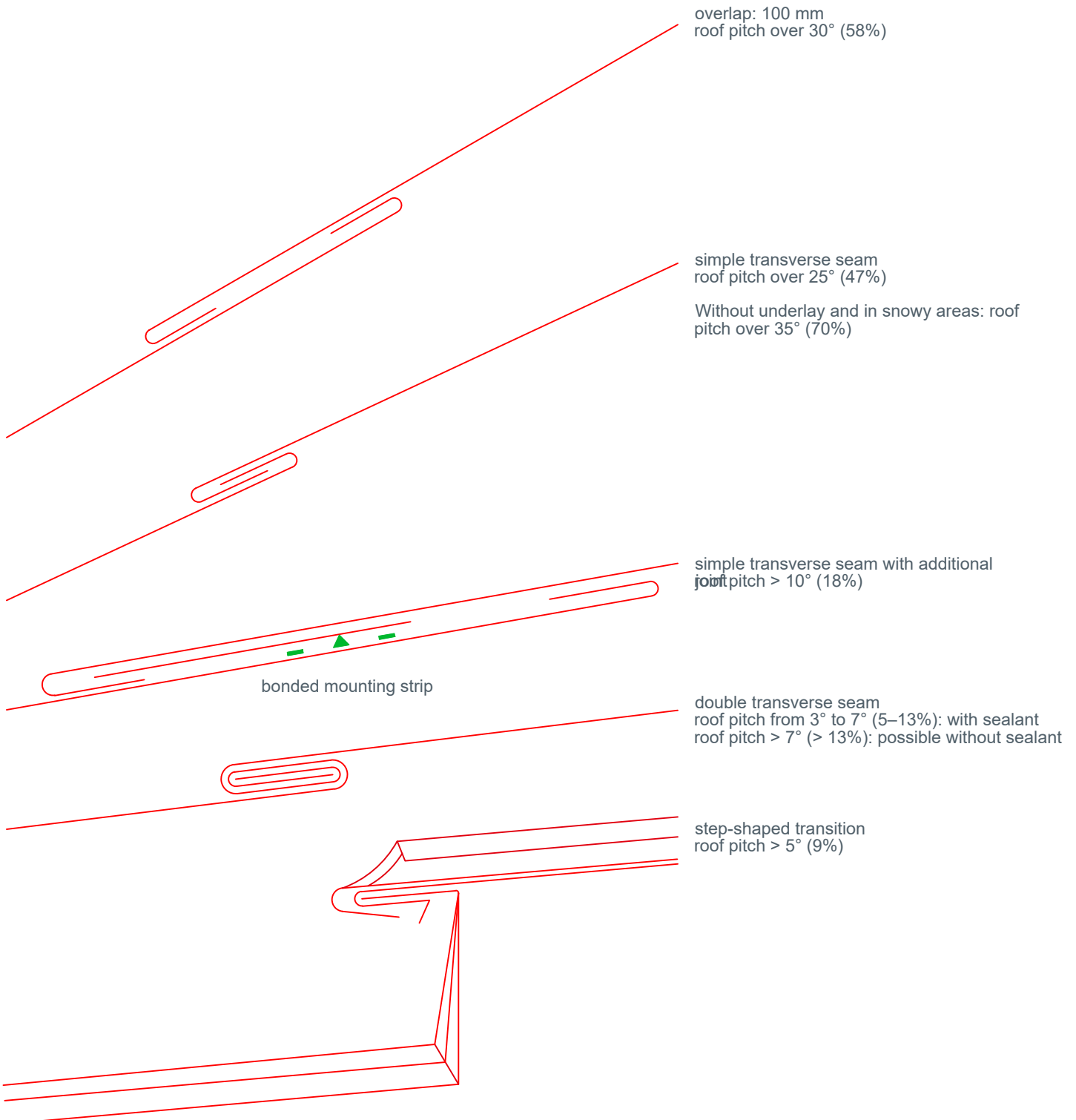
\* In the case of snow loads greater than 3.25 kN/m<sup>2</sup> or in terrain categories 0, I or II, installation on fully boarded substrate with a separation layer is required.



STARK WIE EIN STIER

# Forming transverse seams Prefalz

## CAD DETAILS



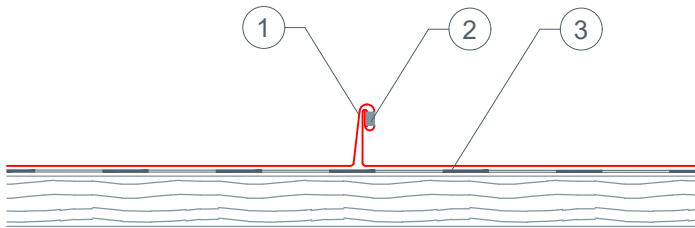


**STARK WIE EIN STIER**

# seam formation Prefalz

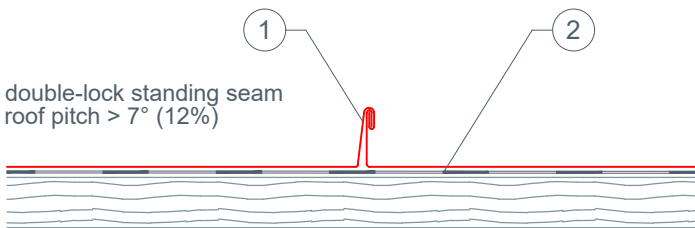
## CAD DETAILS

double-lock standing seam with seam sealing  
roof pitch  $\geq 3^\circ$  (5.2%)



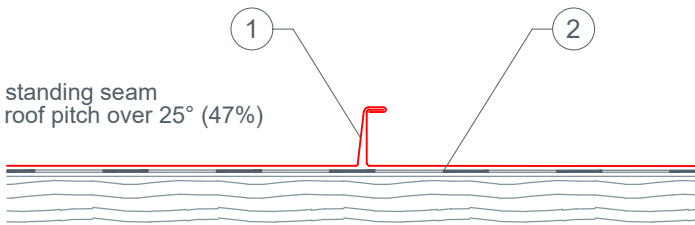
- ① double-lock standing seam
- ② sealant (sealing gel)
- ③ separating layer (conforming to national guidelines)

double-lock standing seam  
roof pitch  $> 7^\circ$  (12%)



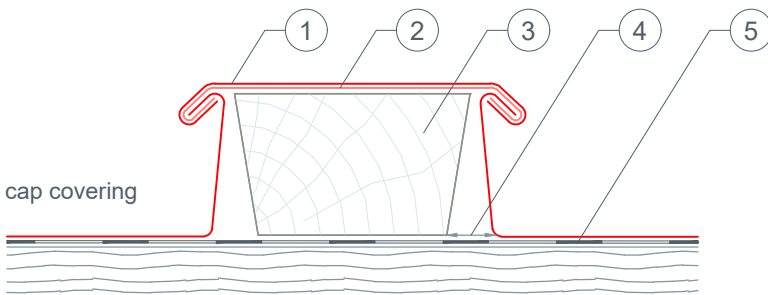
- ① double-lock standing seam
- ② separating layer (conforming to national guidelines)

standing seam  
roof pitch over  $25^\circ$  (47%)



- ① standing seam
- ② separating layer (conforming to national guidelines)

cap covering



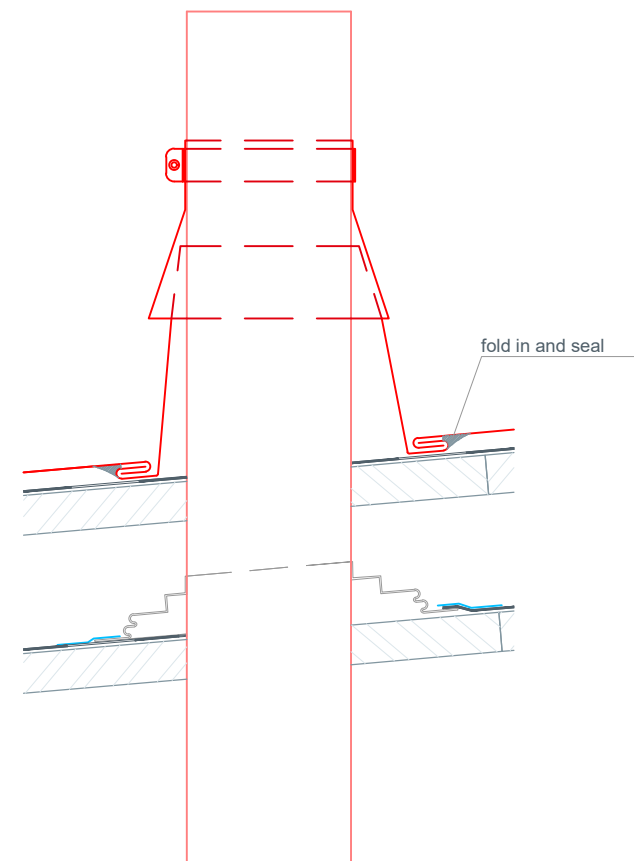
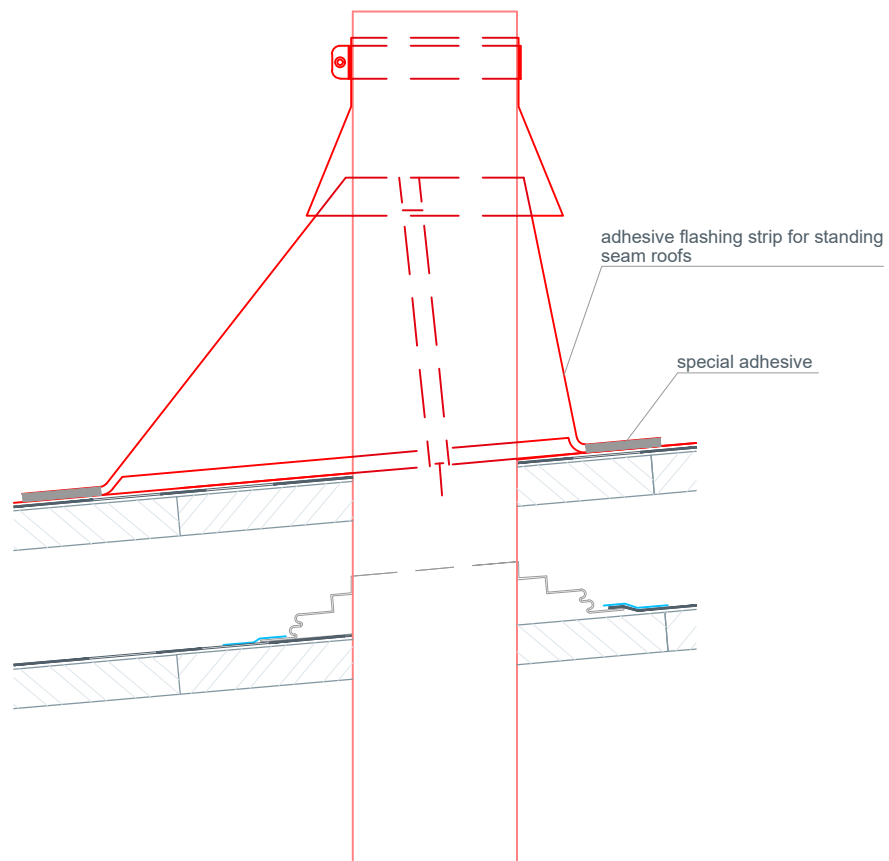
- ① cover strip
- ② cleat strip
- ③ trapezoidal strip
- ④ space for expansion
- ⑤ separating layer (conforming to national guidelines)



STARK WIE EIN STIER

# pipe connection Prefalz

## CAD DETAILS

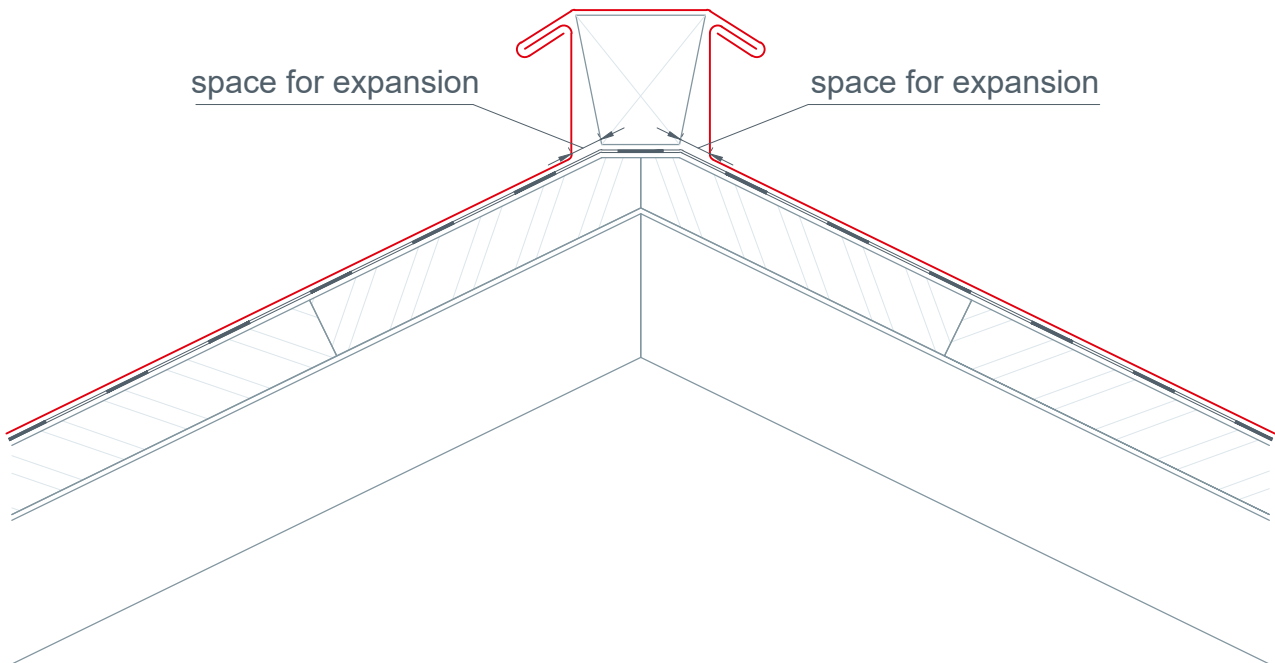
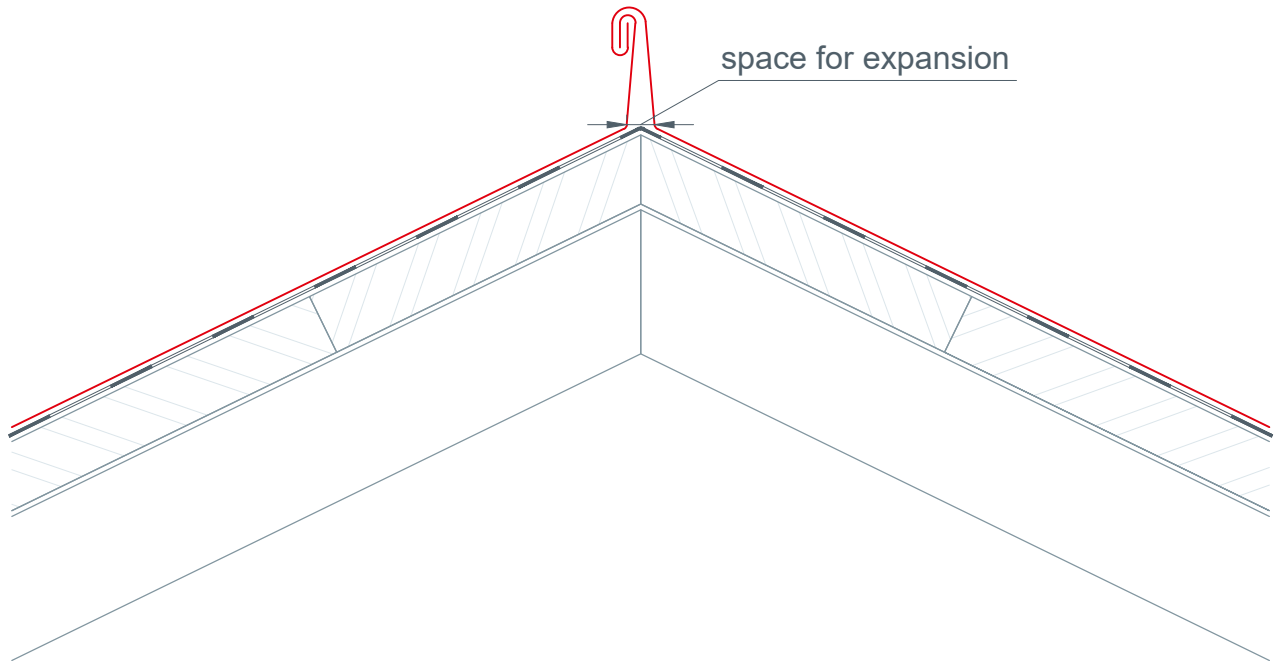




STARK WIE EIN STIER

# hip and ridge construction (non-ventilated) Prefalz

CAD DETAILS

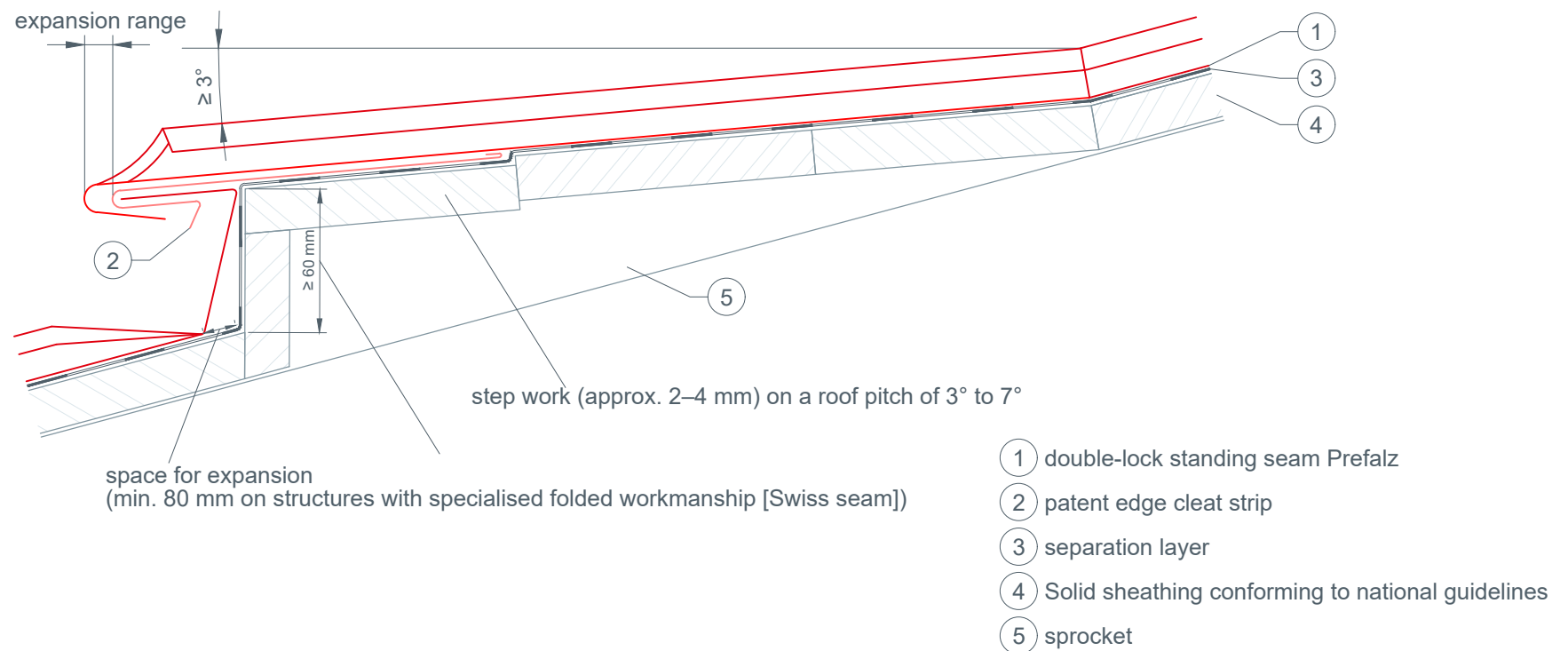




STARK WIE EIN STIER

# step-shaped transition formation with sprocket (step work) Prefalz

CAD DETAILS





STARK WIE EIN STIER

# step-shaped transition formation (step work) Prefalz

CAD DETAILS

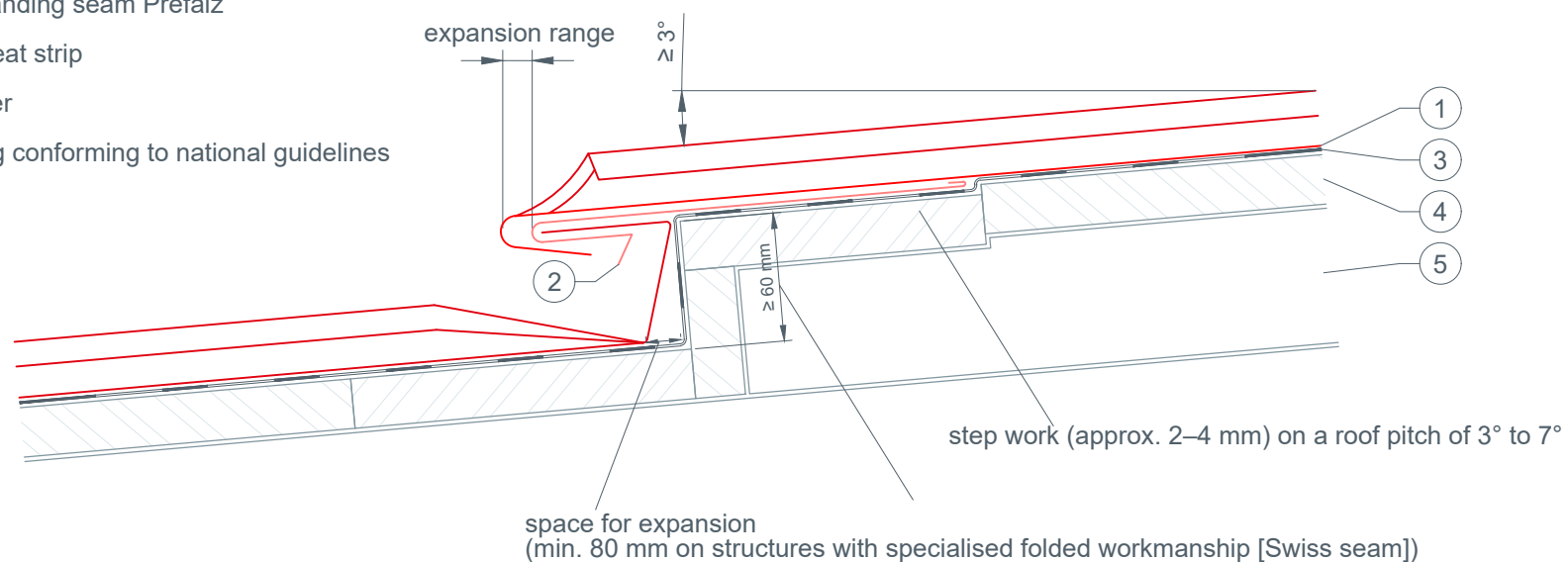
① double-lock standing seam Prefalz

② patent edge cleat strip

③ separation layer

④ Solid sheathing conforming to national guidelines

⑤ counter batten



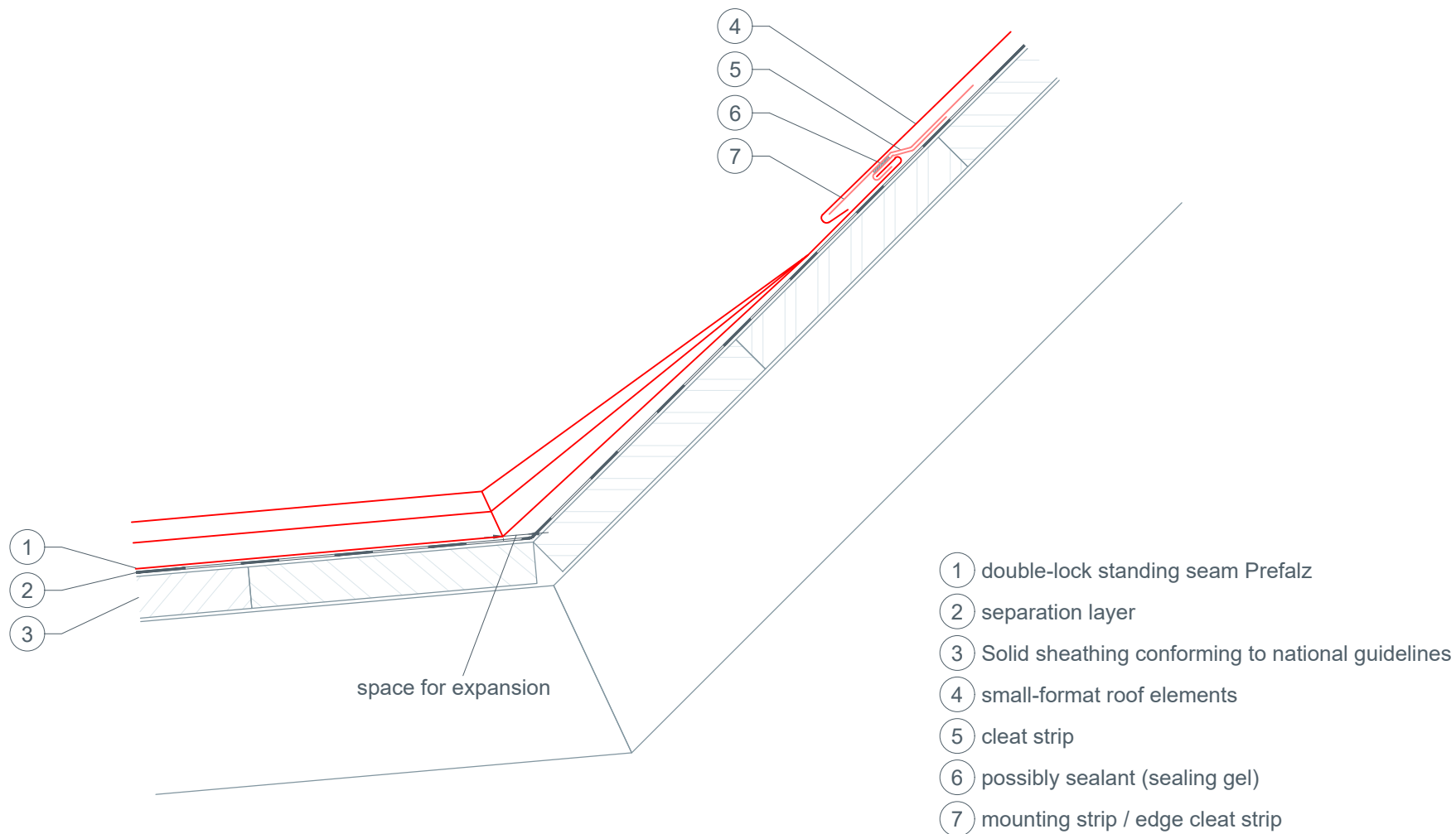




STARK WIE EIN STIER

# roof break (variant 1) Prefalz

## CAD DETAILS

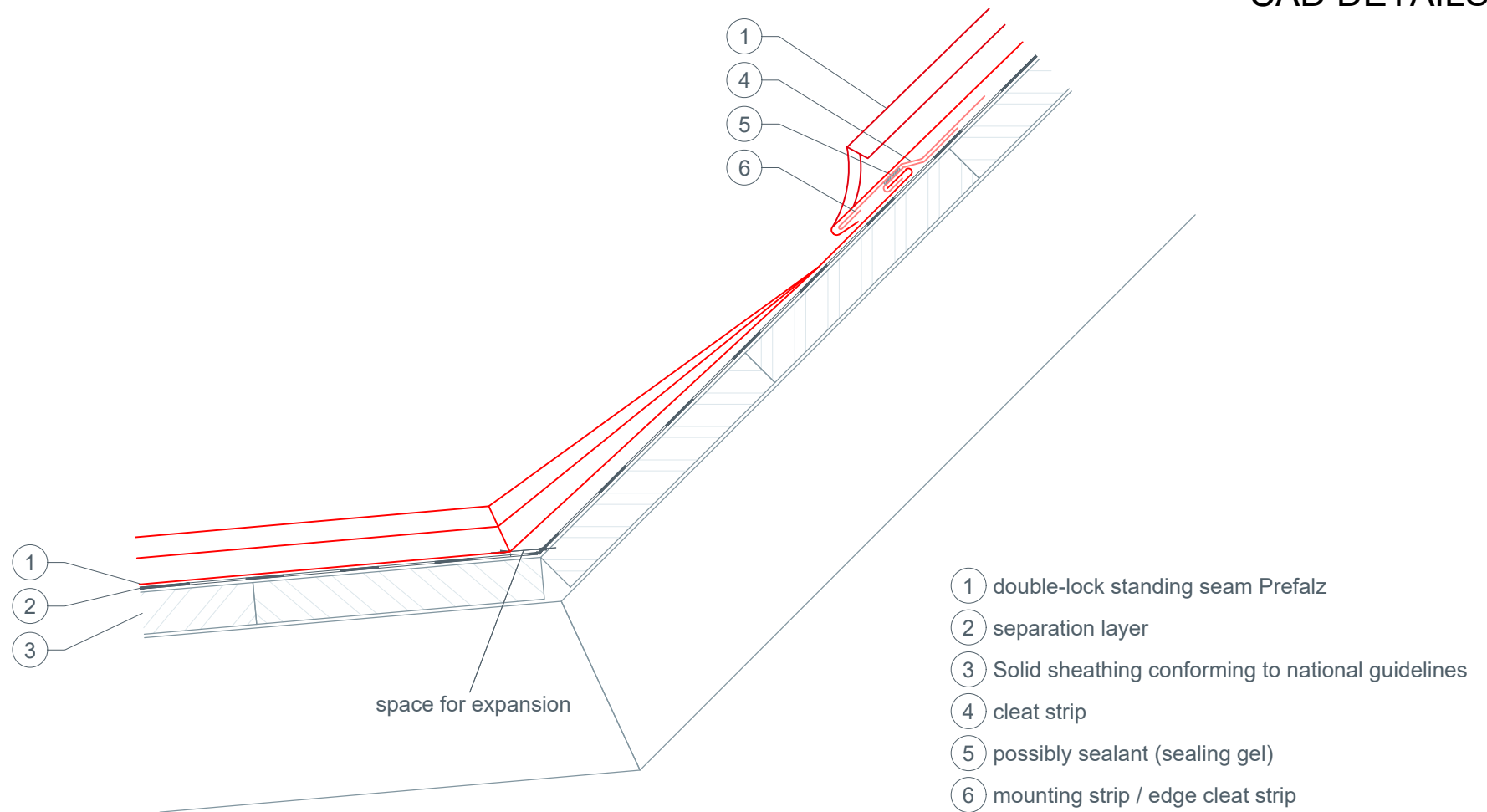




STARK WIE EIN STIER

# roof break (variant 2) Prefalz

## CAD DETAILS

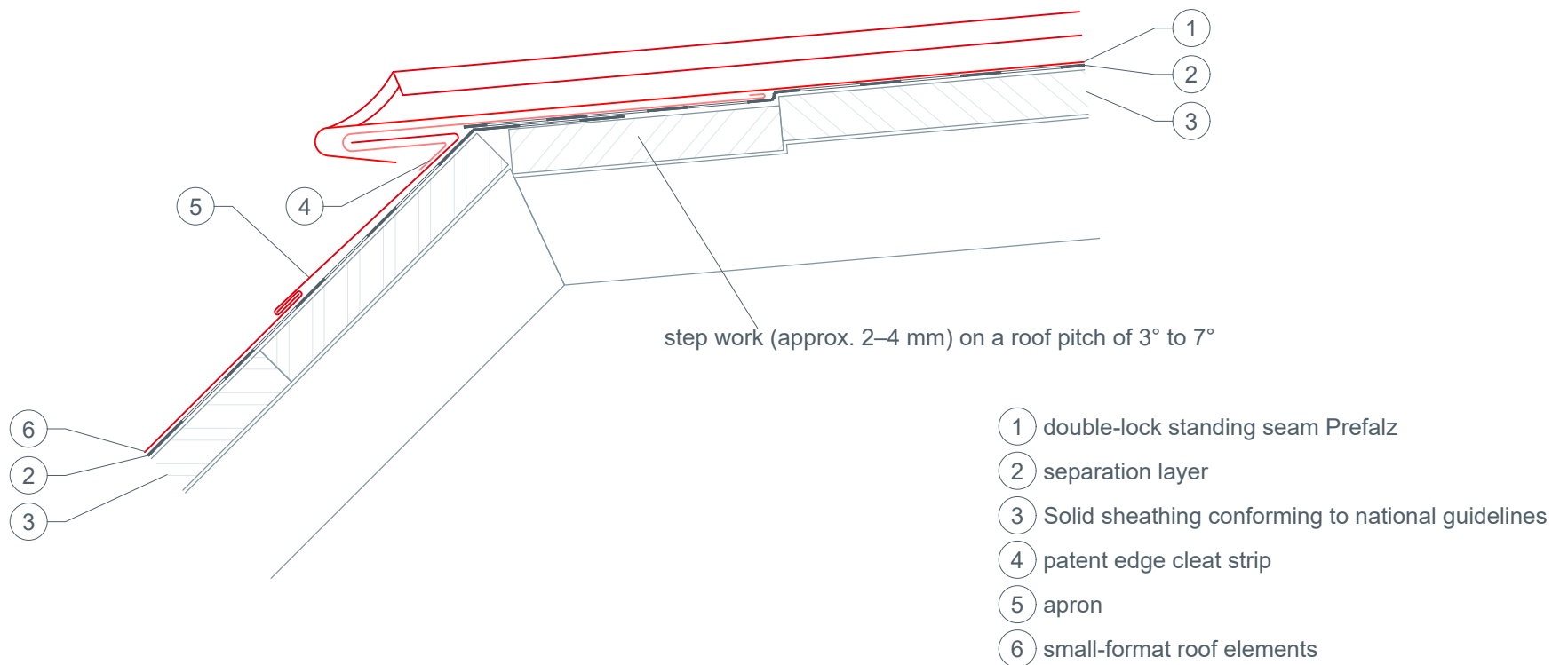




STARK WIE EIN STIER

# roof break (variant 3) Prefalz

## CAD DETAILS

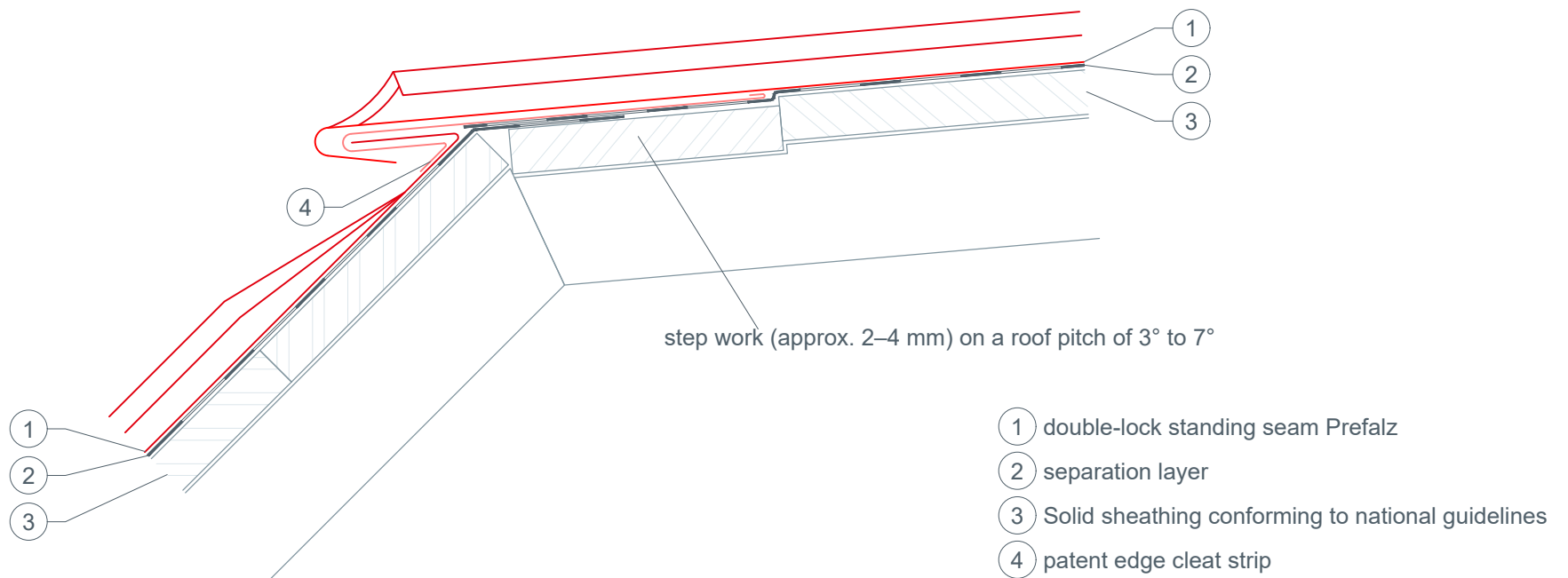




STARK WIE EIN STIER

# roof break (variant 4) Prefalz

## CAD DETAILS



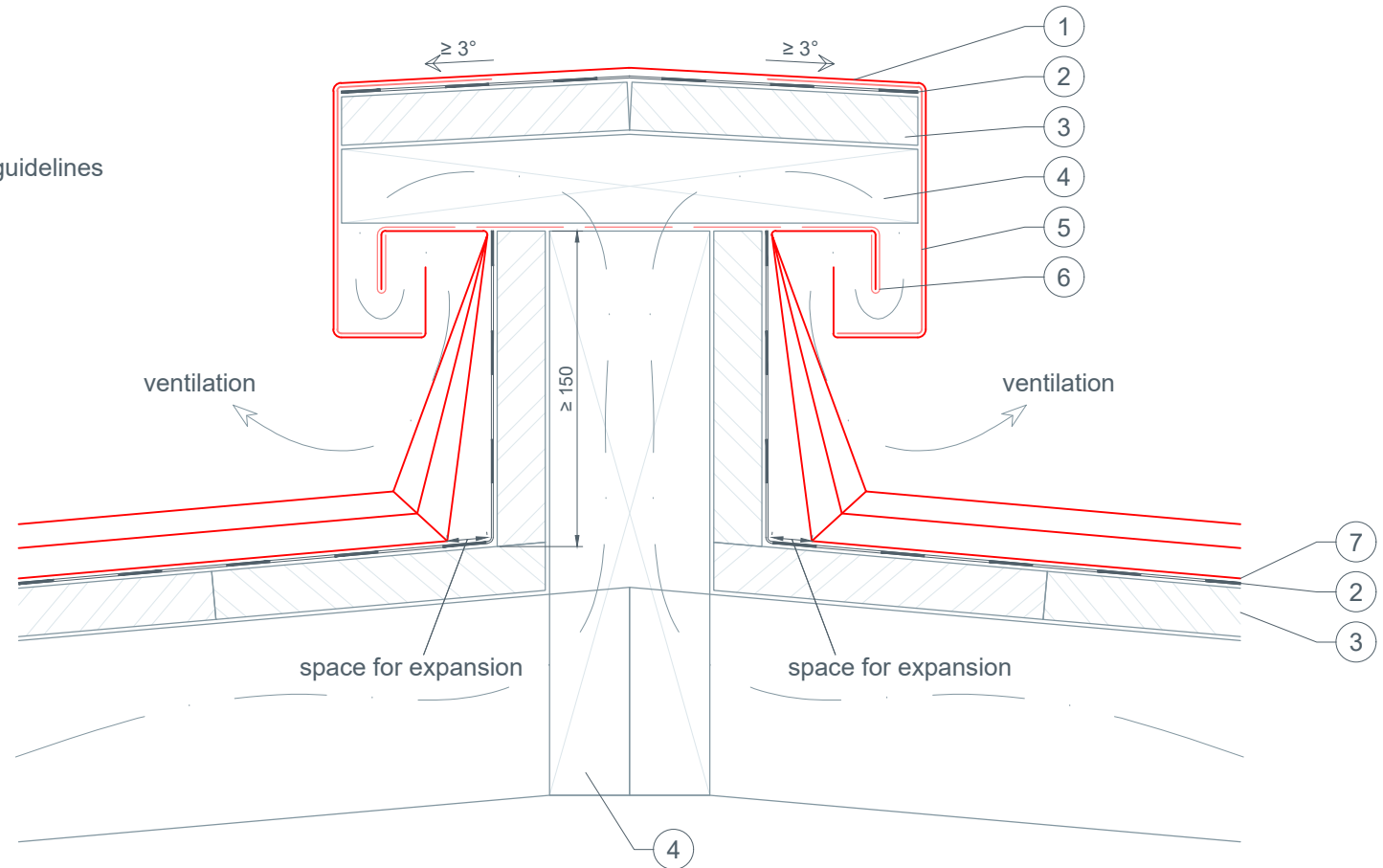


STARK WIE EIN STIER

# labyrinth ventilation system Prefalz

## CAD DETAILS

- ① Prefalz ridge cap
- ② separation layer
- ③ Solid sheathing conforming to national guidelines
- ④ square timber
- ⑤ patent edge cleat strip
- ⑥ perforated metal plate
- ⑦ double-lock standing seam Prefalz



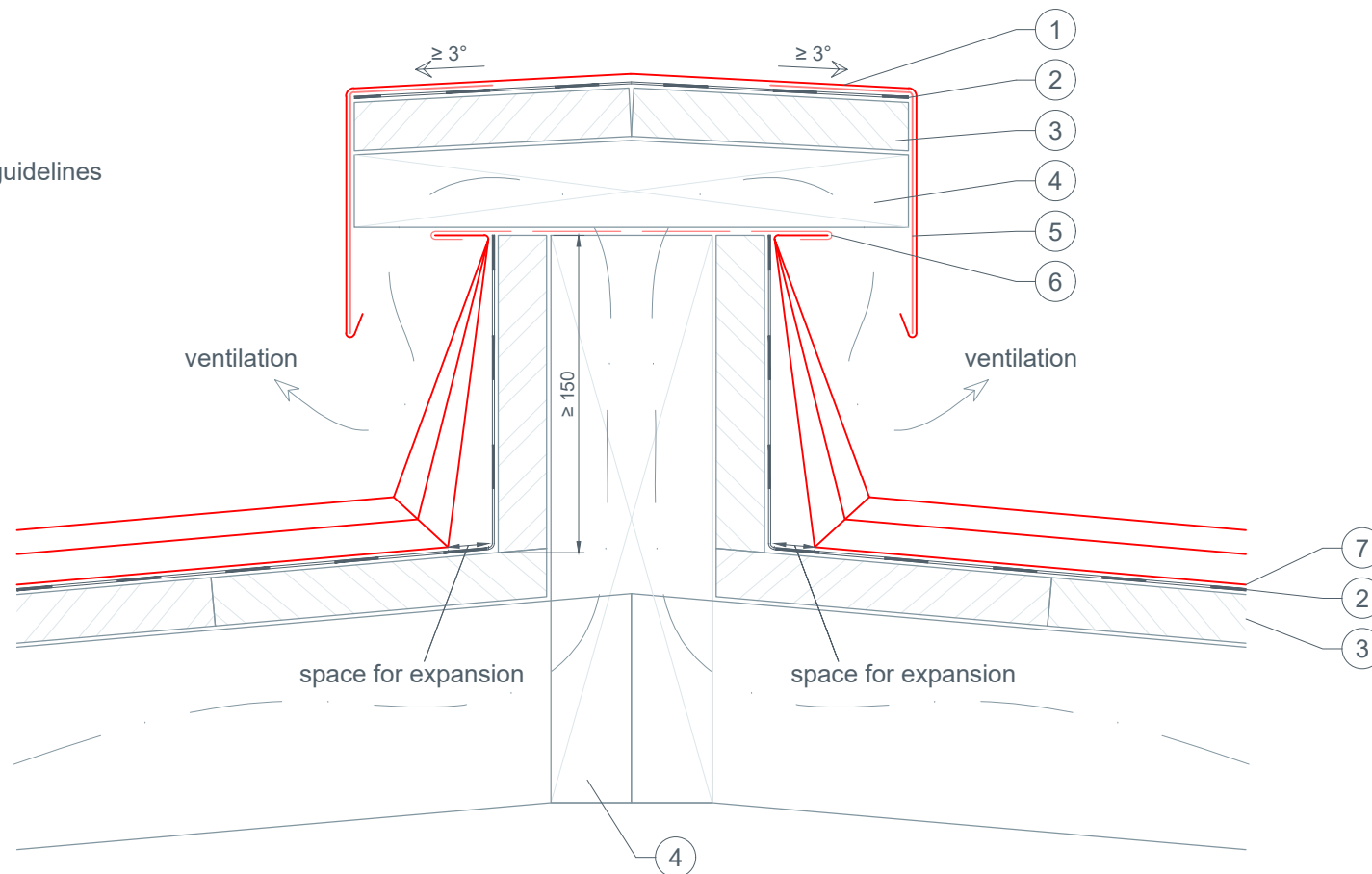


STARK WIE EIN STIER

# ridge construction — variant Prefalz

## CAD DETAILS

- ① Prefalz ridge cap
- ② separation layer
- ③ Solid sheathing conforming to national guidelines
- ④ square timber
- ⑤ edge cleat strip
- ⑥ perforated metal plate
- ⑦ double-lock standing seam Prefalz



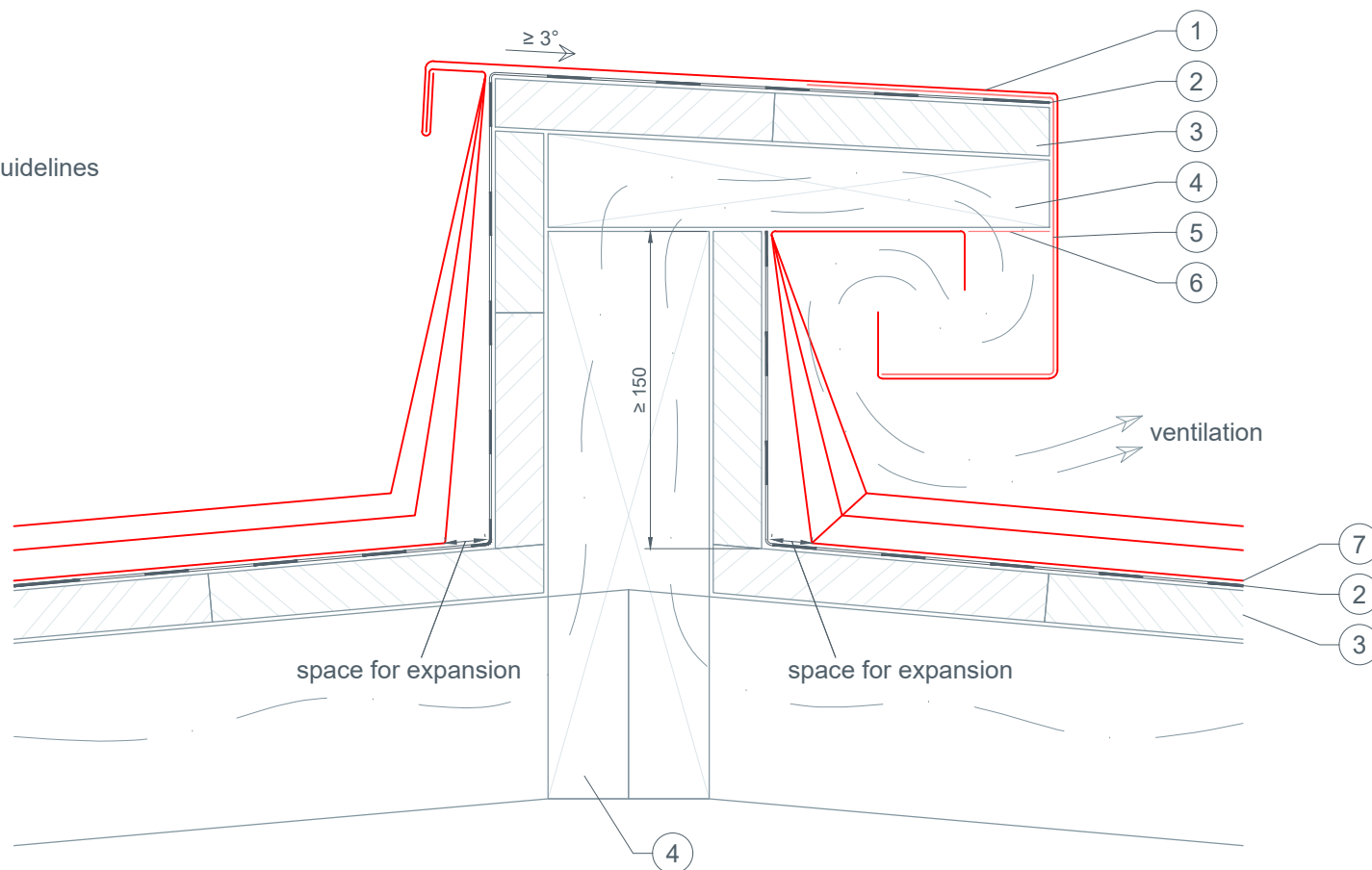


STARK WIE EIN STIER

# one-sided ridge ventilation Prefalz

## CAD DETAILS

- ① Prefalz ridge cap
- ② separation layer
- ③ Solid sheathing conforming to national guidelines
- ④ square timber
- ⑤ cleat strip
- ⑥ perforated metal plate
- ⑦ double-lock standing seam Prefalz

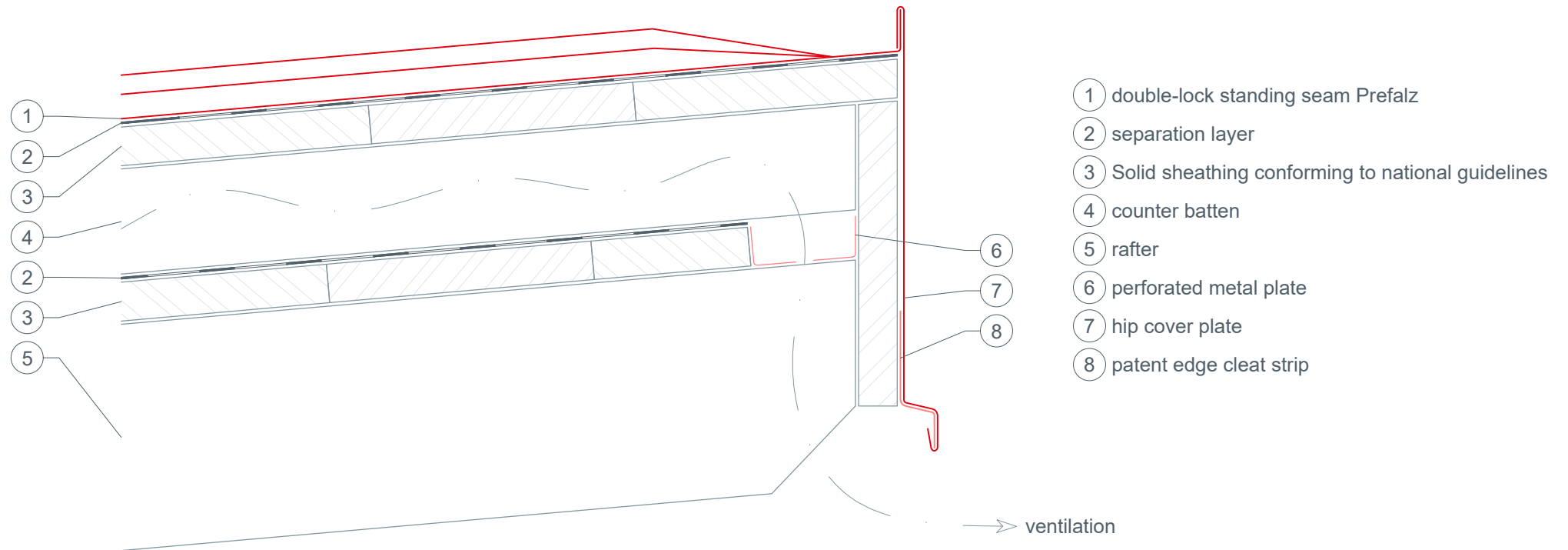




STARK WIE EIN STIER

# mono-pitched-roof end with ventilation gap Prefalz

CAD DETAILS



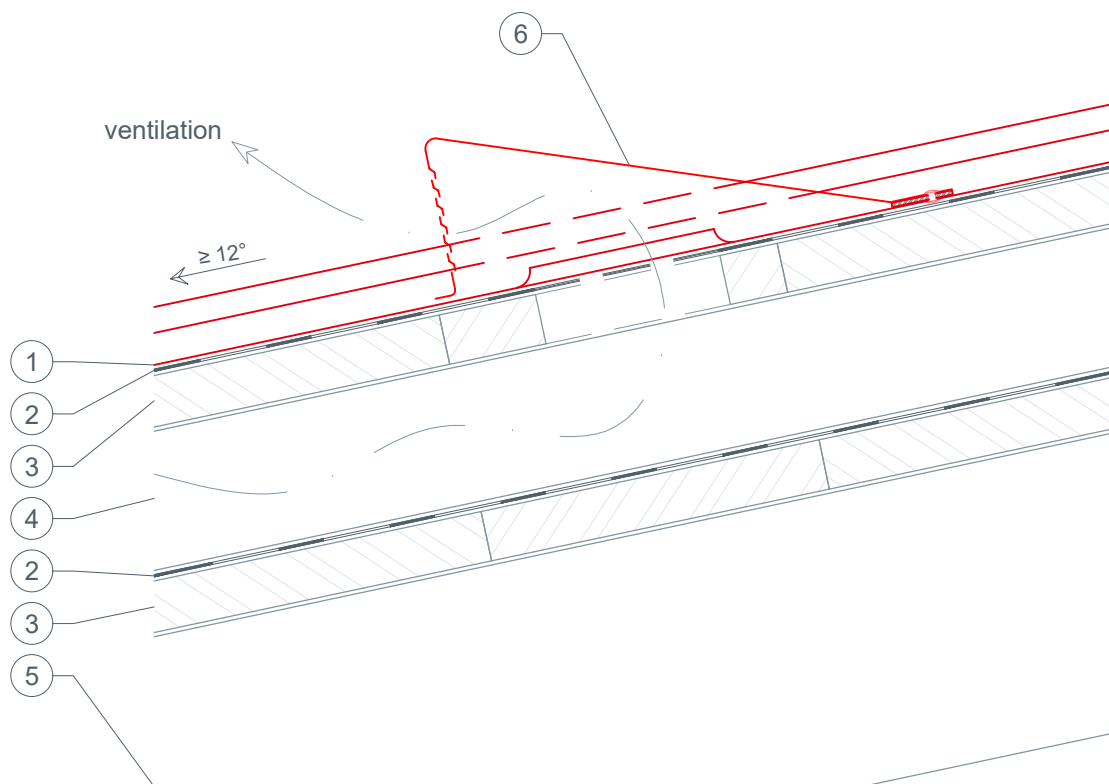




STARK WIE EIN STIER

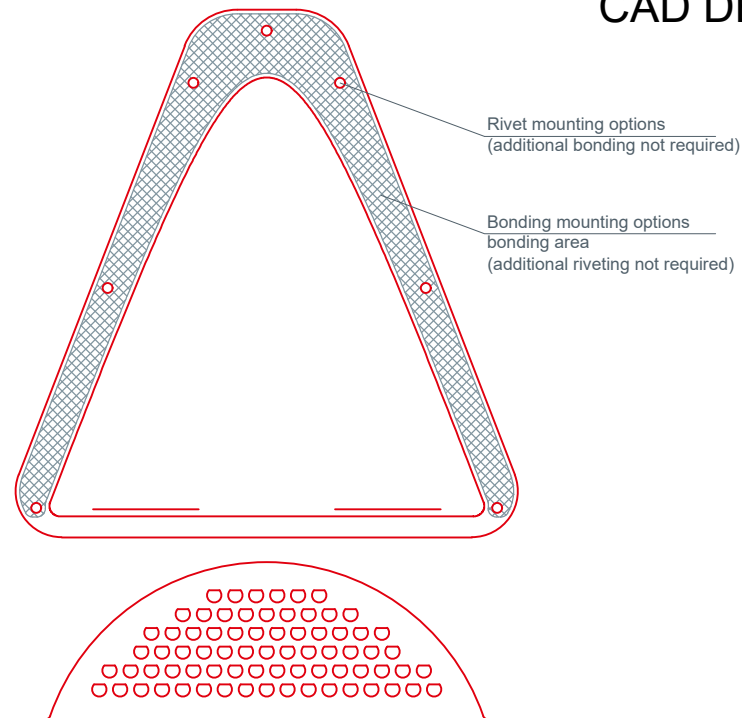
# frog-mouth vent cover Prefalz

## CAD DETAILS



**Information:**

air intake section of frog-mouth vents: approx. 30 cm<sup>2</sup>  
 the air intake section must be taken into account when cutting out the sheathing and the separating layer (diameter: approx. 10 cm).  
 The edges of the cut-outs on the roof covering must be surrounded by a raised curve with a height of 1 cm.



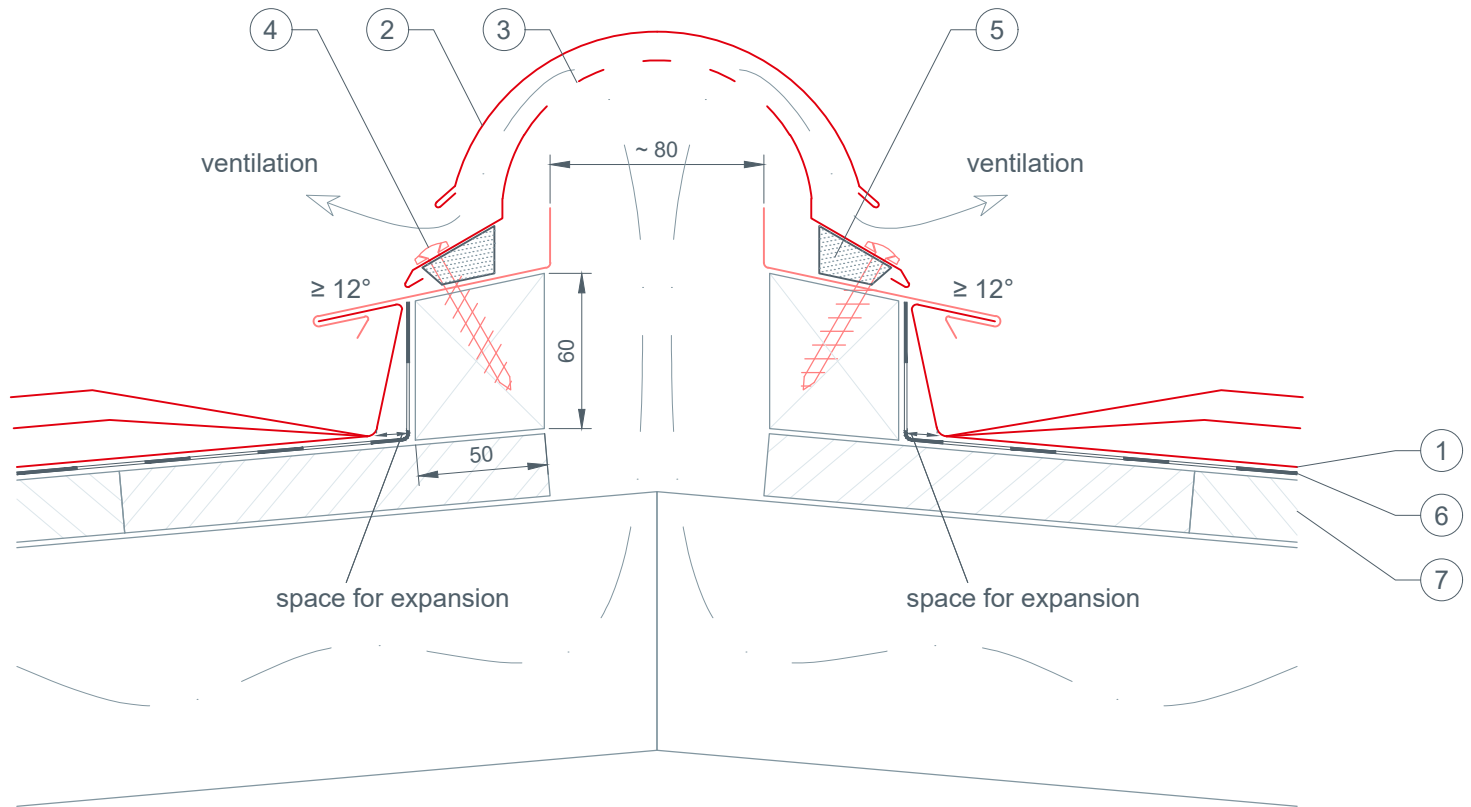
- ① double-lock standing seam Prefalz
- ② separation layer
- ③ Solid sheathing conforming to national guidelines
- ④ counter batten
- ⑤ rafter
- ⑥ frog-mouth vent cover



STARK WIE EIN STIER

# ridge ventilation with ridge vent — variant Prefalz

## CAD DETAILS



- ① double-lock standing seam Prefalz
- ② ridge vent
- ③ round perforations
- ④ sealing screw
- ⑤ self-adhesive foam wedge
- ⑥ separation layer
- ⑦ Solid sheathing conforming to national guidelines

### Information:

According to the specialist guidelines for sheet metal work (Part 1, 2014), upstands should generally be raised by 150 mm (measured at right angles).

Depending on the roof structure (underlay) and roof pitch (taking the local climatic conditions into account), it is possible to reduce the height of the upstand (bespoke construction).

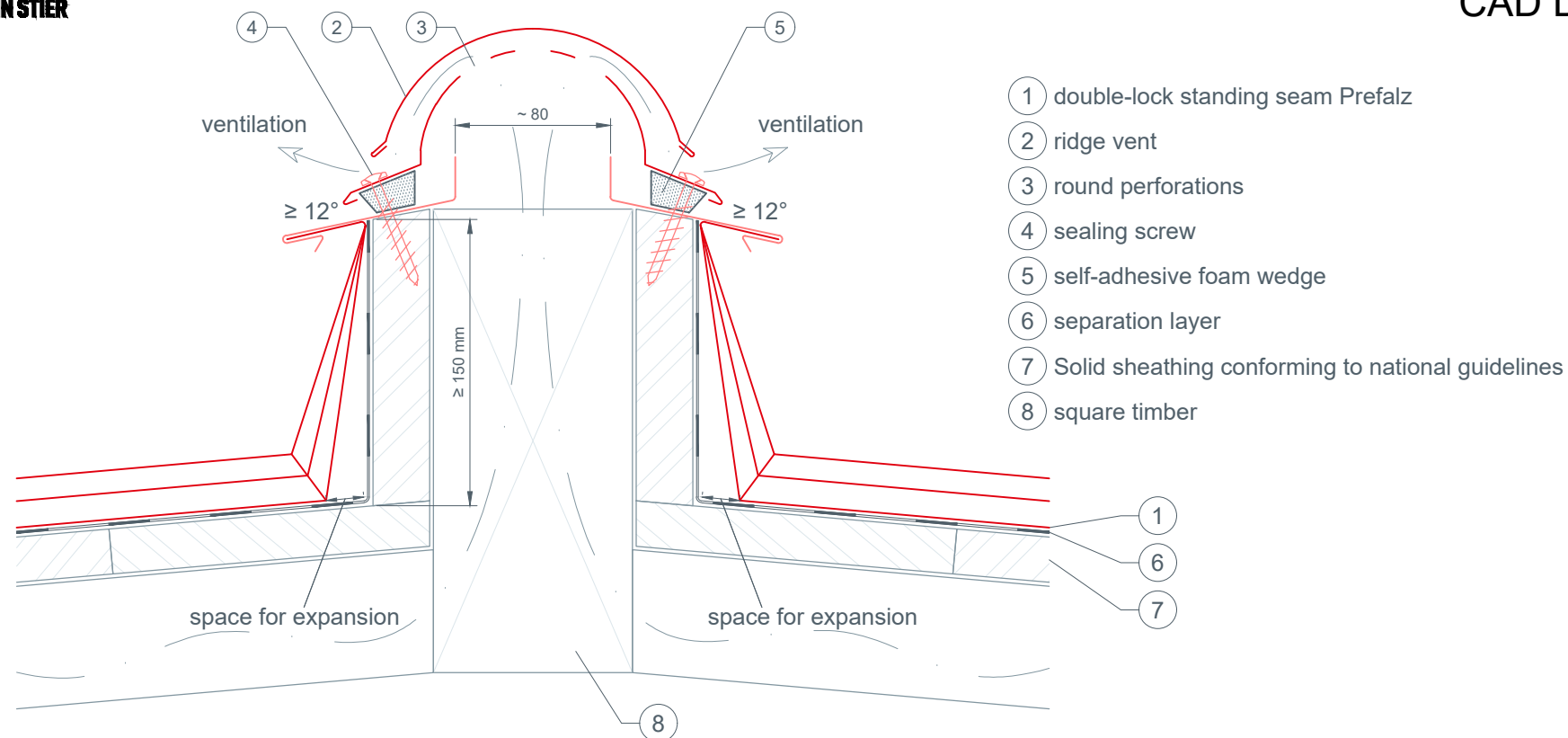
When positioning air inlets on the ridge side of single-skin roof structures, penetration by drifting snow cannot be completely ruled out.



STARK WIE EIN STIER

# ridge ventilation with ridge vent — variant Prefalz

## CAD DETAILS



### Information:

According to the specialist guidelines for sheet metal work (Part 1, 2014), upstands should generally be raised by 150 mm (measured at right angles).

Depending on the roof structure (underlay) and roof pitch (taking the local climatic conditions into account), it is possible to reduce the height of the upstand (bespoke construction).

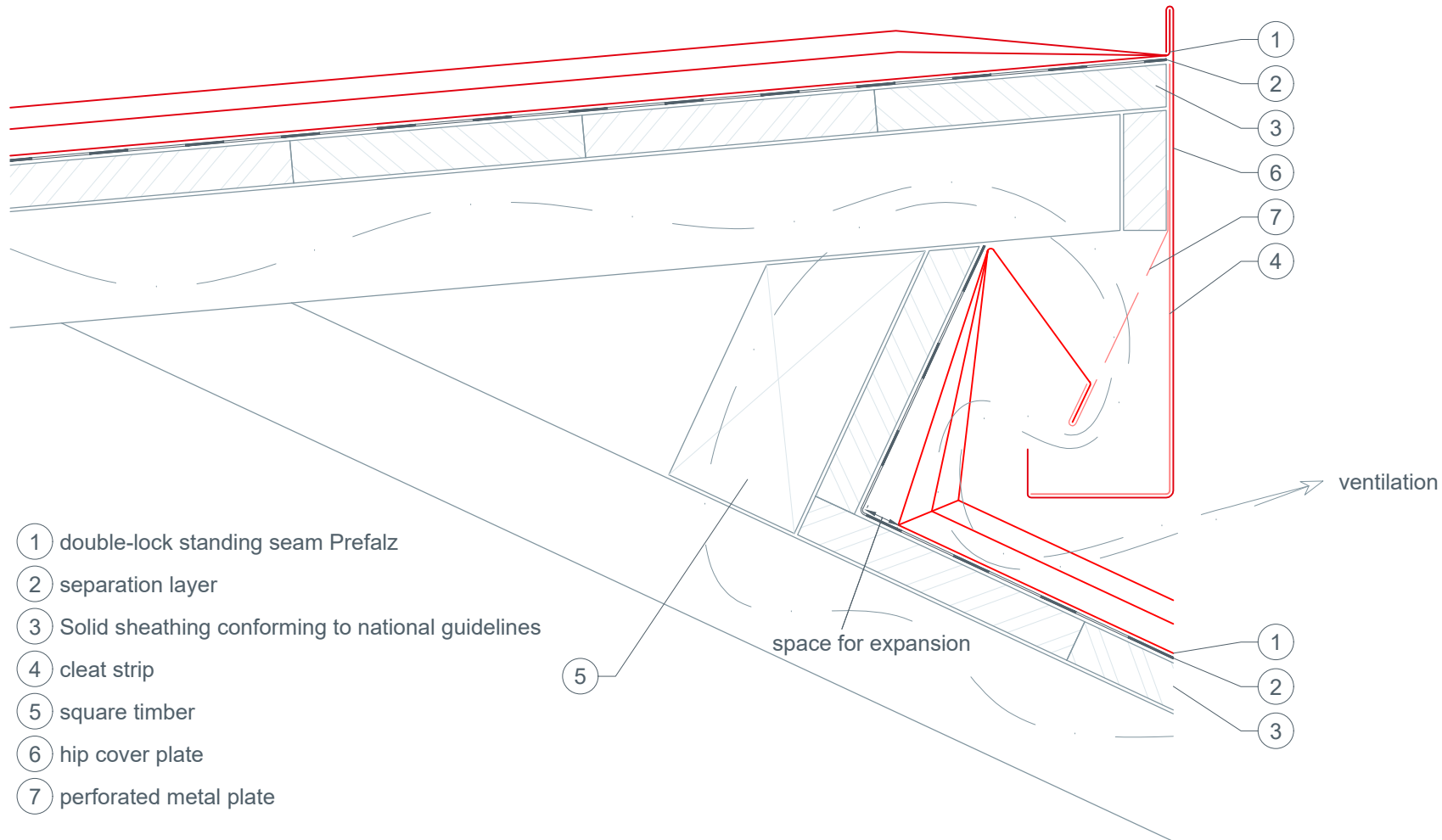
When positioning air inlets on the ridge side of single-skin roof structures, penetration by drifting snow cannot be completely ruled out.



STARK WIE EIN STIER

# one-sided ridge ventilation Prefalz

## CAD DETAILS

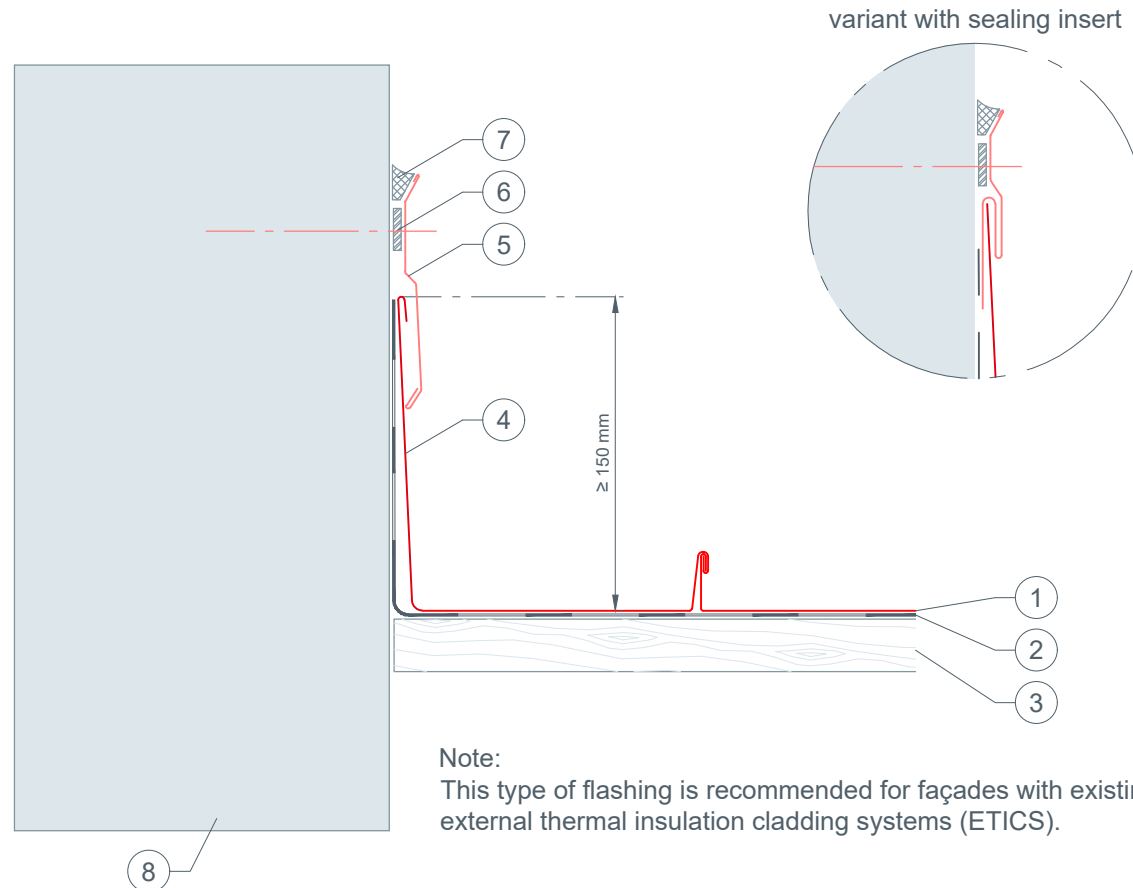




STARK WIE EIN STIER

# lateral wall connection Prefalz

## CAD DETAILS



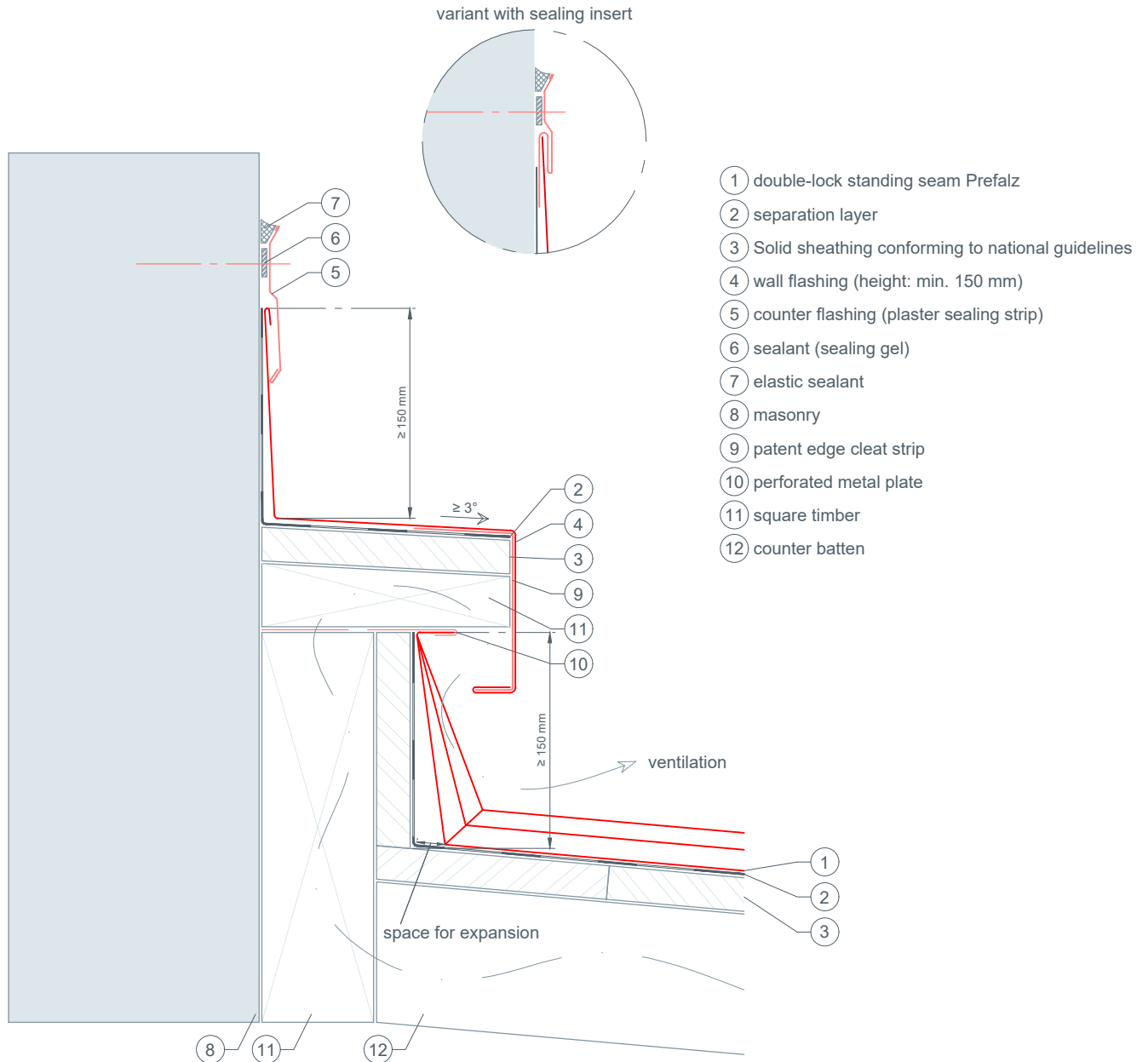
- ① double-lock standing seam Prefalz
- ② separation layer
- ③ Solid sheathing conforming to national guidelines
- ④ wall flashing (height: min. 150 mm)
- ⑤ counter flashing (plaster sealing strip)
- ⑥ sealant (sealing gel)
- ⑦ elastic sealant
- ⑧ masonry



STARK WIE EIN STIER

# wall ventilation with wall connection Prefalz

## CAD DETAILS

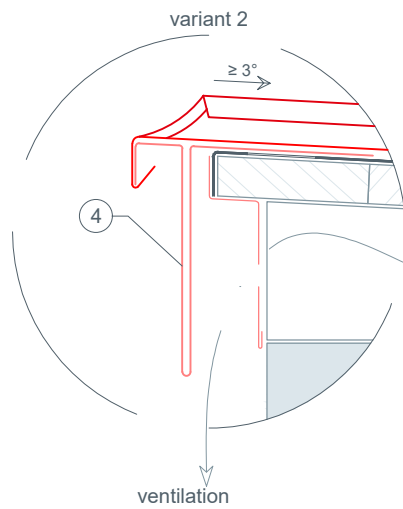
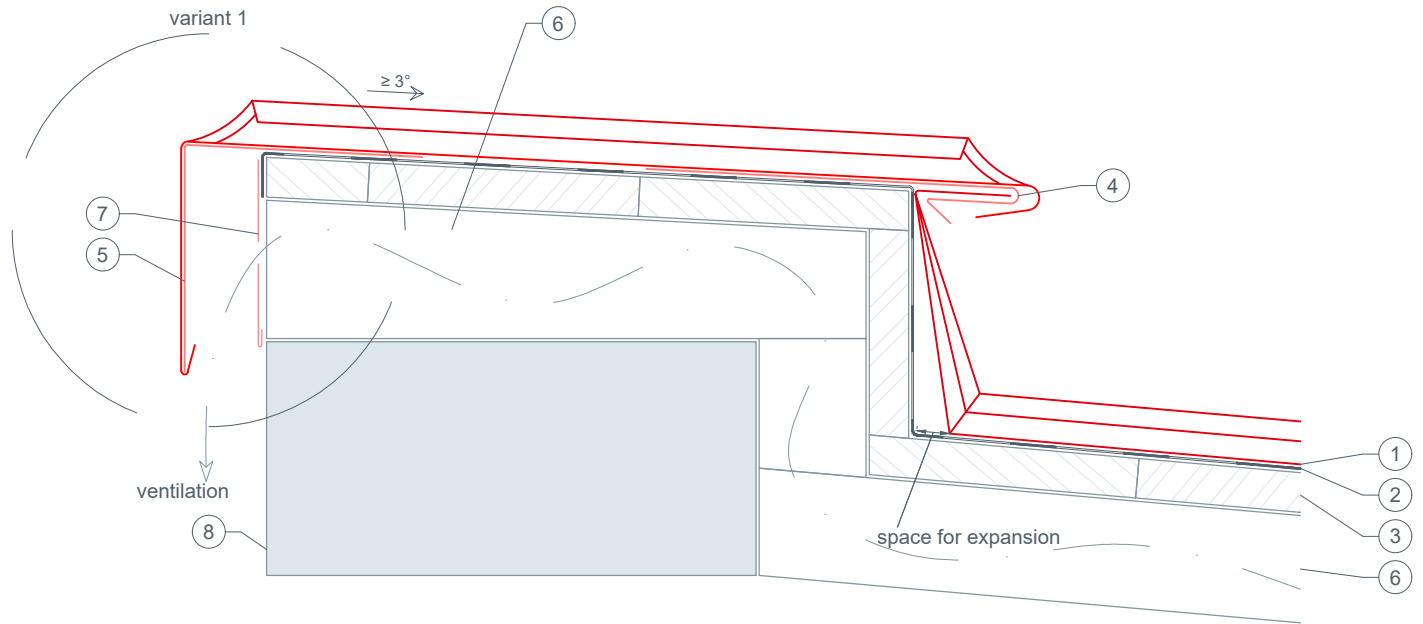




STARK WIE EIN STIER

# roof parapet VAR 1 Prefalz

## CAD DETAILS



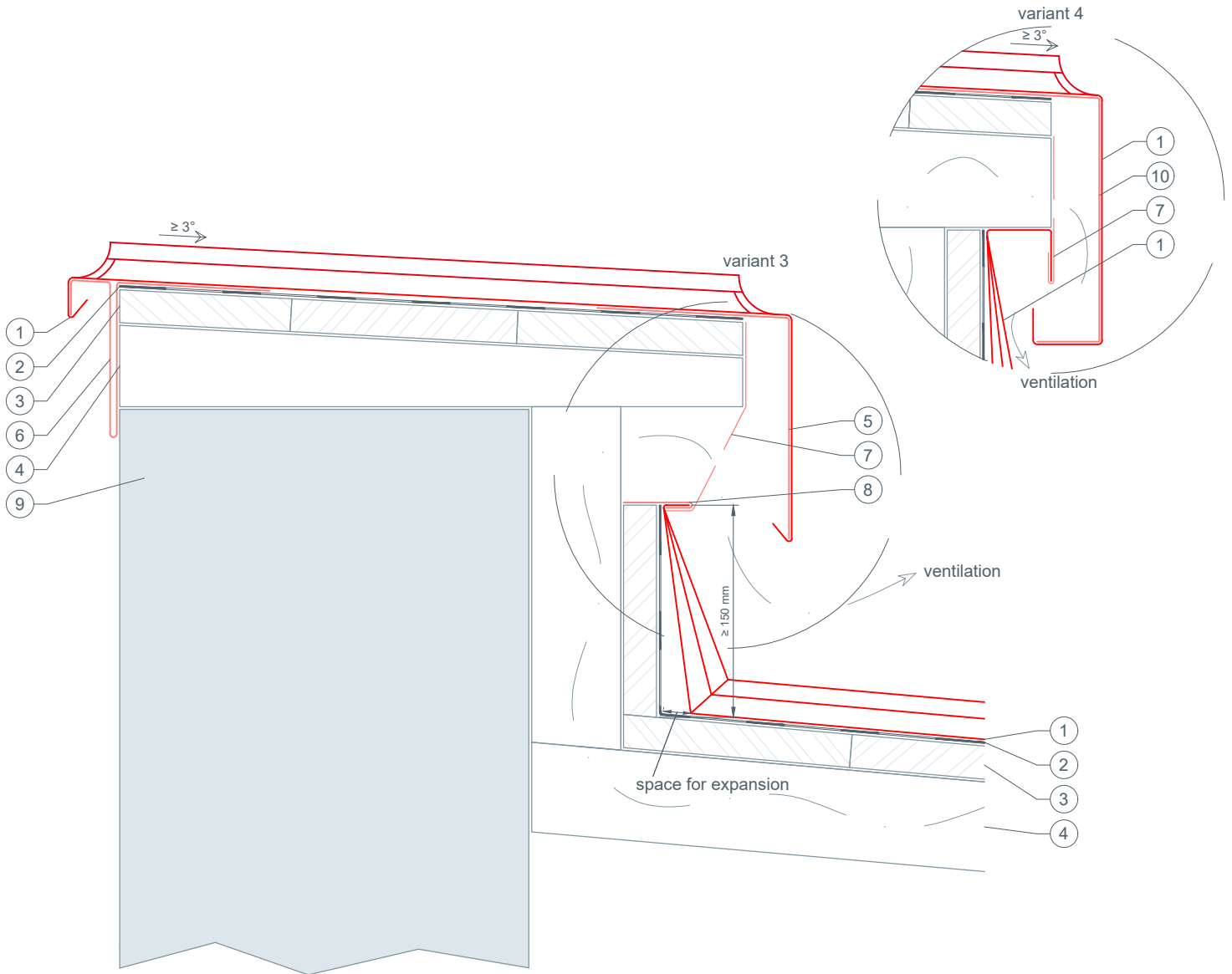
- ① double-lock standing seam Prefalz
- ② separation layer
- ③ Solid sheathing conforming to national guidelines
- ④ patent edge cleat strip
- ⑤ edge cleat strip
- ⑥ counter batten
- ⑦ perforated metal plate
- ⑧ masonry



STARK WIE EIN STIER

# roof parapet VAR 2 Prefalz

## CAD DETAILS



- ① double-lock standing seam Prefalz
- ② separation layer
- ③ Solid sheathing conforming to national guidelines
- ④ counter batten
- ⑤ edge cleat strip
- ⑥ patent edge cleat strip
- ⑦ perforated metal plate
- ⑧ fixing strip
- ⑨ masonry
- ⑩ cleat strip

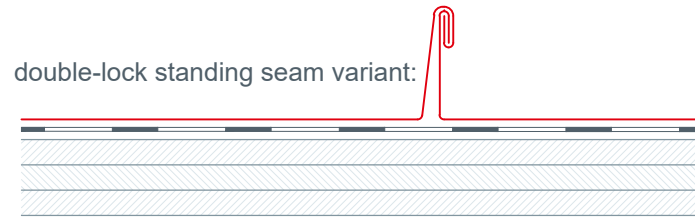




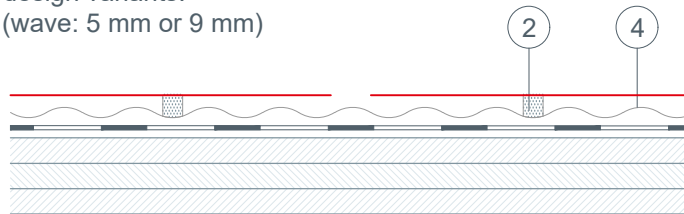
STARK WIE EIN STIER

# joint connection variants Prefalz

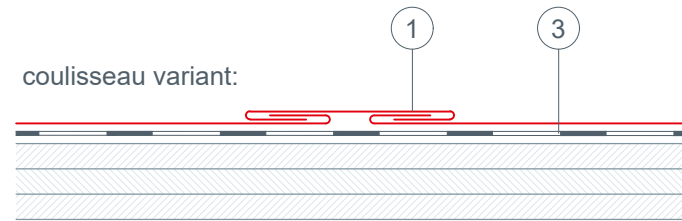
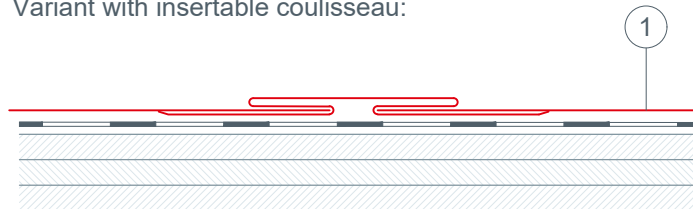
## CAD DETAILS



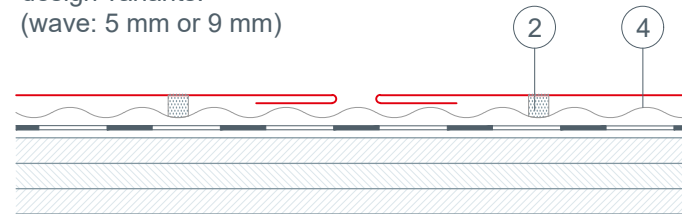
design variants:  
(wave: 5 mm or 9 mm)



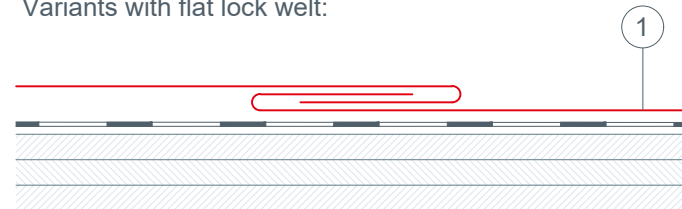
Variant with insertable coulisseau:



design variants:  
(wave: 5 mm or 9 mm)



Variants with flat lock welt:



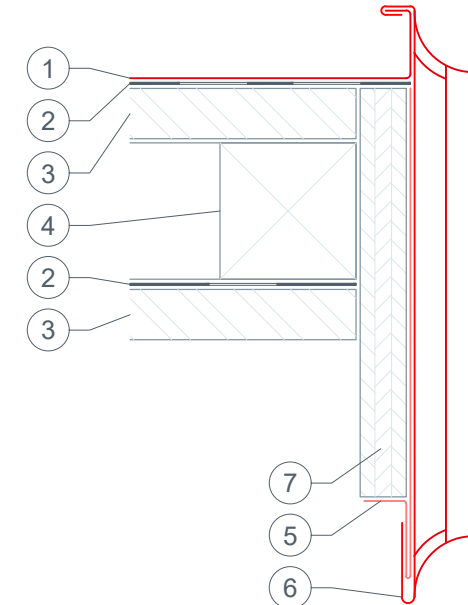
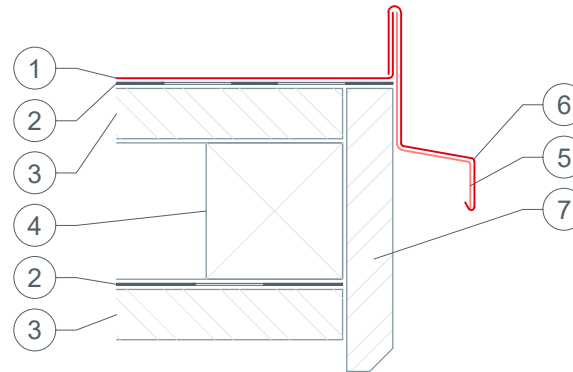
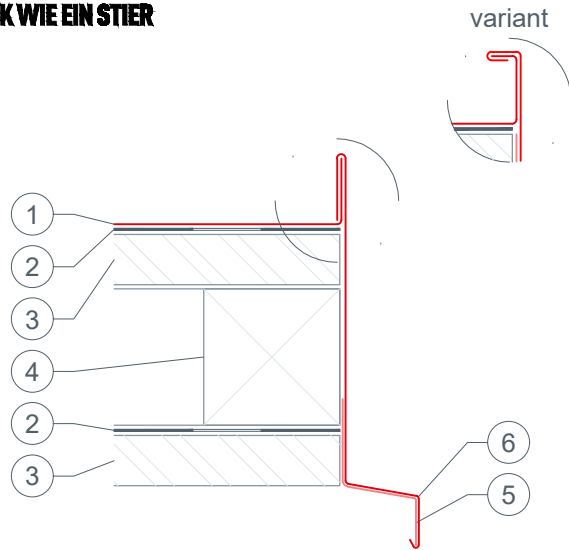
- ① joint connection variants
- ② possibly sealant (sealing gel)
- ③ separating layer (if applicable)
- ④ design (wave: 5 mm or 9 mm)



STARK WIE EIN STIER

# roof verge constructions Prefalz

## CAD DETAILS



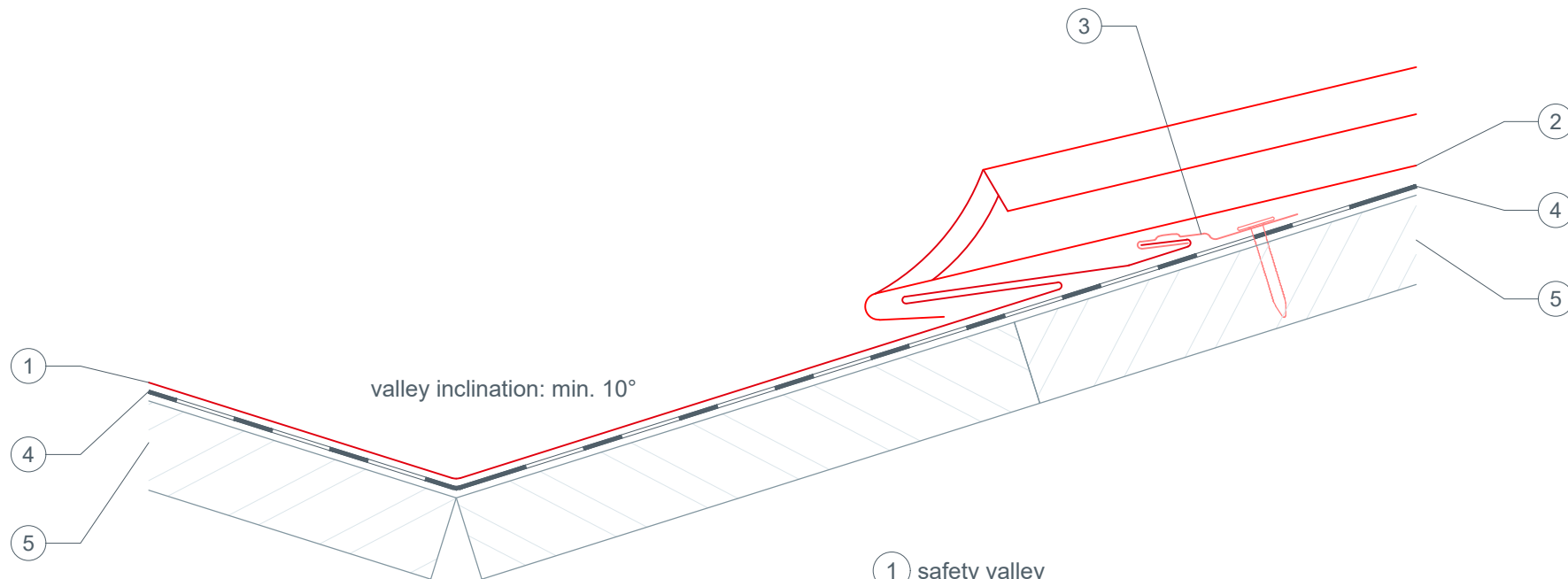
- ① double-lock standing seam Prefalz
- ② separation layer
- ③ Solid sheathing conforming to national guidelines
- ④ counter batten
- ⑤ patent edge cleat strip
- ⑥ verge flashing
- ⑦ bargeboard



STARK WIE EIN STIER

# safety valley Prefalz

## CAD DETAILS



valley inclination: min. 10°

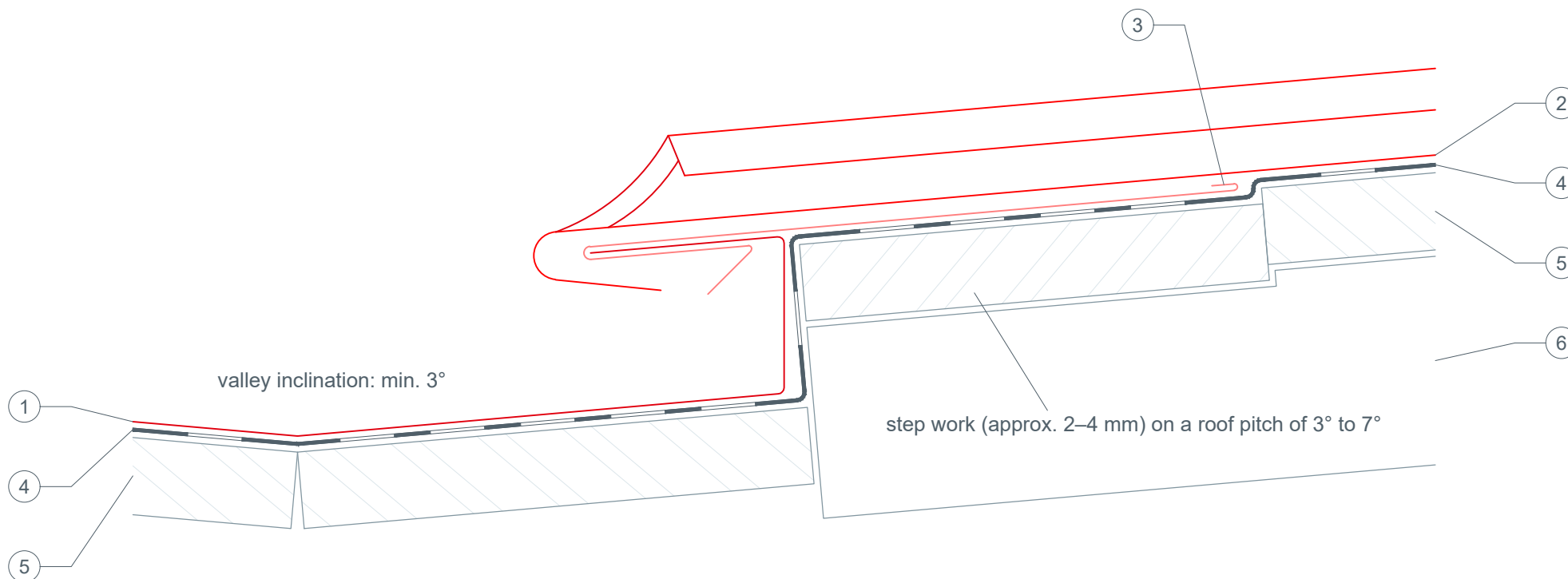
- ① safety valley
- ② double-lock standing seam Prefalz
- ③ patent clip
- ④ separation layer
- ⑤ Solid sheathing conforming to national guidelines



STARK WIE EIN STIER

# recessed valley Prefalz

## CAD DETAILS



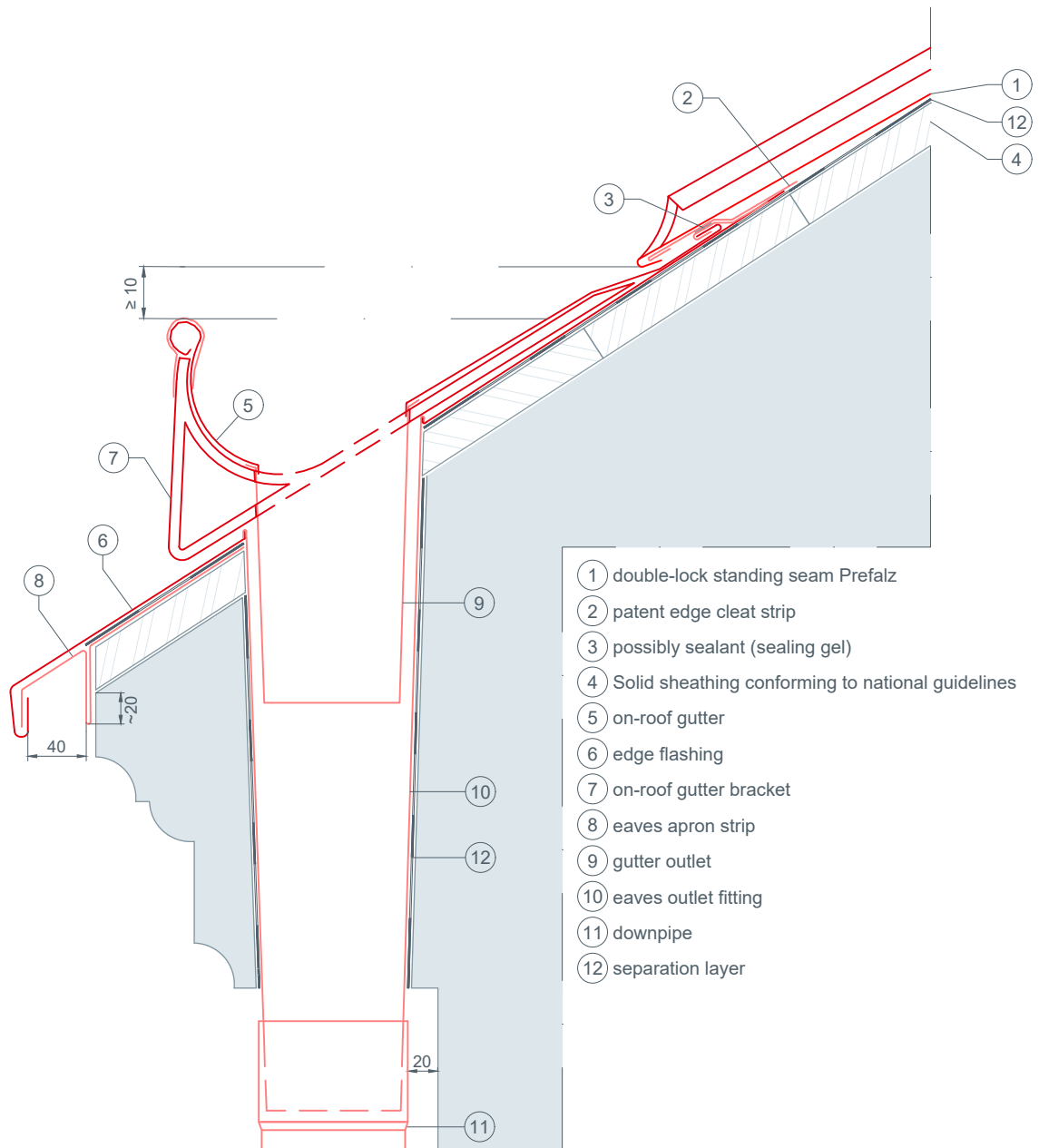
- ① recessed valley
- ② double-lock standing seam Prefalz
- ③ patent edge cleat strip
- ④ separation layer
- ⑤ Solid sheathing conforming to national guidelines
- ⑥ counter batten



**STARK WIE EIN STIER**

# eaves construction — on-roof gutter Prefalz

## CAD DETAILS

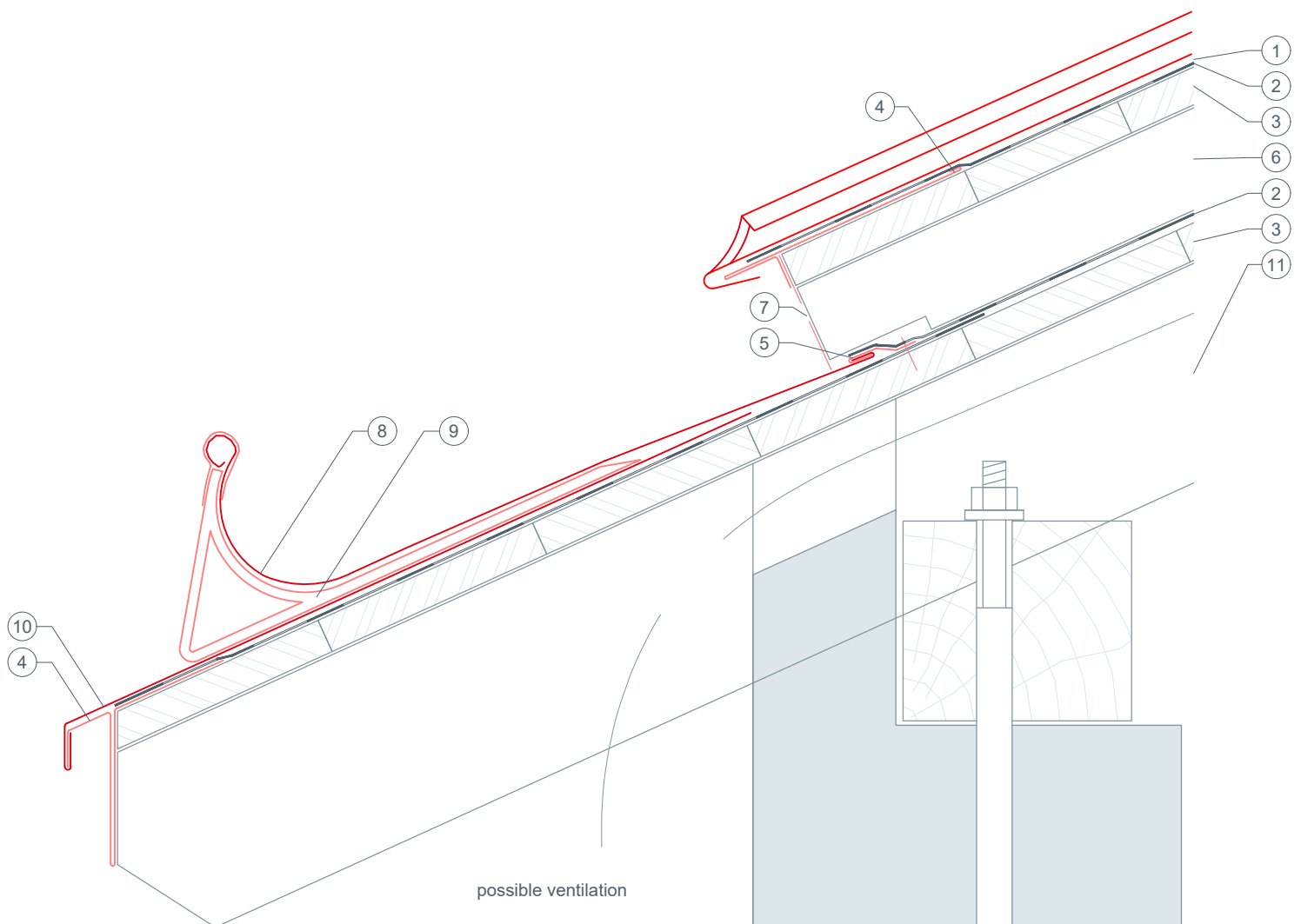




STARK WIE EIN STIER

# eaves construction with on-roof gutter (with ventilation gap) — variants 1 Prefalz

## CAD DETAILS



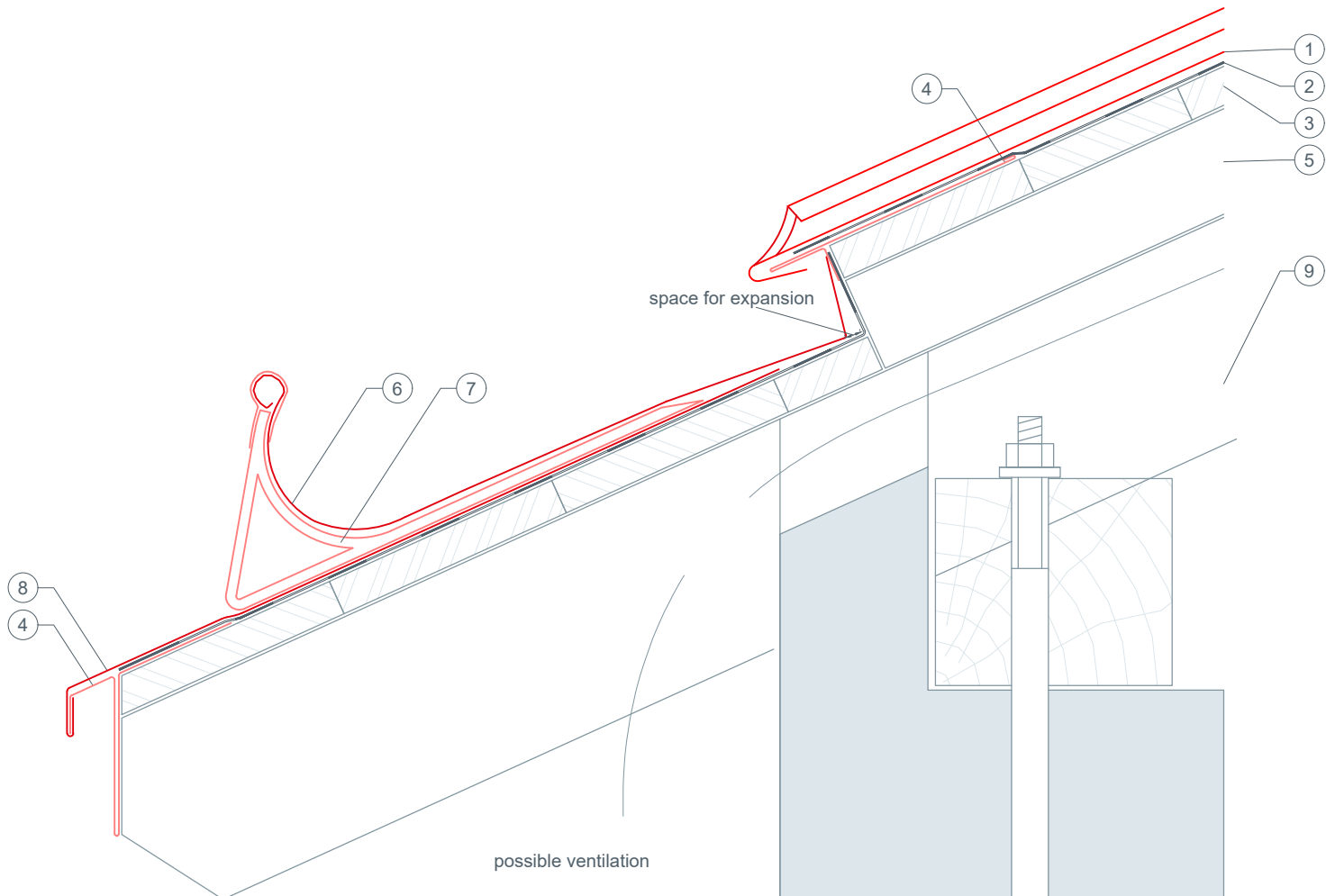
- ① double-lock standing seam Prefalz
- ② separation layer
- ③ Solid sheathing conforming to national guidelines
- ④ patent edge cleat strip
- ⑤ fixing strip
- ⑥ counter batten
- ⑦ perforated metal plate
- ⑧ on-roof gutter
- ⑨ on-roof gutter bracket
- ⑩ edge flashing
- ⑪ rafter



STARK WIE EIN STIER

# eaves construction — on-roof gutter with ventilation gap — variants 2 Prefalz

CAD DETAILS



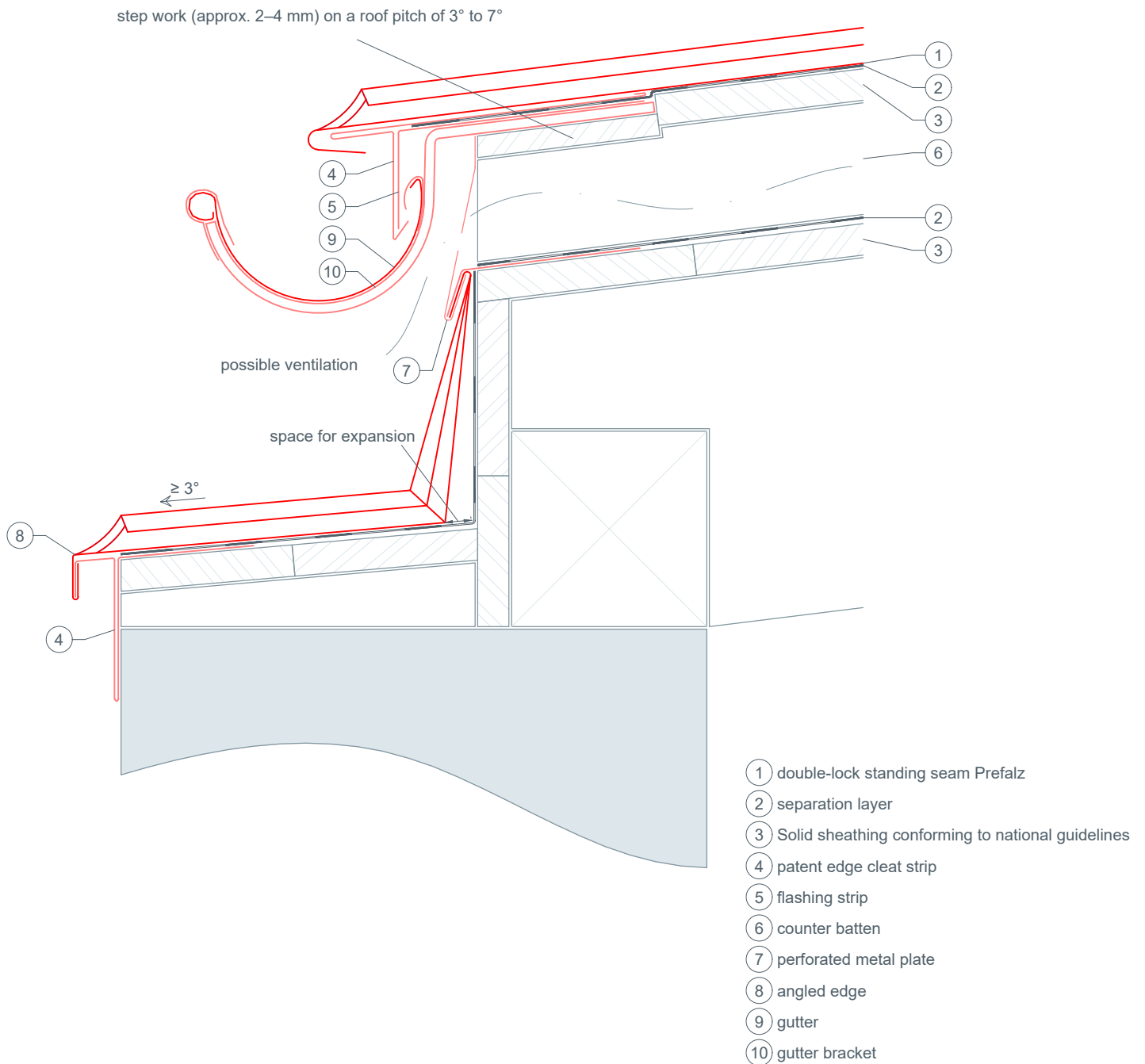
- ① double-lock standing seam Prefalz
- ② separation layer
- ③ Solid sheathing conforming to national guidelines
- ④ patent edge cleat strip
- ⑤ counter batten
- ⑥ on-roof gutter
- ⑦ on-roof gutter bracket
- ⑧ edge flashing
- ⑨ rafter



STARK WIE EIN STIER

# construction of an angled edge Prefalz

## CAD DETAILS







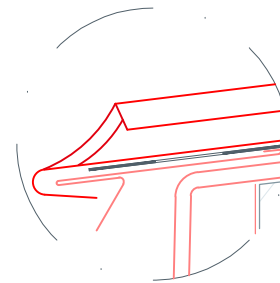
STARK WIE EIN STIER

# eaves construction Prefalz

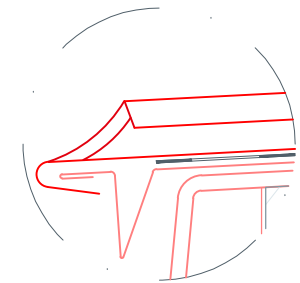
## CAD DETAILS

- ① double-lock standing seam Prefalz
- ② separation layer
- ③ Solid sheathing conforming to national guidelines
- ④ patent edge cleat strip
- ⑤ flashing strip
- ⑥ counter batten
- ⑦ perforated metal plate
- ⑧ gutter
- ⑨ gutter bracket

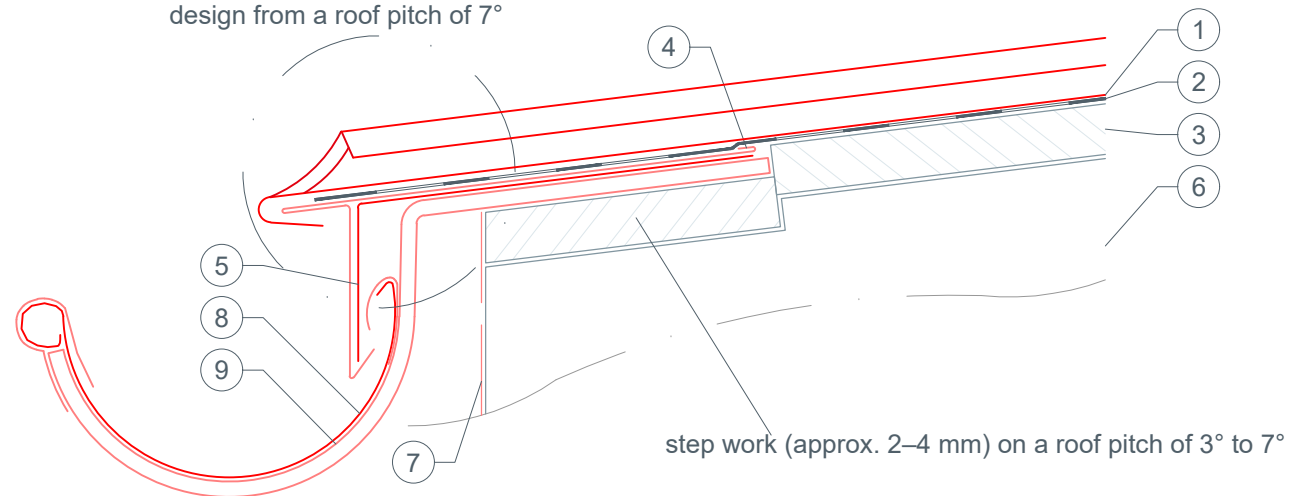
Recommendation:  
design from a roof pitch of 7°



Recommendation:  
design from a roof pitch of 3°



Recommendation:  
design from a roof pitch of 7°

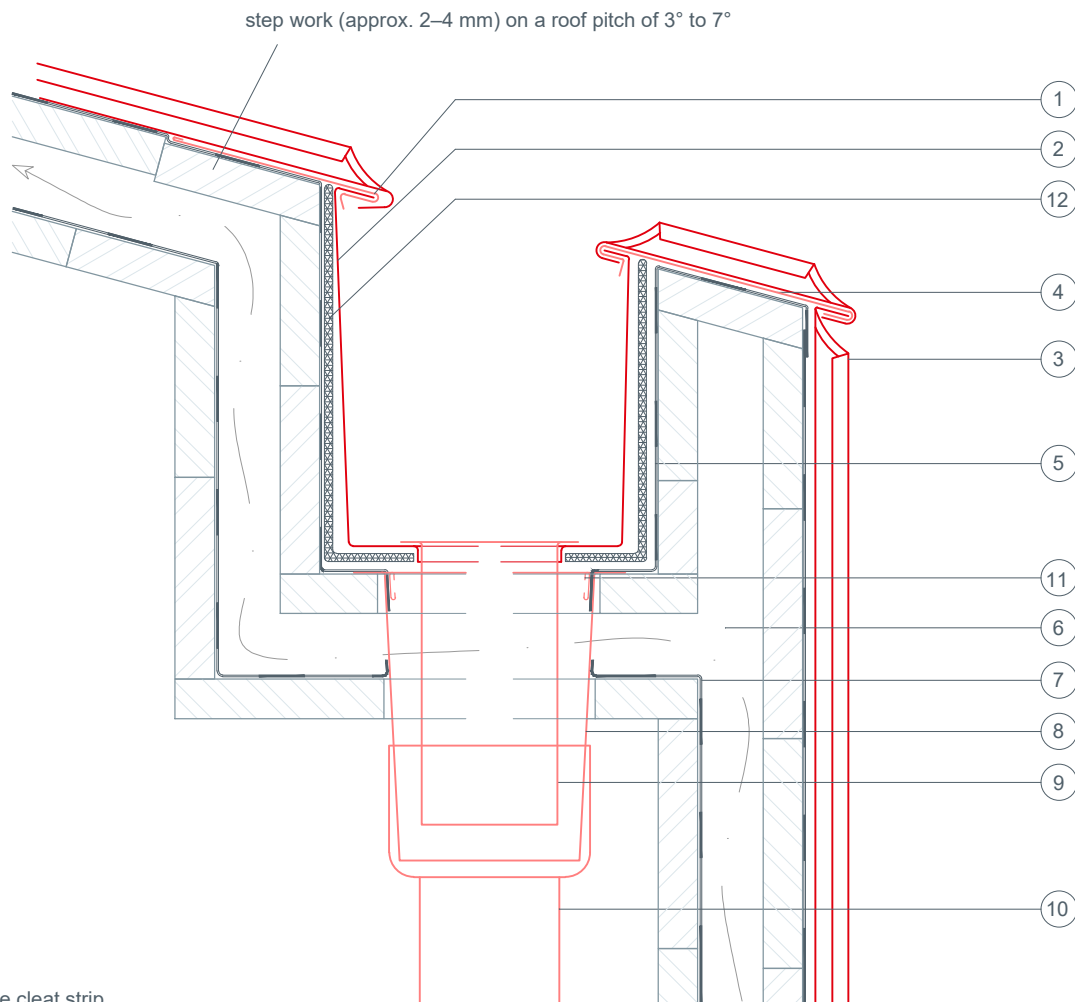




STARK WIE EIN STIER

# inlaid gutter Prefalz

## CAD DETAILS



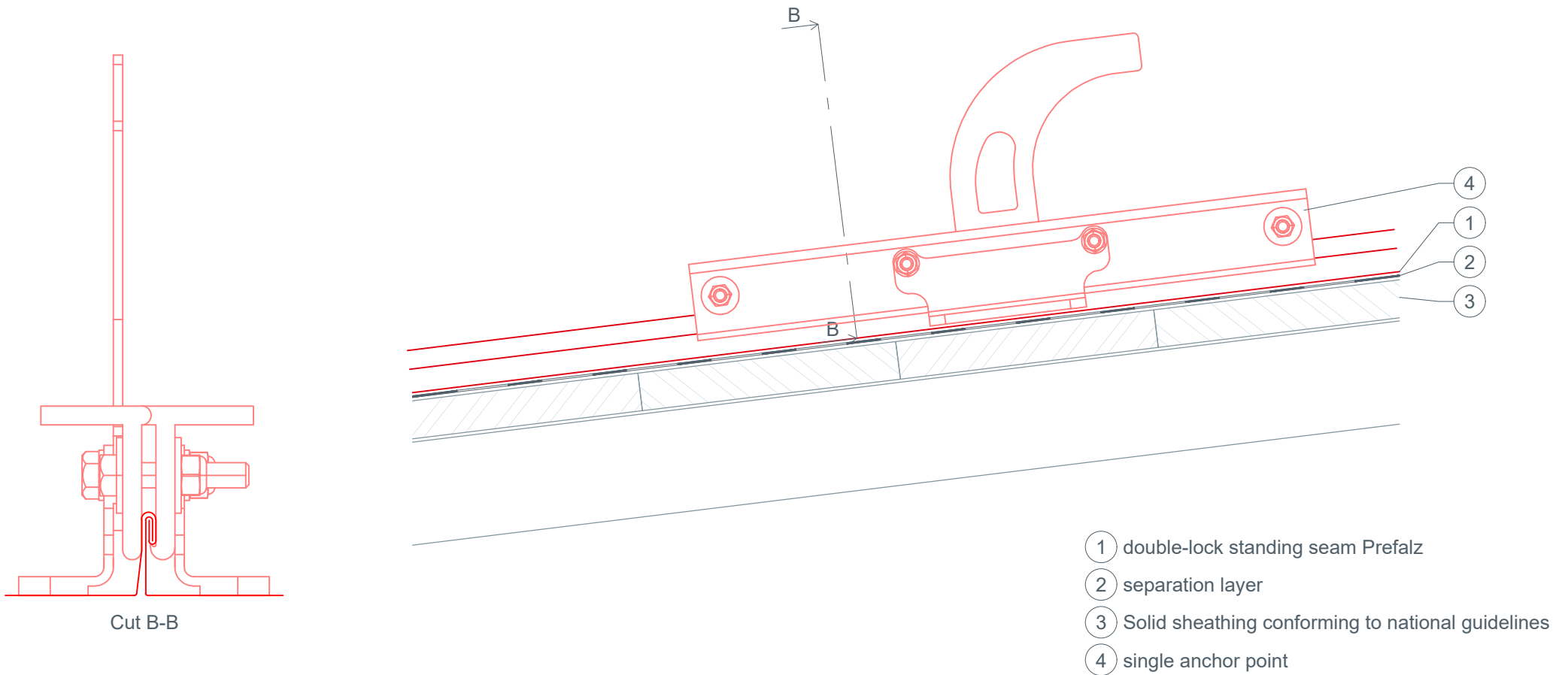
- ① edge cleat strip
- ② gutter (Uginox)
- ③ double-lock standing seam Prefalz
- ④ clip
- ⑤ flame-scarfed overflow gutter (or with EPDM coating)
- ⑥ wooden structure
- ⑦ roof underlay
- ⑧ outlet with base plate
- ⑨ outlet
- ⑩ downpipe
- ⑪ expander ring
- ⑫ structural matting



STARK WIE EIN STIER

# roof anchor hook SDH Industry 31 Prefalz

CAD DETAILS

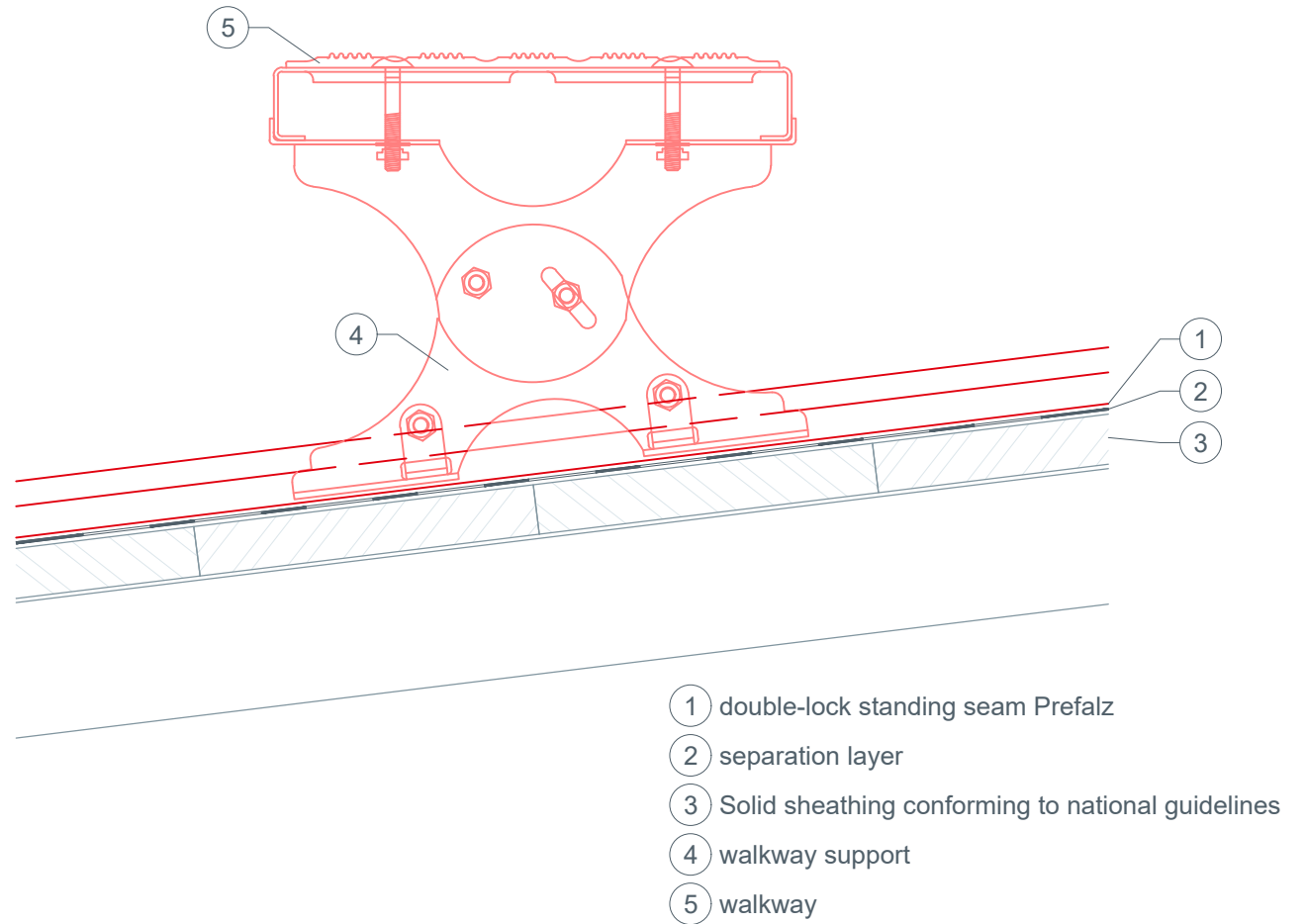
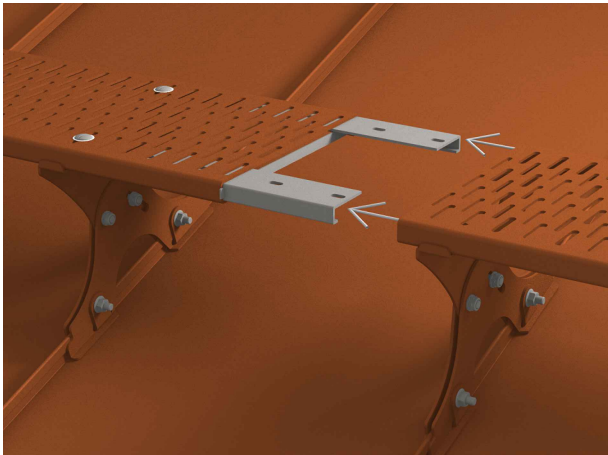




STARK WIE EIN STIER

# walkway support Prefalz

## CAD DETAILS

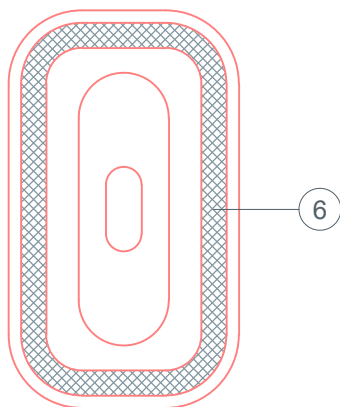




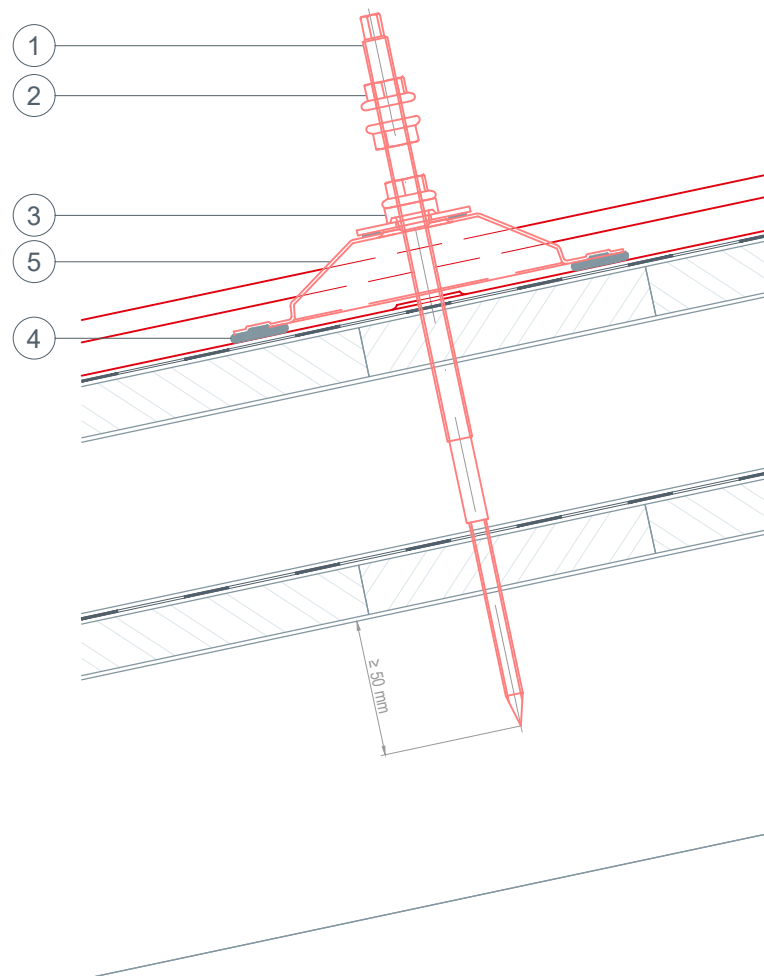
STARK WIE EIN STIER

# solar bracket Sunny Prefalz

## CAD DETAILS



- ① hanger bolt M12 × 350 mm
- ② lock nut M10
- ③ sealant (sealing gel)
- ④ special adhesive
- ⑤ protective cap for Sunny solar bracket
- ⑥ bonding area

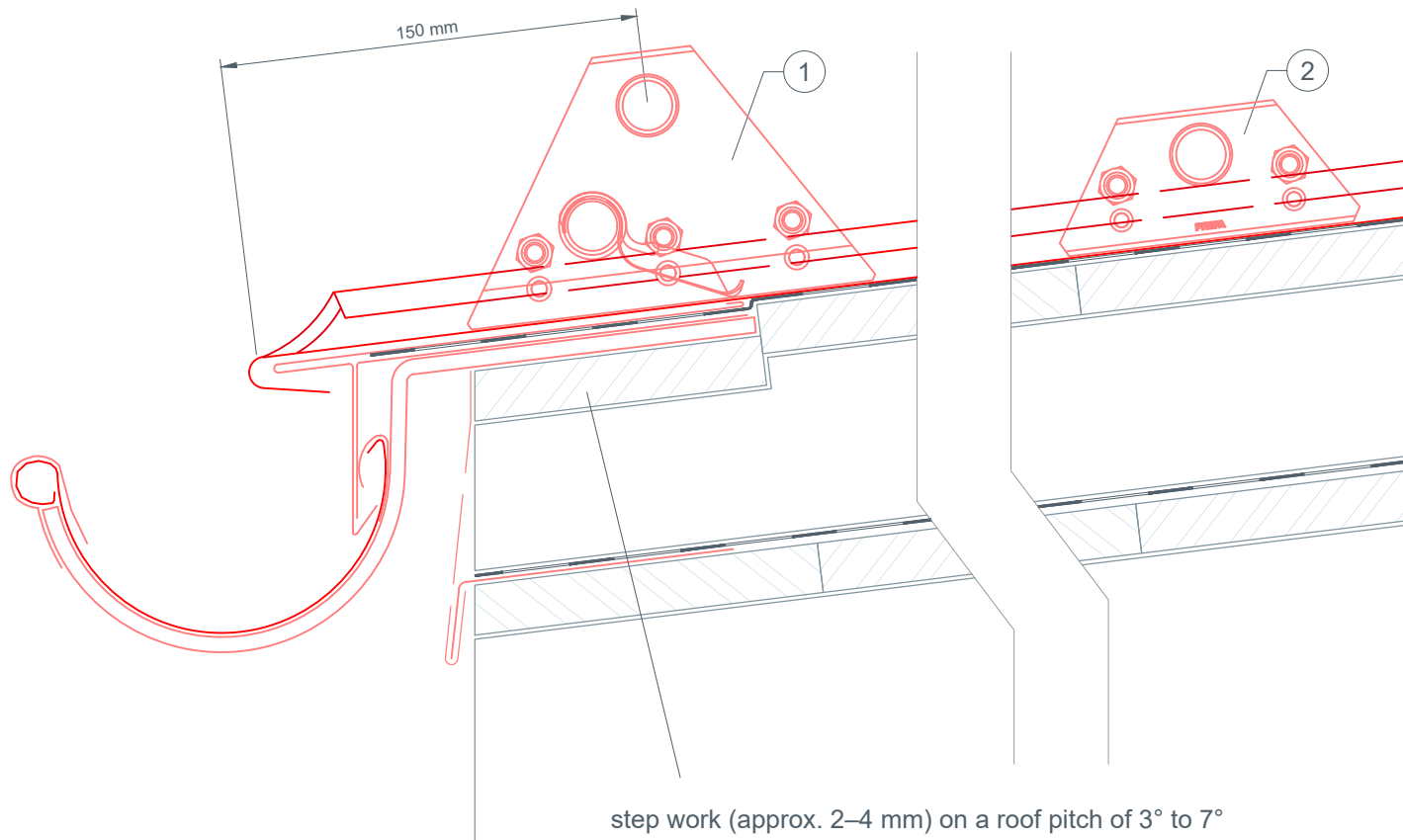




STARK WIE EIN STIER

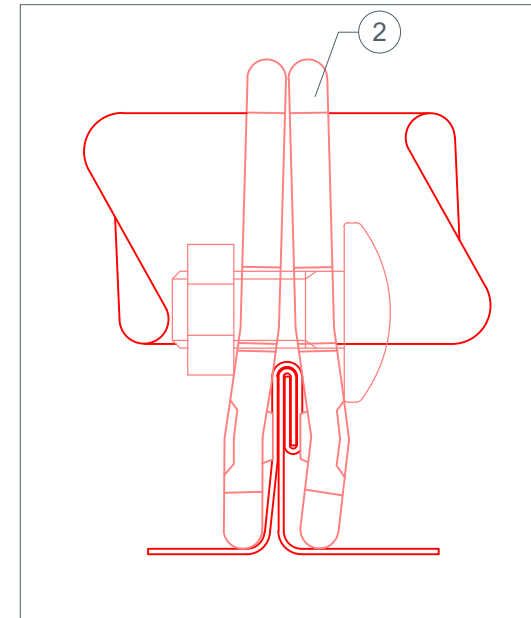
# seam clamps Prefalz

## CAD DETAILS



step work (approx. 2–4 mm) on a roof pitch of 3° to 7°

- ① two-pipe seam clamp with ice stopper
- ② one-pipe seam clamp

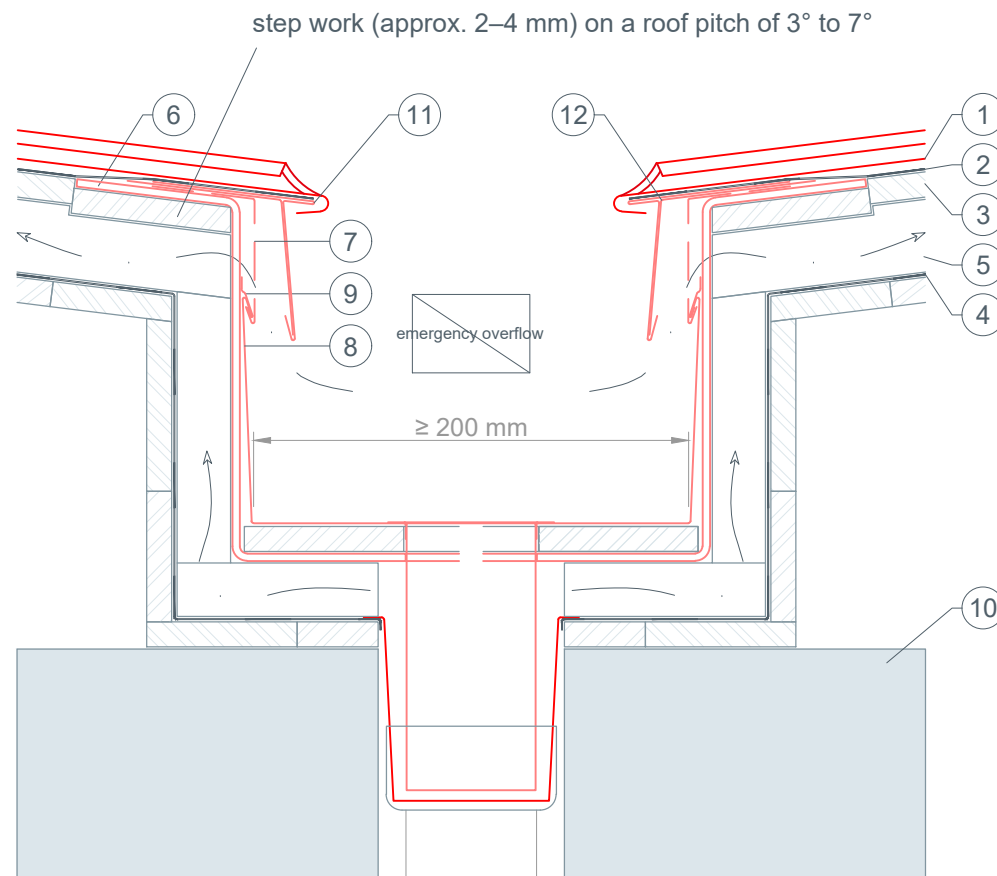




STARK WIE EIN STIER

# internal box gutter Prefalz

## CAD DETAILS



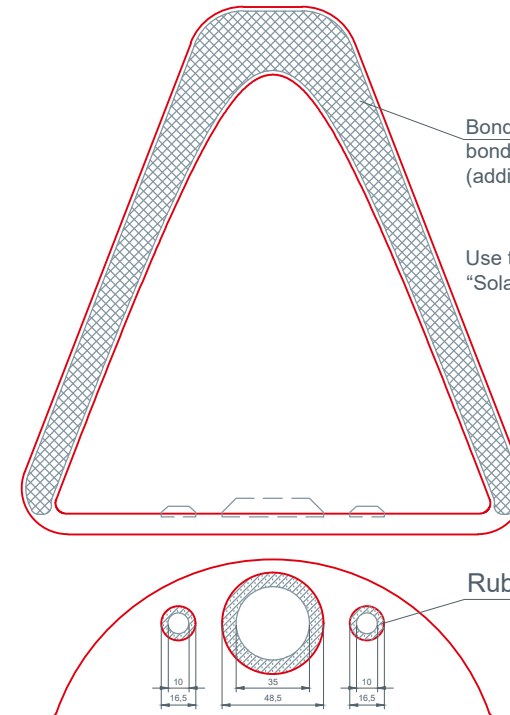
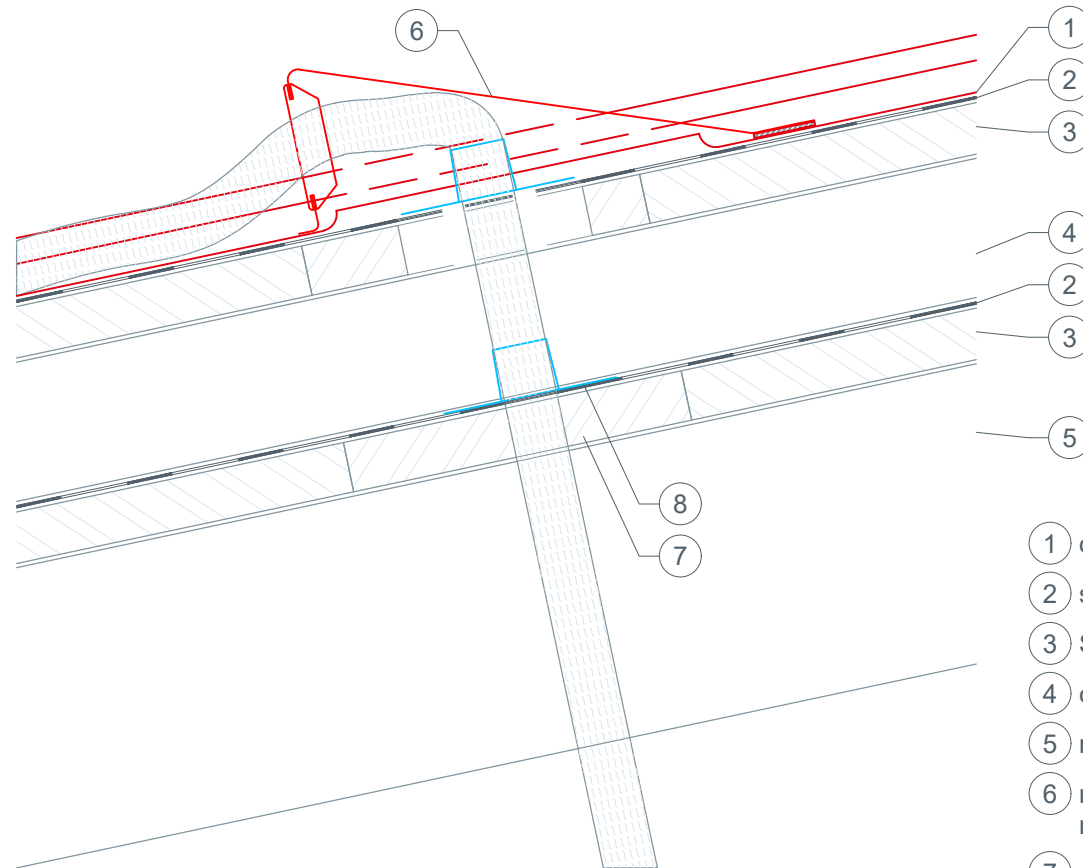
- ① double-lock standing seam Prefalz
- ② separation layer
- ③ Solid sheathing conforming to national guidelines
- ④ flame-scarfed overflow gutter (or with EPDM coating)
- ⑤ ventilation gap
- ⑥ insert hanger (to be canted by installer)
- ⑦ perforated metal plate
- ⑧ gutter (Uginox)
- ⑨ clip
- ⑩ substructure
- ⑪ patent edge cleat strip
- ⑫ edge cleat strip



STARK WIE EIN STIER

# cable feed-through on roof conduit Prefalz

## CAD DETAILS



Bonding mounting options  
bonding area  
(additional riveting not required)

Use the template to cut out the tabs; see  
"Solar roof conduit installation instructions".

Rubber seal

- ① double-lock standing seam Prefalz
- ② separation layer
- ③ Solid sheathing conforming to national guidelines
- ④ counter batten
- ⑤ rafter
- ⑥ roof conduit without protective sleeve with protective sleeve:  
max. diameter 35 mm/10 mm
- ⑦ cable conduit
- ⑧ pipe collar



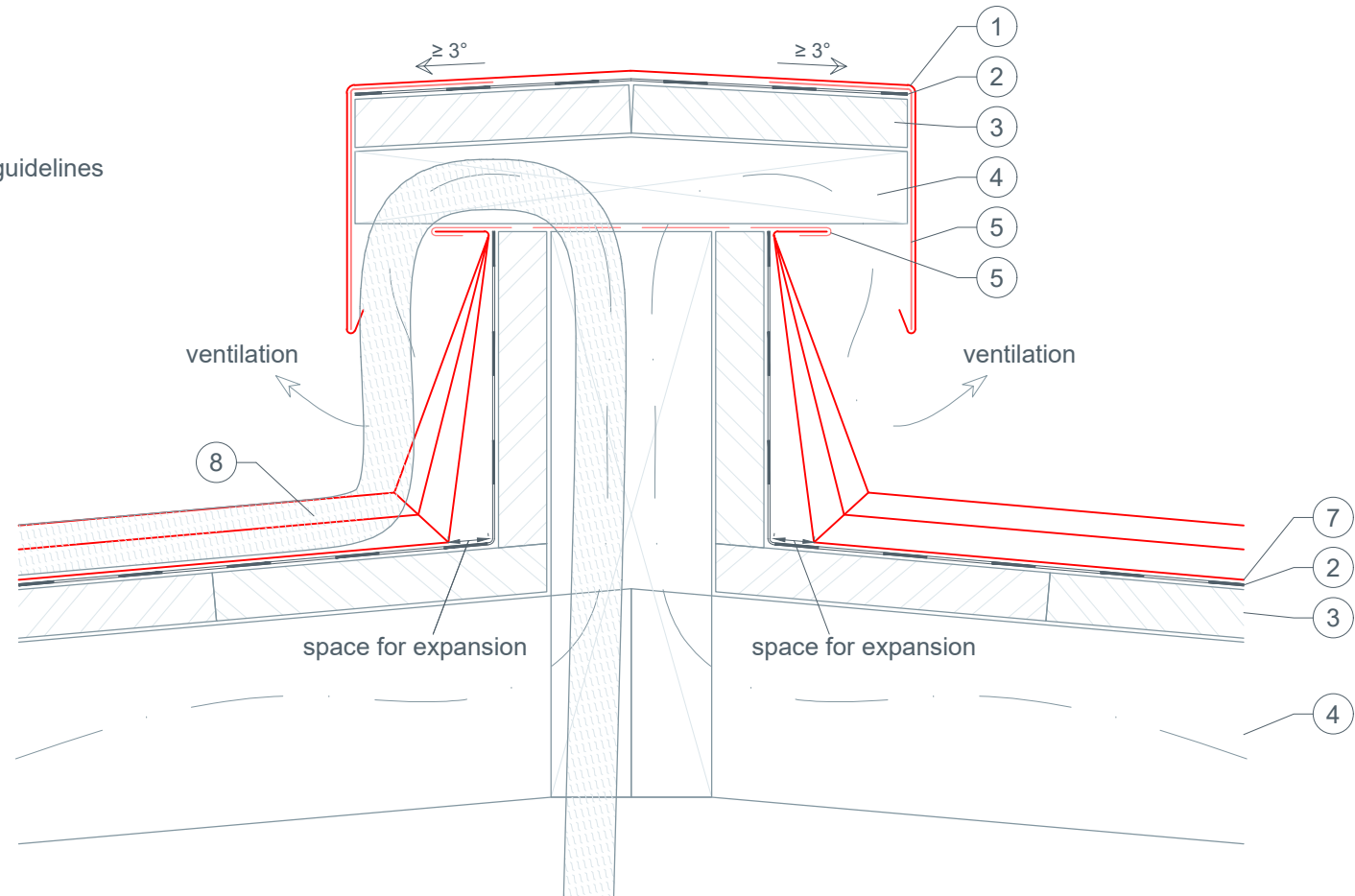


STARK WIE EIN STIER

# cable feed-through on ridge ventilation Prefalz

CAD DETAILS

- ① Prefalz ridge cap
- ② separation layer
- ③ Solid sheathing conforming to national guidelines
- ④ square timber
- ⑤ edge cleat strip
- ⑥ perforated metal plate
- ⑦ double-lock standing seam Prefalz
- ⑧ cable conduit (e.g. Solar)

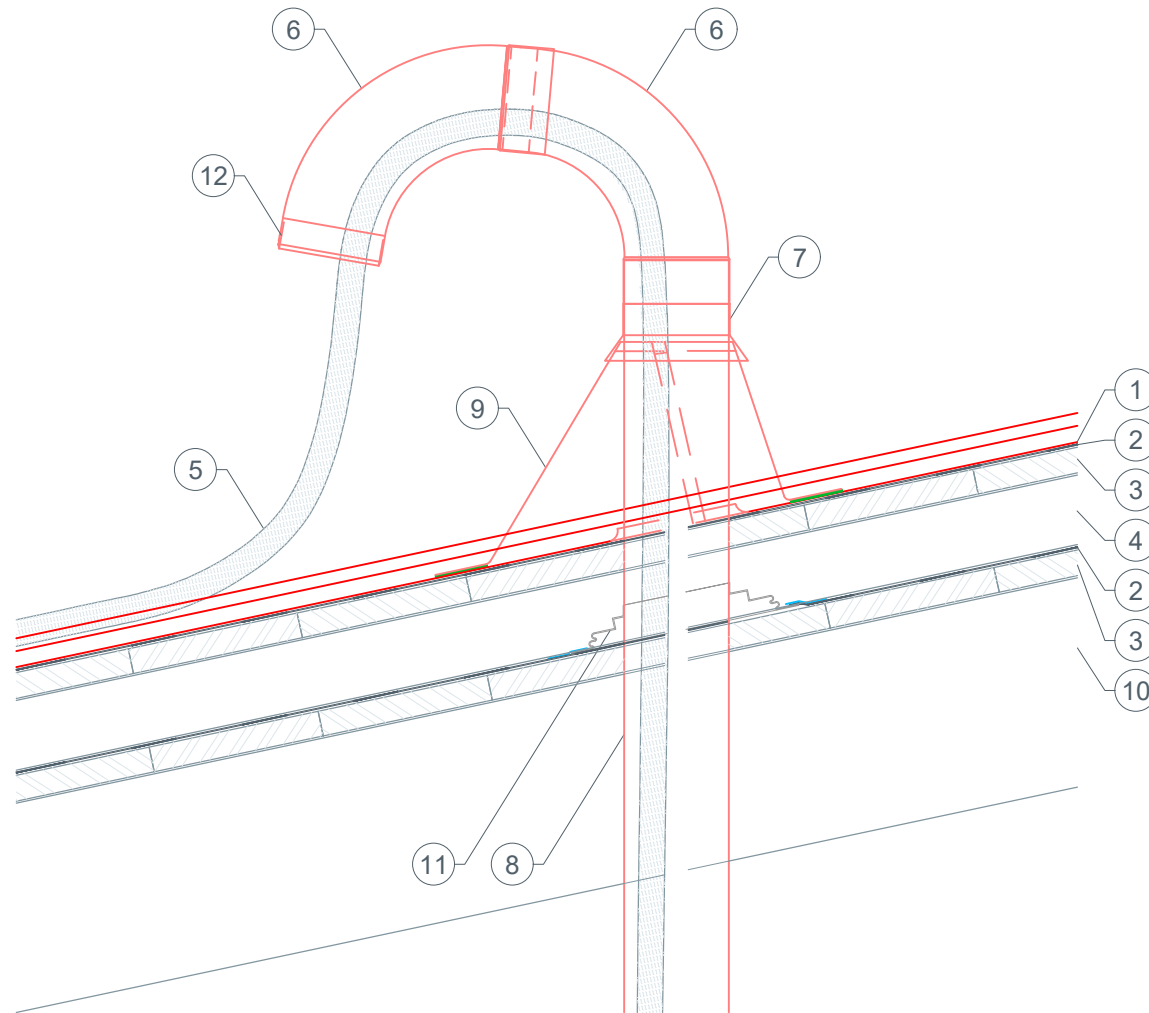




STARK WIE EIN STIER

# cable feed-through on adhesive flashing Prefalz

## CAD DETAILS



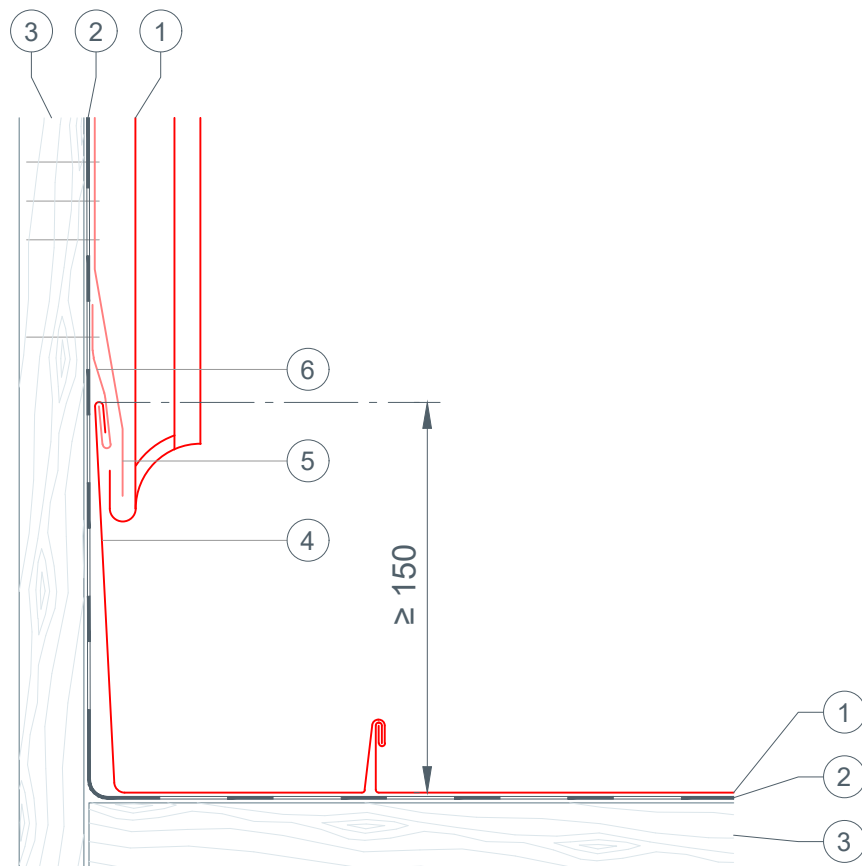
- ① double-lock standing seam Prefalz
- ② separation layer
- ③ Solid sheathing conforming to national guidelines
- ④ counter batten
- ⑤ cable conduit (diameter 25)
- ⑥ downpipe elbow
- ⑦ pipe cap
- ⑧ pipe
- ⑨ adhesive flashing strip
- ⑩ rafter
- ⑪ flexible pipe collar (Ø 100–130)
- ⑫ cover



STARK WIE EIN STIER

# lateral wall connection Prefalz

## CAD DETAILS



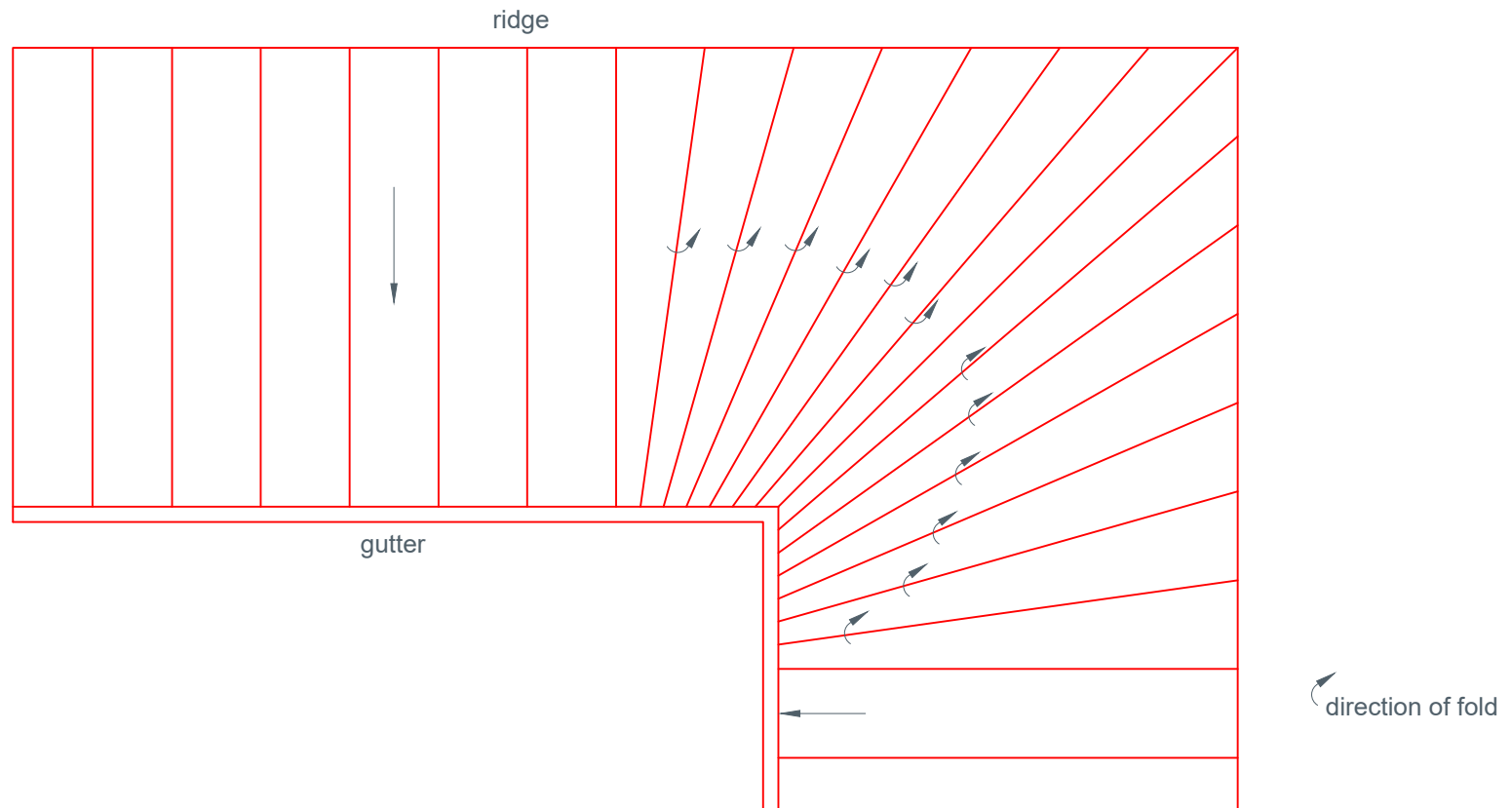
- ① double-lock standing seam Prefalz
- ② separation layer
- ③ Solid sheathing conforming to national guidelines
- ④ wall connection
- ⑤ mounting strip / edge cleat strip
- ⑥ cleat strip



STARK WIE EIN STIER

# valley construction with tapered double-lock standing seam strip Prefalz

CAD DETAILS

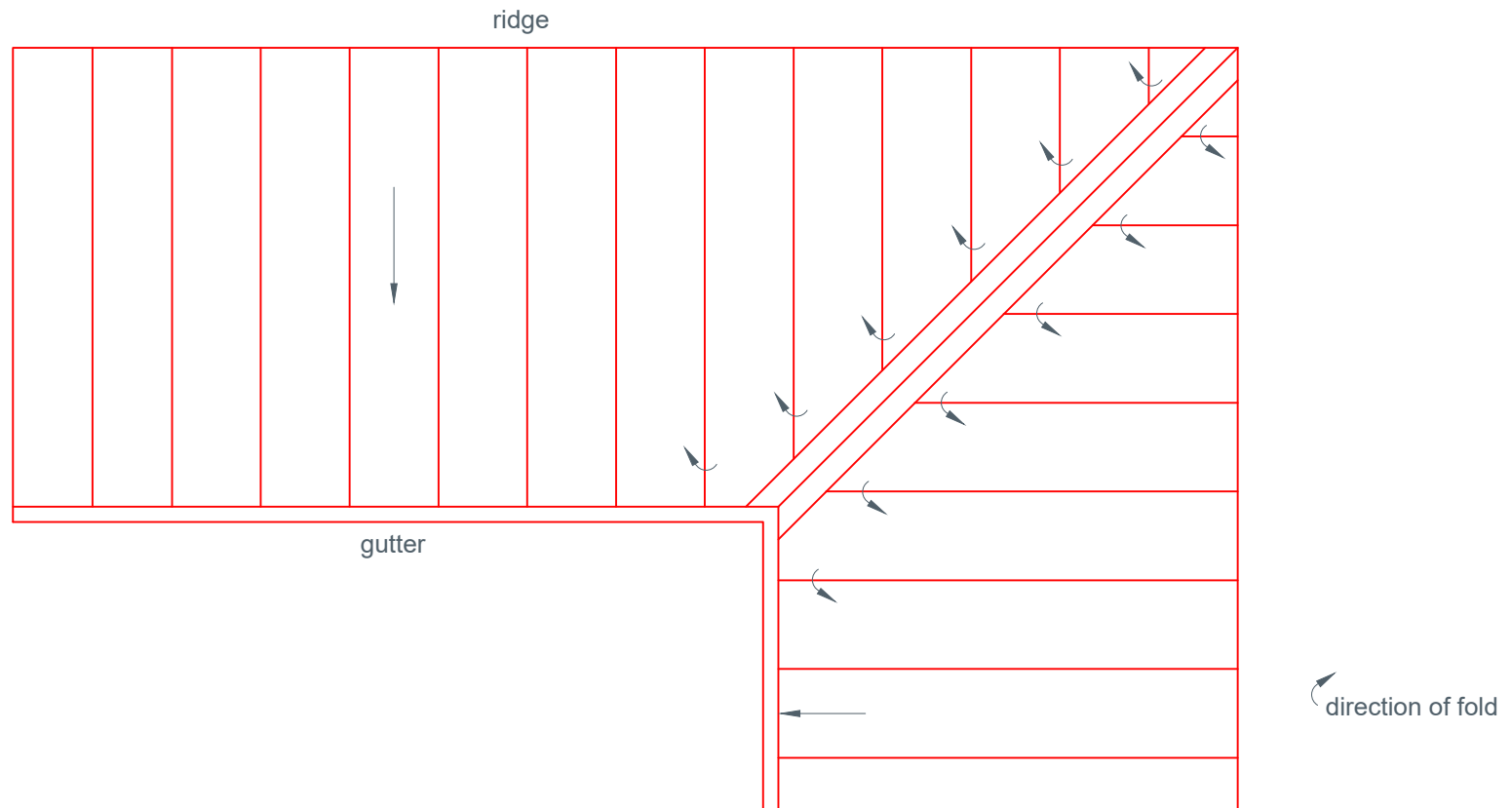




STARK WIE EIN STIER

# valley construction with parallel double-lock standing seam strip Prefalz

CAD DETAILS

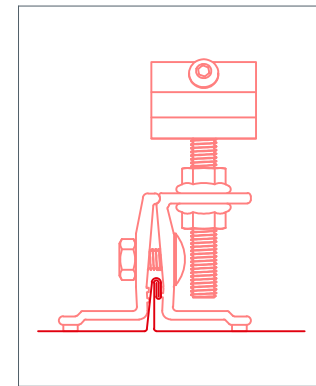
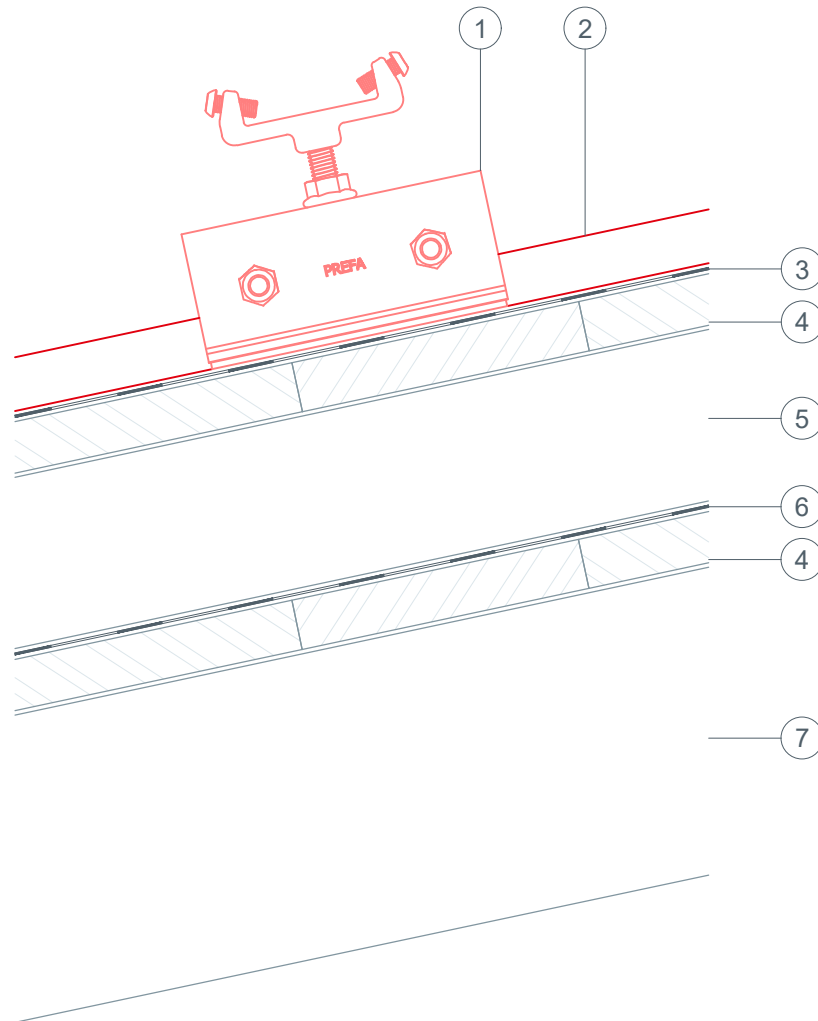




STARK WIE EIN STIER

# solar bracket PREFALZ Vario Prefalz

## CAD DETAILS



- ① solar bracket PREFALZ Vario
- ② double-lock standing seam Prefalz
- ③ separation layer
- ④ Solid sheathing conforming to national guidelines
- ⑤ counter batten
- ⑥ roof underlay
- ⑦ rafter