



THE ROOF
AS STRONG AS A BULL!

PLANNING GUIDE

PREFA FLOOD PROTECTION SYSTEM



70
YEARS
QUALITY
since 1946

CONTENTS

PREFA FLOOD PROTECTION SYSTEM



- 3 INTRODUCTION
- 4 PREFA PROTECTS PROPERTIES AND PERIMETERS
- 6 SYSTEM OVERVIEW
- 7 ASSEMBLING THE SYSTEM
- 8 DETAILS ABOUT THE 50-mm SYSTEM
- 9 DETAILS ABOUT THE 80-mm SYSTEM
- 10 DETAILS ABOUT THE ROUND PROFILE
- 12 ASSEMBLY (OVERVIEW)
- 13 ASSEMBLING THE PROFILES
- 14 TECHNICAL INFORMATION | MEASUREMENT CURVES
- 15 STORAGE | MAINTENANCE | STRUCTURAL SUITABILITY | LIABILITY

EASY, FAST, INDIVIDUAL

WATER IS AN UNPREDICTABLE NATURAL FORCE. WE TAKE FLOOD PROTECTION SERIOUSLY.

Climate scientists expect extreme weather events to increase due to rises in average temperatures. So we should anticipate that serious flooding could occur more often than has been the case in recent decades. Flood protection measures such as dams constructed by public authorities and protective measures taken by individuals are a sensible investment in our future.

At PREFA, we know from our own experience how powerful a flood can be and the damage that it can cause. That's what motivated us — together with our affiliated company, NEUMAN Aluminium Strangpresswerk — to develop a demountable flood protection system made of aluminium. Lightweight yet extremely robust aluminium profiles protect doors, gates, windows and entire areas from penetrating flood water.

THE SYSTEM

- ! Demountable flood barrier made of aluminium.
- ! The profiles are sealed with special, replaceable foam rubber seals.
- ! Provides protection as soon as the first panel has been installed.

USE

- ! Aluminium barrier panels are pushed into the mounting profiles or uprights (anchored in the ground sleeves).
- ! Barrier panels are stacked on top of one another via the tongue and groove system.
- ! The components are fixed at the top by a compression clamp.
- ! The barrier panels fill up as the water rises.

THE POSSIBILITIES

- ! Property and perimeter protection.
- ! The length of the safety barrier can be extended as necessary.
- ! The height of existing protective walls can be increased.
- ! The length of the barrier panels can be individually adapted.



Europaverband
Hochwasserschutz e.V.®



PREFA PROTECTS PROPERTIES AND PERIMETERS

PREVENTS WATER FROM PENETRATING THE HOUSE. INDIVIDUAL PROTECTION FOR INDIVIDUAL BUILDINGS.

Water can cause permanent damage in and around the house. Stay one step ahead with PREFA flood protection and use individual systems to protect buildings at risk from penetrating water. The system can be mounted in, behind or in front of, the reveal, and the permanently installed mounting profiles can be colour-coordinated to match your façade.



SAVVY PERIMETER PROTECTION. FLEXIBLE SOLUTIONS FOR SPECIAL PLACES.

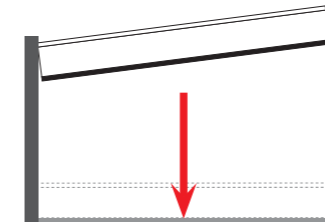
In the event of heavy rainfall, areas (driveways, roads or paths) running alongside rivers and streams often become flooded with water when rivers burst their banks. Through the use of ground sleeves anchored in the ground, the PREFA flood protection system can seal off entire areas of land against flood water. The height of existing dams can be increased, and the safety barrier can be adapted at any time until it reaches the final level of the water.



SYSTEM OVERVIEW

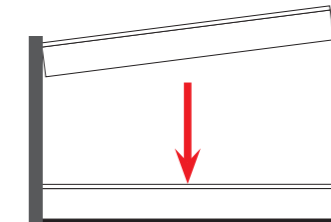


ASSEMBLING THE SYSTEM



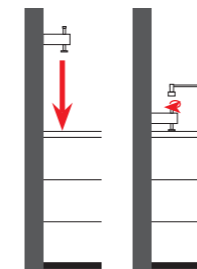
1. INSERTING THE LOWEST BARRIER PANEL

Start by inserting the barrier panel with the ground seal into the base profile from the top. Press down firmly on the barrier panel until the ground seal rests flush on the ground.



2. INSERTING ADDITIONAL BARRIER PANELS

Once the lowest barrier panel is firmly in place and lying flush, continue by inserting the other barrier panels. To do this, fit the panels from above diagonally into the base profile guide as shown in step 1, and press them down until the tongue slots into the groove and the seal fits flush.



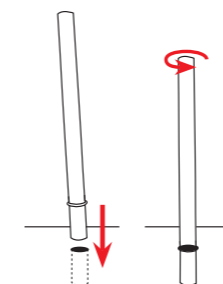
3. INSTALLING THE COMPRESSION CLAMPS

Push the compression clamps with the adjustable foot down into the base profile guide, and press them down until the adjustable foot comes into contact with the first profile. Then use an Allen key to gently tighten the screw on the compression clamp.



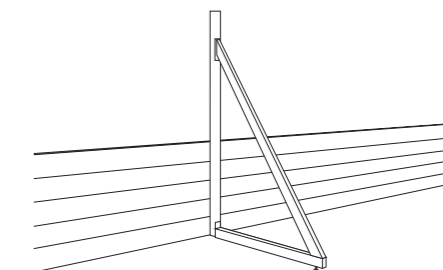
4. OPEN THE GROUND SLEEVE

If you wish to use intermediate uprights for perimeter protection, you must also follow steps 4–6. Unscrew the countersunk screw on the ground sleeve cover plate by approx. one centimetre, pull the cover plate out and remove.



5. MOUNTING THE CENTRE COLUMN

Next, fit the centre column into the open ground sleeve by rotating it. When doing so, make sure that the sealing ring fully seals off the lower end of the column.



6. POSSIBLE MOUNTING OF AN ADDITIONAL SUPPORT

If the safety barrier exceeds a surface area of 2 × 2 metres, you need to clarify whether or not an additional support is required.

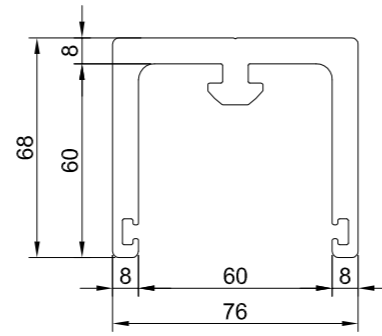
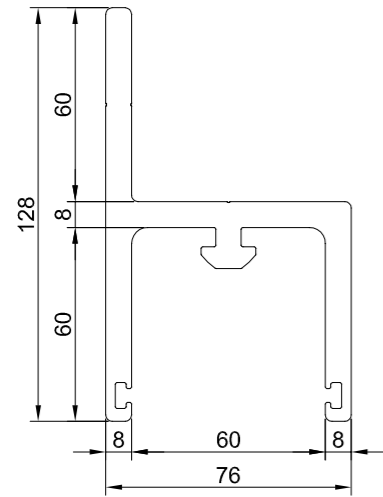
LEGEND

- 1 WALL PROFILE**
 Permanently built into the masonry or installed in, behind or in front of, the reveal.
- 2 BARRIER PANELS**
 Illustrated here: the lowest barrier panel connected to point 3.
- 3 GROUND SEAL**
 Ensures sealing between the lowest barrier panel and the ground.
- 4 CENTRE COLUMN**
 In larger areas, these uprights can be used as intermediate columns.
- 5 COMPRESSION CLAMP**
 For clamping the barrier panels in place.
- 6 COMPRESSION CLAMP WITH STAR-SHAPED HANDLE**
 With adjustable foot for clamping the barrier panels with the compression clamps.
- 7 GROUND SLEEVE**
 Sleeve fixed permanently in the ground with concrete for inserting the centre column.
- 8 WALL BRACKET**
 For stacking the barrier panels during storage when not in use.
- 9 ANGULAR COVER**
 For covering the wall profiles when not in use.
- 10 STORAGE CASING**

THICKNESS	50 mm	80 mm
WEIGHT/METER	5.60 kg / 4.12 kg	6.97 kg
HEIGHT OF BARRIER PANELS	150 / 200 mm	200 mm
SEAM	15 mm	15 mm

CENTRE COLUMN	
DIAMETER	140 mm / 185 mm
HEIGHT	750-2,150 mm
TYPE (THICKNESS)	50 or 80 mm

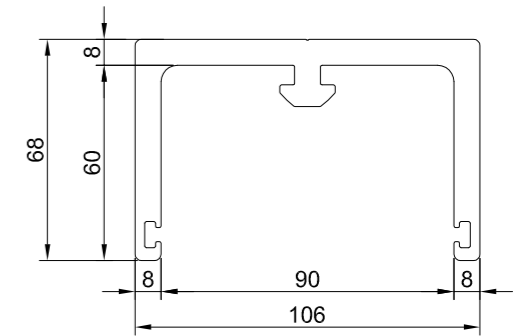
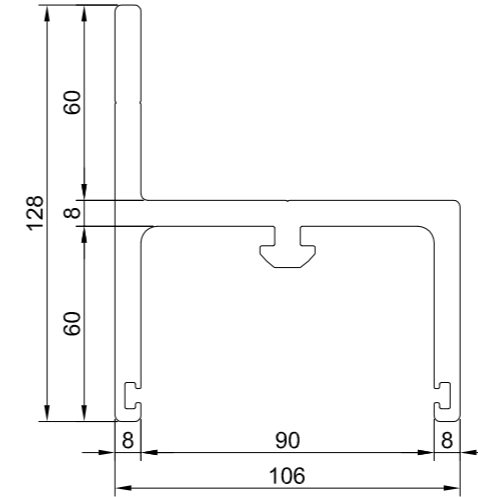
DETAILS 50-mm SYSTEM



h-PROFILE*

U-PROFILE*

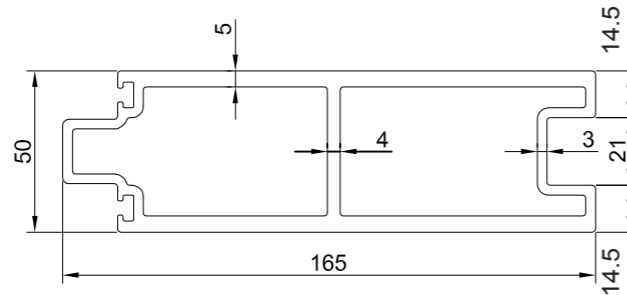
DETAILS 50-mm SYSTEM



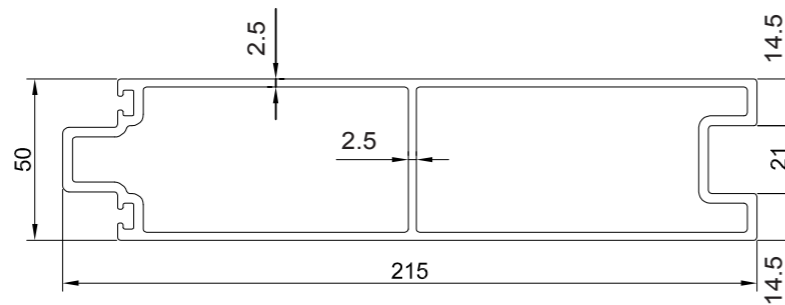
h-PROFILE*

U-PROFILE*

BARRIER PANEL 150 mm



BARRIER PANEL 200 mm

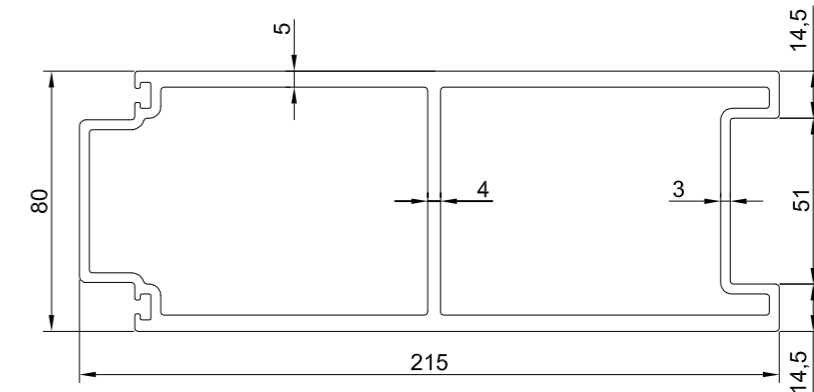


*** ALL h- AND U-PROFILES ARE SUPPLIED WITH THE FOLLOWING LENGTHS:**

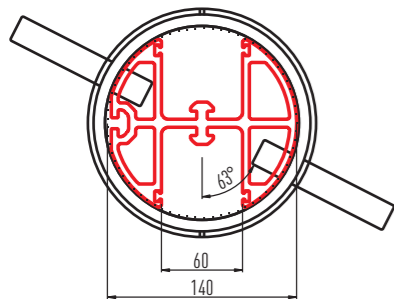
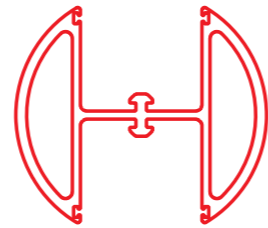
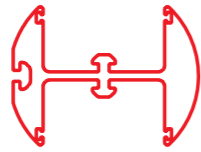
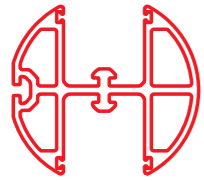
- 750 mm
- 1,350 mm
- 1,750 mm
- 2,150 mm

Special lengths can be produced on request.

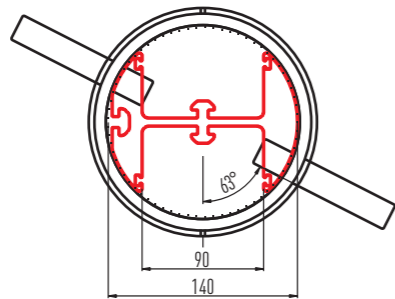
BARRIER PANEL 200 mm



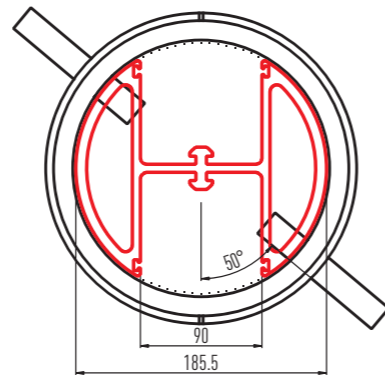
CENTRE COLUMN (ROUND PROFILE)



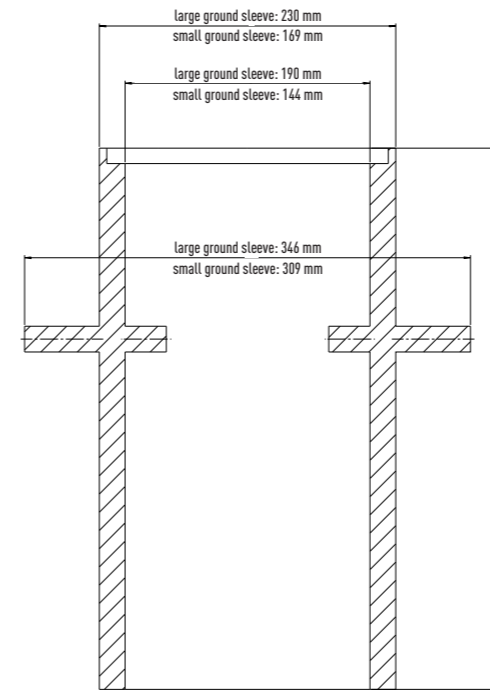
**ROUND PROFILE
50-mm SYSTEM**
(inserted into ground sleeve)



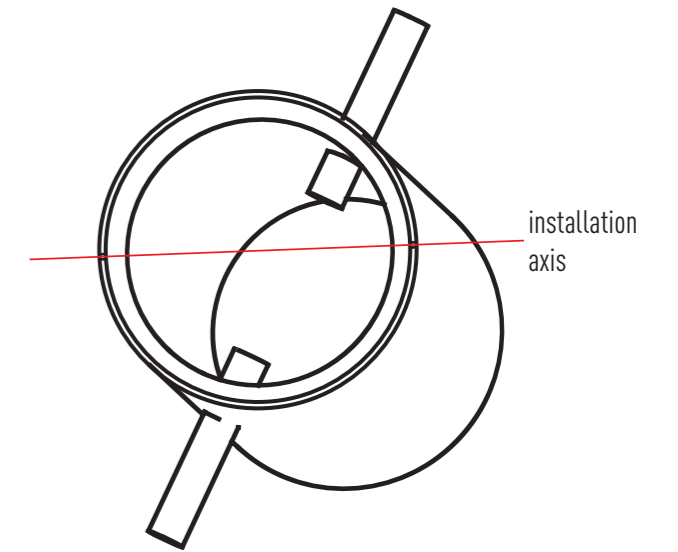
**SMALL ROUND PROFILE
80-mm SYSTEM**
(inserted into ground sleeve)



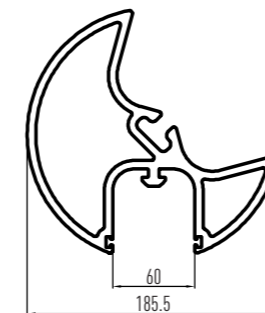
**LARGE ROUND PROFILE
80-mm SYSTEM**
(inserted into ground sleeve)



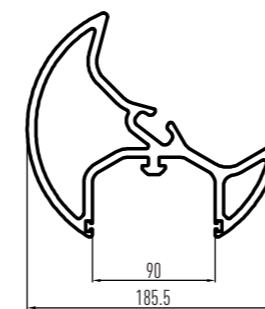
GROUND SLEEVE



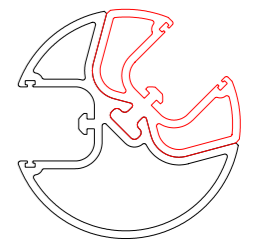
GROUND SLEEVE ISOMETRIC VIEW



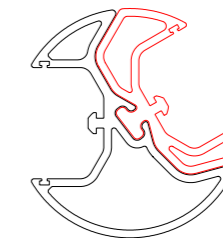
VARIO ROUND PROFILE – 50-mm SYSTEM



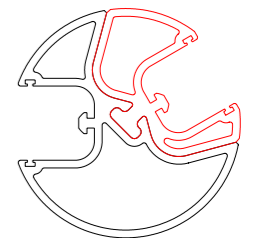
VARIO ROUND PROFILE – 80-mm SYSTEM



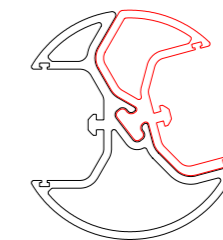
45° angle



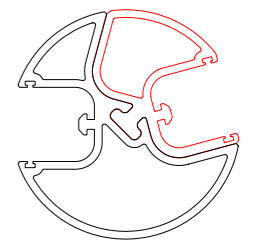
30°/45° angle



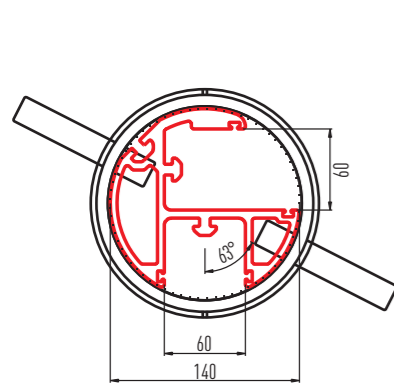
30°/60° angle



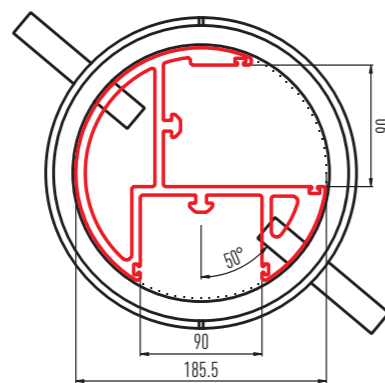
15°/60° angle



15°/75° angle



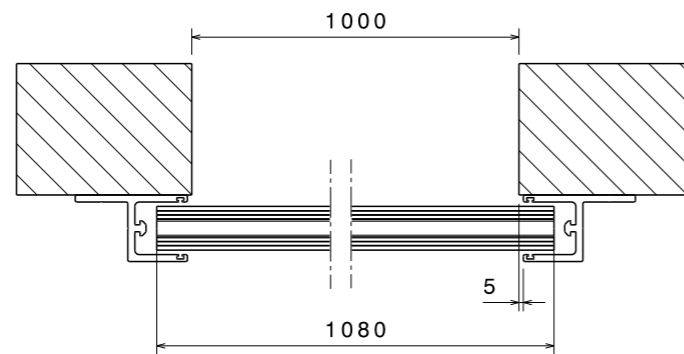
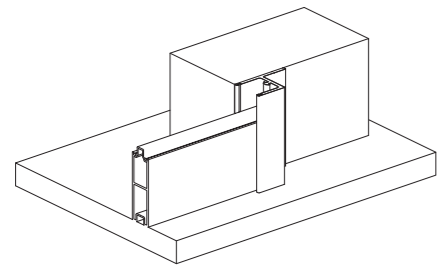
**90° ROUND PROFILE
50-mm SYSTEM**



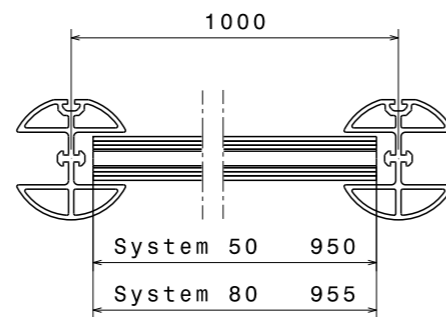
**90° ROUND PROFILE
80-mm SYSTEM**

INSTALLATION

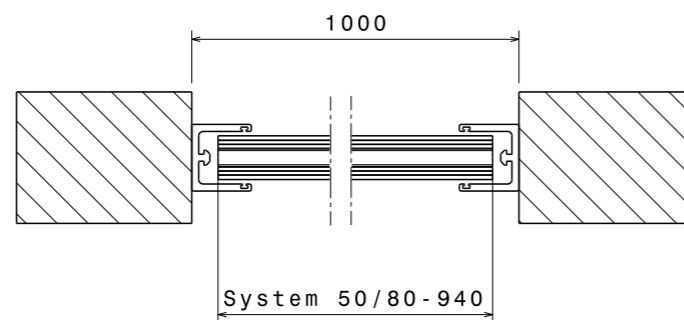
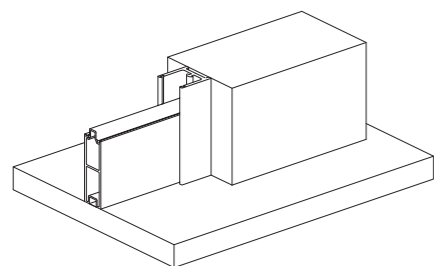
IN FRONT OF, OR BEHIND, THE REVEAL



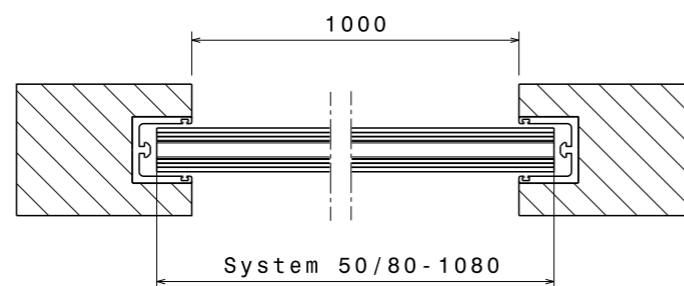
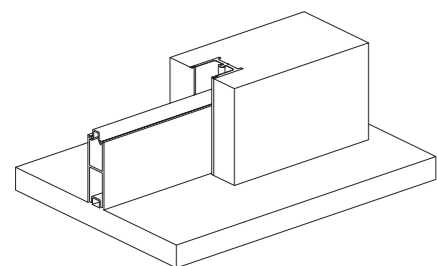
INSTALLING THE CENTRE COLUMN



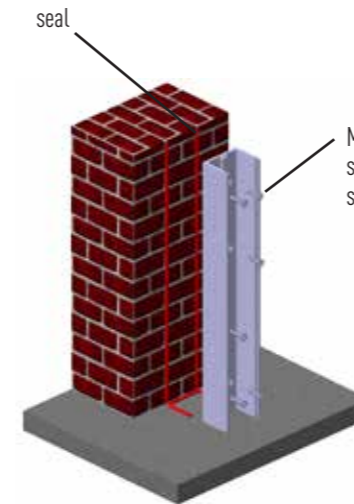
IN THE REVEAL



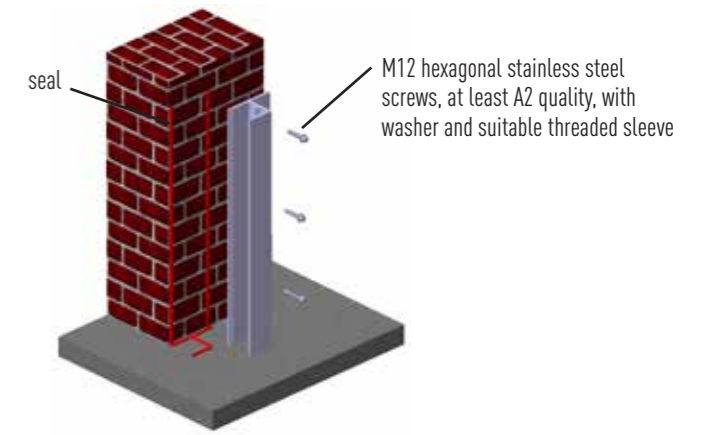
IN THE REVEAL (FLUSH)



INSTALLING THE PROFILES



INSTALLING THE U-PROFILE

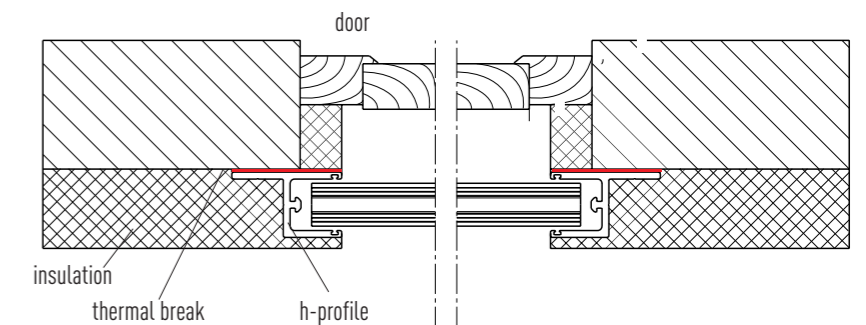


INSTALLING THE h-PROFILE

INSTALLING WHERE THERE IS FULL THERMAL INSULATION

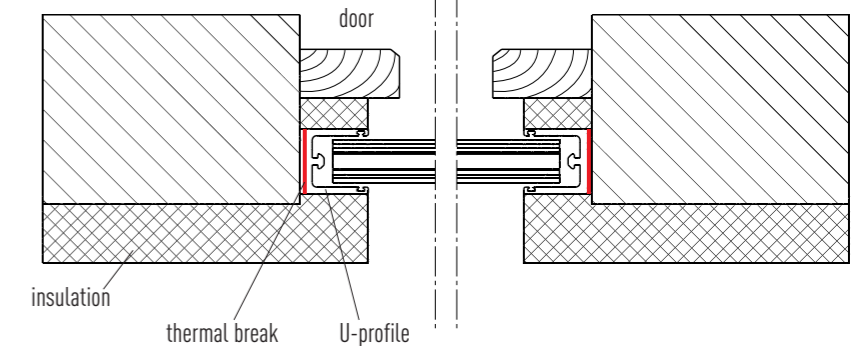
INSTALLING THE h-PROFILE IN FRONT OF/BEHIND THE REVEAL

- ! Remove the insulation.
- ! Install the base profile.
- ! Replace the insulation.
- ! Smooth down the material and plaster.



INSTALLING THE U-PROFILE IN THE REVEAL

- ! Cut a slit in the insulation.
- ! Mount the U-profile and seal with Thermostop if necessary.
- ! When the barrier profiles are not in use, the slit is covered with the cover profile.



TECHNICAL DATA

BARRIER PANELS	50-mm SYSTEM	80-mm SYSTEM
Panel thickness	50 mm	80 mm
Weight/meter	5.60 kg / 4.12 kg	6.97 kg / 7.78 kg
Height of barrier panels	150 mm / 200 mm	200 mm
Seam	15 mm	15 mm

CENTRE COLUMN	SMALL	SMALL	LARGE	VARIABLE
Diameter	140 mm	140 mm	186 mm	186 mm
Height	750-2,150 mm	750-2,150 mm	750-2,150 mm	750-2,150 mm

GROUND SLEEVE	SMALL	SMALL	LARGE	LARGE
Diameter	170 mm	170 mm	230 mm	230 mm
Depth	420 mm	420 mm	420 mm	420 mm

COMPRESSION CLAMP	
Length	160 mm
Weight	0.45 kg



STORAGE

For optimum storage of the flood protection system, we recommend using PREFA's aluminium wall brackets. The barrier panels can be stacked on the wall brackets with the bottom barrier panel at the top of the stack to ensure quick mounting of the system in the event of a flood.

Never allow aluminium to come into contact with aluminium. Use cardboard, plastic or chipboard separating strips to protect the barrier panels from cold welding caused by moisture ingress.

The compression clamps can be stored in an additional compartment or on top of the barrier panels.

MAINTENANCE

Regularly maintain your flood protection system by assembling and disassembling it at least once a year. This will allow you to make sure that you remember how to set it up while also checking that the system is complete and in good working order. After use, clean all seals and treat with silicone spray. Replace any damaged seals.

LIABILITY

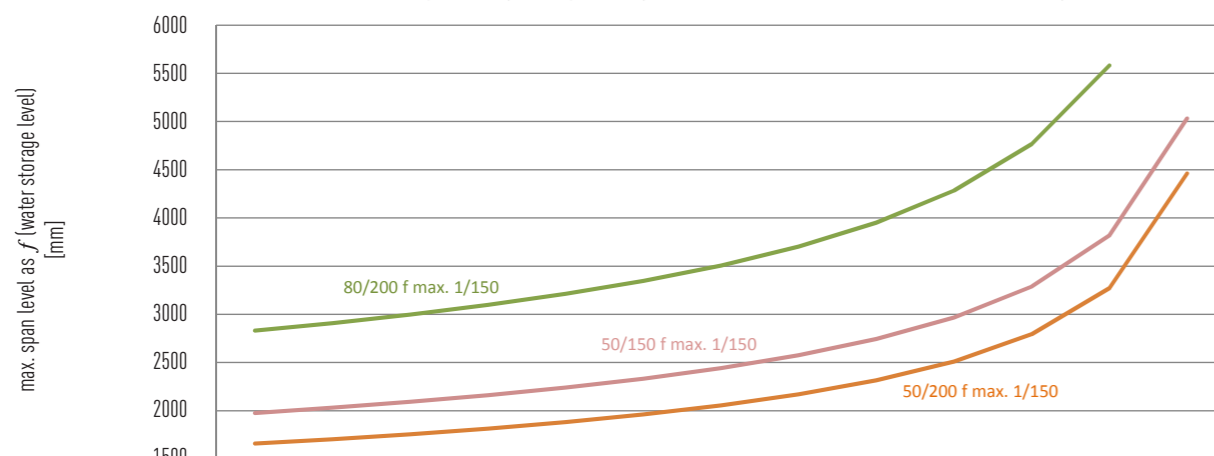
PREFA assumes no liability in the event of incorrect installation and/or maintenance, or if accessories are used that are not original parts. PREFA's liability is also excluded for structural defects, in particular non-compliant watertight building materials used on the building, hydrostatic forces and improper handling of components, including damage caused by the mechanical influence of persons or objects. PREFA cannot guarantee absolute protection from damage.

STRUCTURAL SUITABILITY

Caution! Prior to installing the PREFA flood protection barrier panel system, first make sure that the building is structurally suitable for mounting the system.

If buildings are protected from flooding by a flood protection system and therefore the flood water cannot flow freely, the water can exert hydrostatic pressure on the building in the form of uplift forces (buoyancy) caused by vertical water pressure and/or pushing forces exerted by horizontal water pressure. Questions regarding whether, in the event of a flood, a building is likely to be subjected to uplift forces or lateral water pressure and whether or not an area should be allowed to flood, can only be answered on a case-by-case basis by a structural engineer. PREFA assumes no liability for damage caused by hydrostatic forces.

theoretical span length depending on maximum deflection f (water storage level)



water storage level [mm]	2630	2430	2230	2030	1830	1630	1430	1230	1030	830	630	430
80/200 f max. 1/150	2831	2909	2998	3098	3213	3347	3507	3703	3951	4284	4766	5581
50/200 f max. 1/150	1659	1705	1757	1816	1883	1962	2055	2170	2316	2510	2793	3271
50/150 f max. 1/150	1977	2031	2092	2161	2241	2333	2442	2576	2744	2968	3289	3817
Number of barrier panels [200 mm]	13	12	11	10	9	8	7	6	5	4	3	2



**THE ROOF
AS STRONG AS A BULL!**

THE PREFA GROUP

AUSTRIA 3182 Marktl/Lilienfeld
T + 43 2762 502-0, **E** office.at@prefa.com

GERMANY 98634 Wasungen
T + 49 36941 785-0, **E** office.de@prefa.com

SWITZERLAND 8800 Thalwil
T + 41 71 952 68 19, **E** office.ch@prefa.com

ITALY 39100 Bolzano
T + 39 0471 068680, **E** office.it@prefa.com

FRANCE 73190 Challes-les-Eaux
T + 33 4 79 44 84 58, **E** office.fr@prefa.com

THE CZECH REPUBLIC 19300 Prague
T + 420 234 496 501, **E** office.cz@prefa.com

HUNGARY 2040 Budaörs
T + 36 23 511-670, **E** office.hu@prefa.com

POLAND 02-295 Warsaw
T + 48 22 720 62 90, **E** office.pl@prefa.com

SWEDEN 23291 Arlöv
T + 46 10 498 66 60, **E** office.se@prefa.com

www.prefa.com

ADVANTAGES OF THE ROBUST PREFA FLOOD PROTECTION SYSTEM MADE OF ALUMINIUM

- ! **READY FOR USE AT ALL TIMES**
- ! **QUICK AND EASY ASSEMBLY**
- ! **LIGHTWEIGHT**
- ! **EASY TO STORE**

 **Europaverband
Hochwasserschutz e.V.**[®]



THE PREFA GROUP IS REPRESENTED IN THE FOLLOWING COUNTRIES:

Austria, Germany, Switzerland, Italy, France, Belgium, the Netherlands, Luxembourg, Denmark, Sweden, Norway, the Czech Republic, Slovakia, Hungary, Poland, Slovenia, Croatia, Estonia, Latvia, Lithuania, Russia, Great-Britain

YOUR PREFA FLOOD PROTECTION SYSTEM DISTRIBUTOR:

Photos: PREFA

Subject to technical modifications and printing errors. Printed colours may vary from the original material. 06/2016 | MFG | AM